

Section 4

SKETCHES OF STOWAGE DEVICES FOR DAMAGE CONTROL EQUIPMENT

- **Adjustable Shelves**
- **Brackets**
- **Lockers**
- **CBR-D IPE Stowage Racks and Hooks**
- **MCU-2P Stowage Racks and Hooks**

DAMAGE CONTROL EQUIPMENT STOWAGE SKETCHES

SECTION 4 SKETCH NO.	TITLE OF SKETCH
001	Adjustable Shelves, Version 1
002	Adjustable Shelves, Version 2
003	AFFF Stowage Rack (5 Gal Can), Version 1
004	AFFF Stowage Rack (5 Gal Can), Version 2
005	AFFF Stowage Rack (5 Gal Can), Version 3
006	Box Patch Stowage Rack for Assemblies 1, 2 and 3
007	CBR Equipment Stowage Locker
008	Casualty Power Cable Stowage Rack
009	Damage Control Equipment Stowage (Large) Grating
010	Damage Control Equipment Stowage (Spring Clips)
011	Damage Control Equipment Stowage Support Brackets
012	Damage Control Locker, Various Equipment
013	Damage Control Locker, Various Equipment
014	Damage Control Locker, Various Equipment
015	Damage Control Locker, Various Equipment
016	Damage Control Locker, Various Equipment
017	Damage Control Locker, Various Equipment
018	Damage Control Locker, Various Equipment
019	Damage Control Locker, Various Equipment
020	Damage Control Locker, Various Equipment
021	Dewatering Kit Stowage Locker
022	Eductor, 1 ½" Vertical Stowage Bracket
023	Eductor, 1 ½" Vertical Stowage Rack
024	Eductor, 2 ½" Peri-Jet Horizontal Stowage
025	Eductor, 2 ½" Peri-Jet Vertical Stowage Rack
026	Eductor/Peri-Jet (1 ½"/2 ½") Vertical Stowage Rack
027	Fan Stowage Tube Axial, BHD Mounted Grating
028	Fan Stowage Red Devil, BHD Mounted Grating
029	Fan Stowage Red Devil, BHD/DK Mounted Plate
030	Fan Stowage Tube Axial, BHD/DK Mounted Plate

SECTION 4 SKETCH NO.	TITLE OF SKETCH
031	Fan Stowage Tube Axial, BHD/DK Mounted Plate
032	Fan Stowage Water Driven, BHD Mounted Grating
033	Fan Stowage Water Driven, Deck Mounted Plate
034	Fan Stowage Water Driven BHD/DK Mounted Plate
035	Fire Fighters' Boot Stowage Rack, Version 1 (Locker Mounted)
036	Fire Fighters' Boot Stowage Rack, Version 2 (Deck Mounted)
037	Fire Fighters' Boot Stowage Rack, Version 3 (Beam Mounted)
038	Fire Fighters' Boot Stowage (BHD Mounted) Version 4
039	Fire Fighters' Ensemble Coverall Stowage Hanger Bar, Version 1
040	Fire Fighters' Ensemble Coverall Stowage (Hook) Version 2
041	Fire Fighters' Ensemble Coverall Stowage Lockers, Version 3
042	Fire Fighters' Helmet Stowage (Butter Fly Clip)
043	Fire Fighters' Helmet Stowage Rack, Version 1
044	Fire Fighters' Helmet Stowage Rack, Version 2
045	Fire Fighting Equipment & Proximity Suit Stowage Locker
046	Fire Hose Hanger Stowage Rack
047	Gas Free Engineer Equipment Stowage Locker, Version 1
048	Gas Free Engineer Equipment Stowage Locker, Version 2
049	General Quarters Equipment Stowage, Version 1
050	General Quarters Equipment Stowage Locker, Version 2
051	General Quarters Equipment Stowage, Version 3
052	Hooks, Miscellaneous Damage Control Stowage
053	Hose Stowage (Cradle) (one 1 ½", one 2 ½, one 4" hose) Version 1
054	Hose Stowage (Cradle) Version 2
055	Hose Stowage Bracket
056	Hose Stowage Rack, One - 4" x 10' Disch. Hose
057	Hose Stowage Rack, One - 2" x 20' (Exhaust Hose, Rubber P250), Two - 2 ½" x 50' Fire Hose
058	Hose Stowage Rack, Three - 3" x 10' Suct. Hose (P250) or Four - 2 ½" x 10' Suct. Hose (Sub. Pmp)
059	Hose Stowage Rack, Two - 1 ½" x 50' Fire Hose
060	Hose Stowage Rack (Hard Hose Clips) 10' and 20' lengths

SECTION 4 SKETCH NO.	TITLE OF SKETCH
061	Hose Stowage Rack (Hard Suction) 3½" x 36" and 3½" x 84" lengths
062	Ladder, (6 Ft. Scaling) Stowage Brackets, Horizontal
063	Ladder, (6 Ft. Scaling) Stowage Brackets, Vertical
064	Miscellaneous Access Tool Stowage
065	NFTI Stowage Rack
066	OBA and OBA Canister Stowage Locker
067	OBA Canister Stowage Rack, Version 1
068	OBA Canister Stowage Rack, Version 2
069	OBA Stowage Locker, Single Unit
070	OBA Stowage Rack, Version 1
071	OBA Stowage Rack, Version 2
072	P-250 Equipment Accessory Stowage
073	P-250, MOD2 Propane Cartridge Stowage
074	PECU Rod Stowage
075	PECU Stowage Rack Foundation
076	Personnel Protection Equipment Stowage, (Built in Cage)
077	Personnel Protection Equipment Stowage, Version 1 (3 FFE)
078	Personnel Protection Equipment Stowage, Version 2 (4 FFE)
079	PHARS Stowage Brackets
080	Plate Patch Stowage Rack
081	Portable Sub-Pump Stowage
081A	Portable Sub-Pump Stowage, Single Unit
081B	Portable Sub-Pump Stowage, Double Unit
082	Rescue and Assistance Chest
083	Shoring Metal Stowage Rack, Horizontal, Version 1
084	Shoring Metal Stowage Rack, Horizontal, Version 2
085	Shoring Metal Stowage Rack, Vertical, Version 3
086	Shoring Metal Stowage Rack, Vertical, Version 4
087	Shoring Metal Stowage Rack, Vertical, Version 5
088	Shoring Wooden, Stowage Rack (4 pcs) with Shoring Batten Stowage
089	Shoring Wooden, Stowage Rack (9 pcs) with Shoring Batten Stowage

DAMAGE CONTROL EQUIPMENT STOWAGE SKETCHES

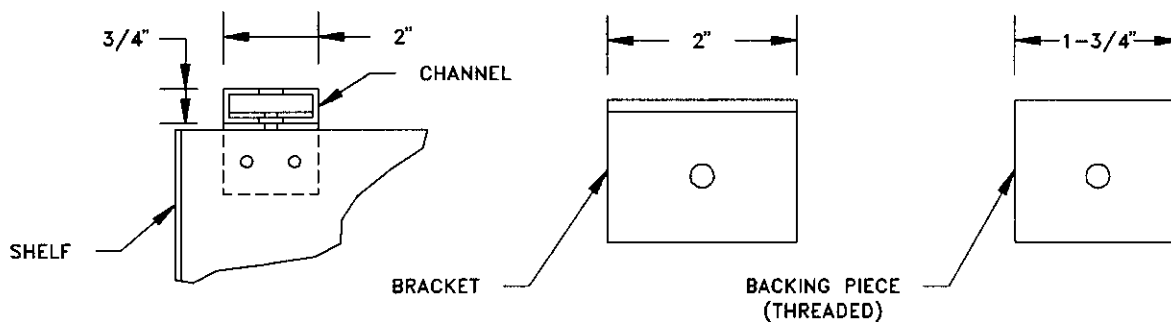
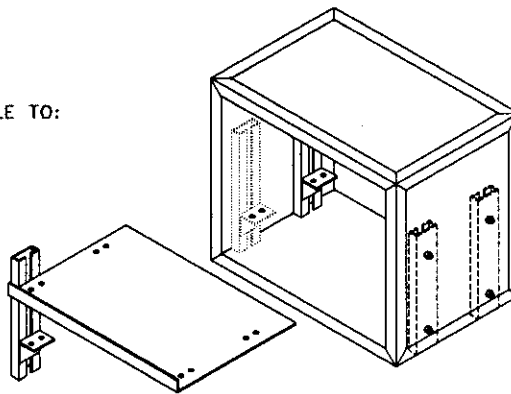
SECTION 4 SKETCH NO.	TITLE OF SKETCH
090	Smoke Curtain Hooks
091	Smoke Curtain Stowage Bracket
092	Smoke Curtain Stowage Locker
093	Smoke Generator Stowage Rack
094	Vari-Nozzle Holder, 1 ½" and 2 ½"
095	Vent Hose Stowage, BHD Mounted, Vertical, Version 1
096	Vent Hose Stowage, Vertical, Version 2
097	Welding Machine Stowage Rack
098	CBR-D IPE Stowage Rack, Track System – Vertical Mount (Deck to Overhead)
099	CBR-D IPE Stowage Rack, Track System – Horizontal Mount (Bulkhead)
100	CBR-D IPE Stowage Hook
101	MCU-2P Stowage Rack
102	MCU-2P Stowage Hook

ADJUSTABLE SHELF CHANNEL SYSTEM

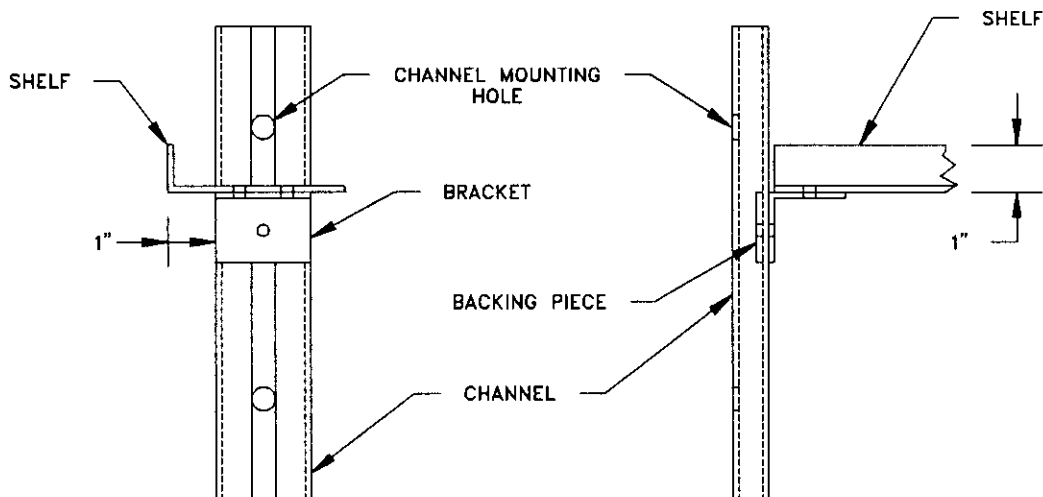
1. CHANNEL SYSTEM TO BE EQUAL TO THOSE AVAILABLE TO:

GRUMMAN EMERGENCY PRODUCTS, INC.
 1723 SEIBEL DR., NE
 ROANOKE VA 24012-5688
 (703) 982-6666 FAX: (703) 985-2280

2. INSTALL FOUR CHANNELS, TWO ON EACH SIDE LEAVING FOUR INCHES CLEARANCE AT TOP FOR INSERTING SHELF AND BRACKETS.
3. INSTALL BRACKETS AND BACKING PIECES (4).
4. REMOVE BRACKETS AND SHELF; DRILL HOLES IN SHELF; BOLT SHELF TO BRACKETS; INSTALL SHELF IN CABINET.



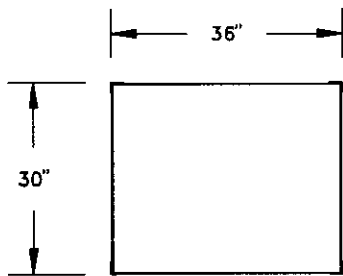
PLAN



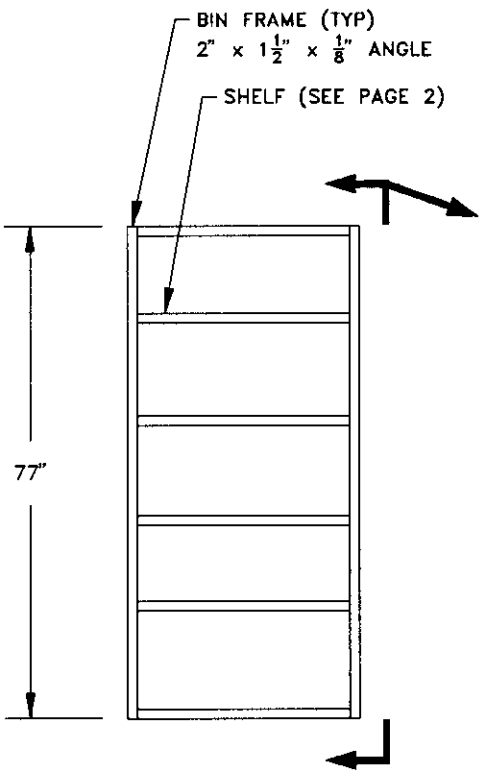
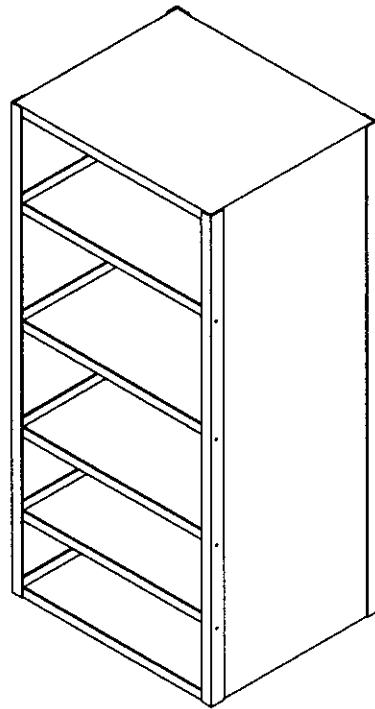
ELEVATION

SIDE VIEW

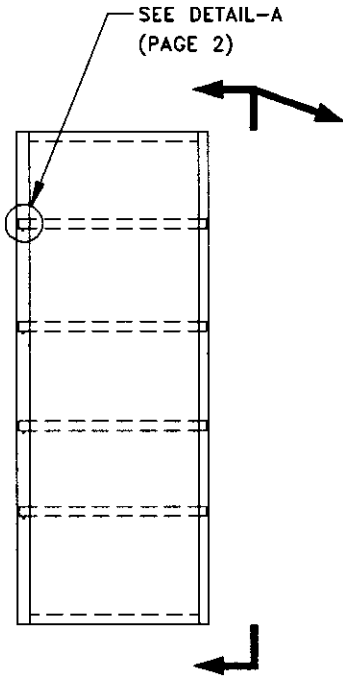
DAMAGE CONTROL EQUIPMENT STOWAGE SKETCH # 001
ADJUSTABLE SHELVES
VERSION 1



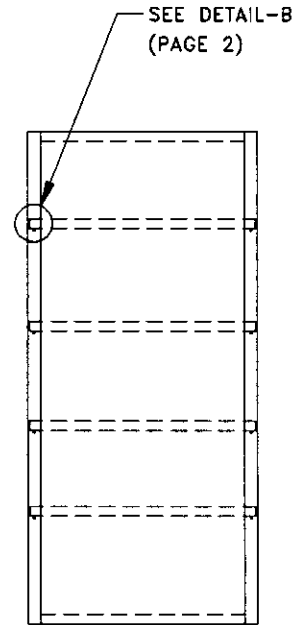
PLAN



ELEVATION

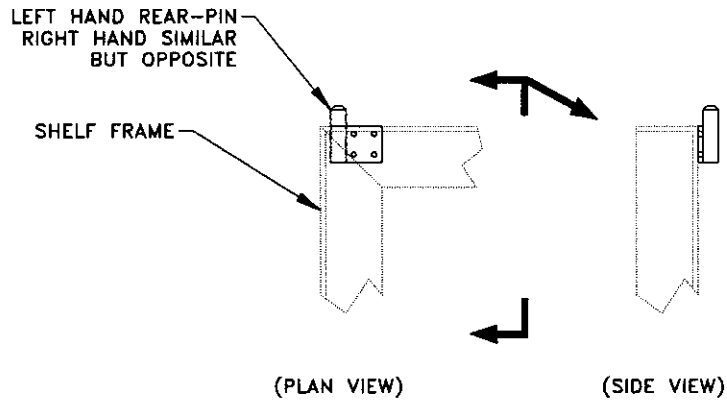
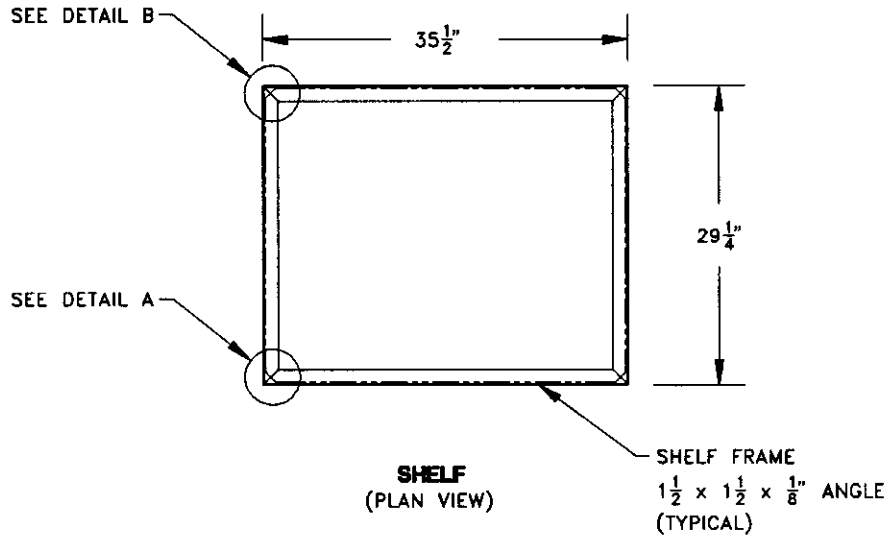


SIDE VIEW

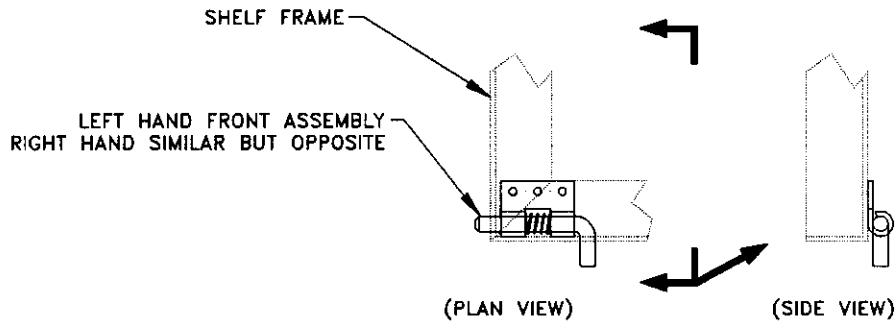


BACK VIEW

DAMAGE CONTROL EQUIPMENT STOWAGE SKETCH # 002
ADJUSTABLE SHELVES, VERSION 2
(PAGE 1 OF 2)

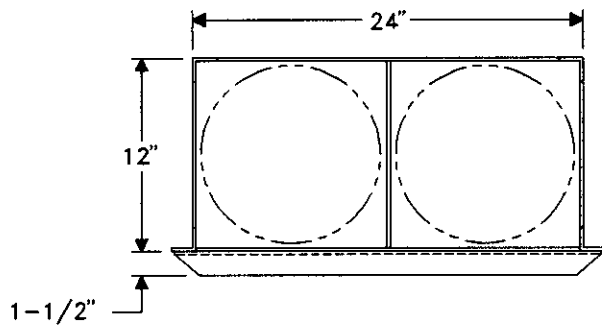


DETAIL B

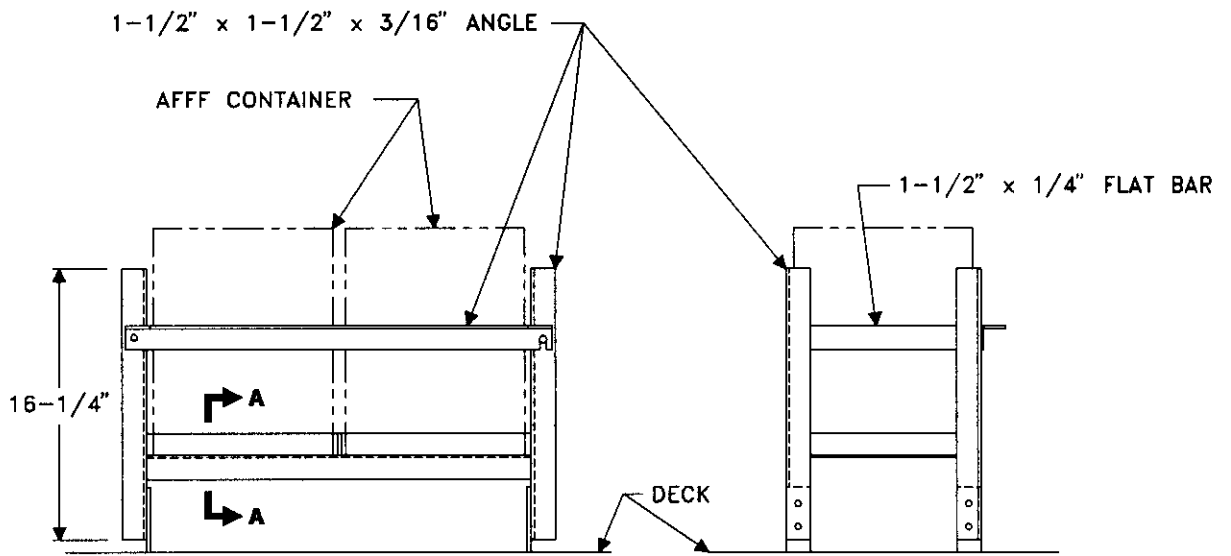


DETAIL A

DAMAGE CONTROL EQUIPMENT STOWAGE SKETCH # 002
ADJUSTABLE SHELVES, VERSION 2
(PAGE 2 OF 2)

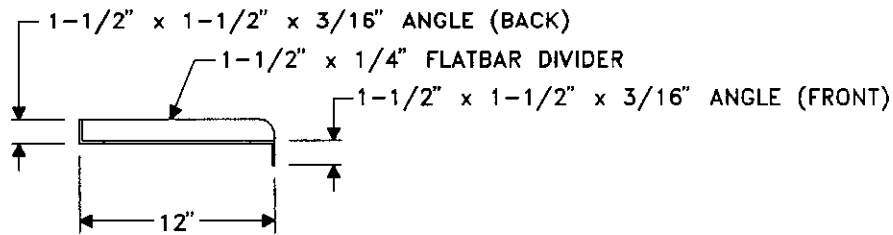


PLAN



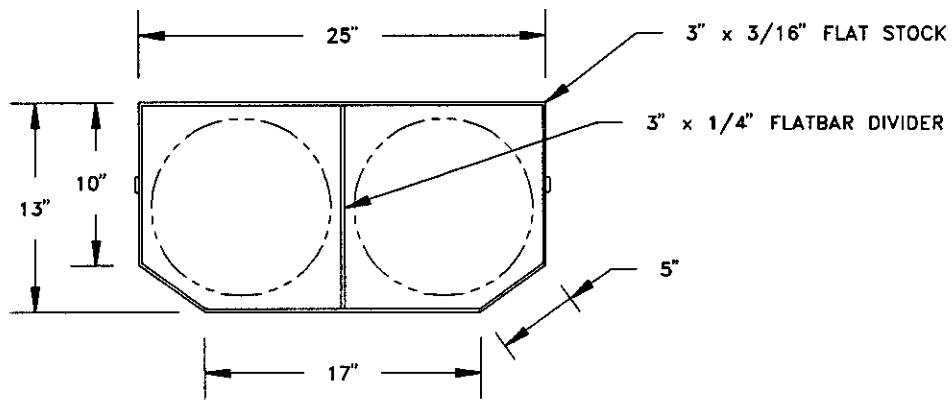
ELEVATION

SIDE VIEW

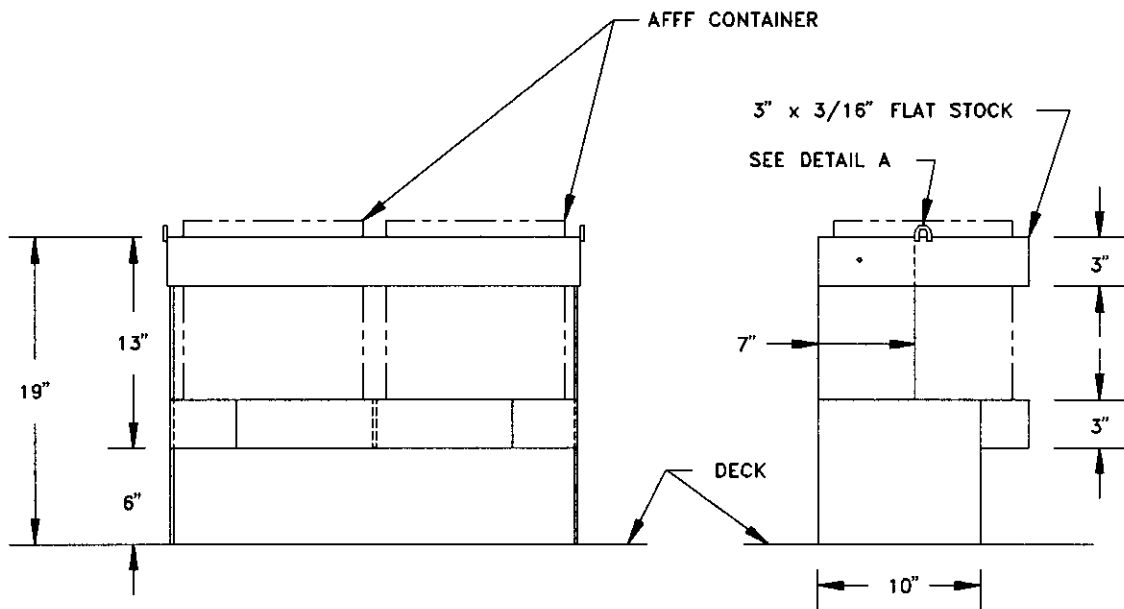


SECTION A-A

DAMAGE CONTROL EQUIPMENT STOWAGE SKETCH # 003
AFF (5 GAL CAN) STOWAGE RACK
VERSION 1

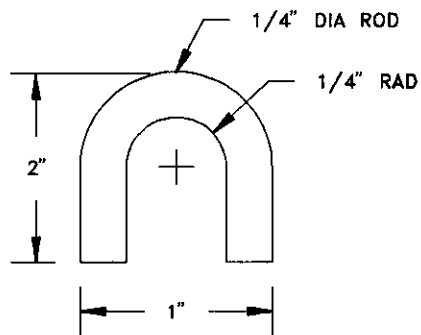


PLAN



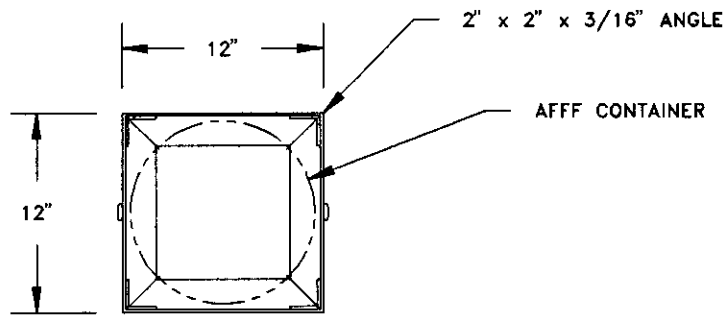
ELEVATION

SIDE VIEW

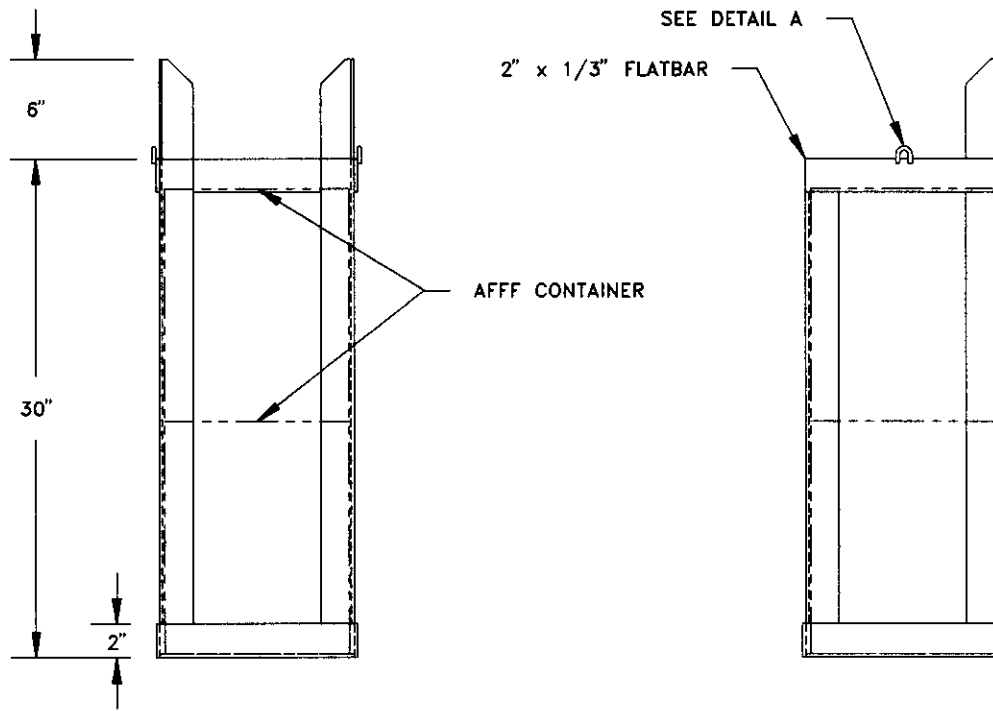


DETAIL A

DAMAGE CONTROL EQUIPMENT STOWAGE SKETCH # 004
AFF (5 GAL CAN) STOWAGE RACK
VERSION 2

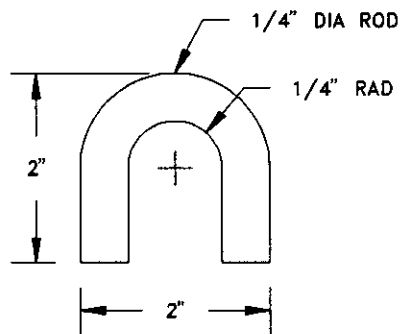


PLAN



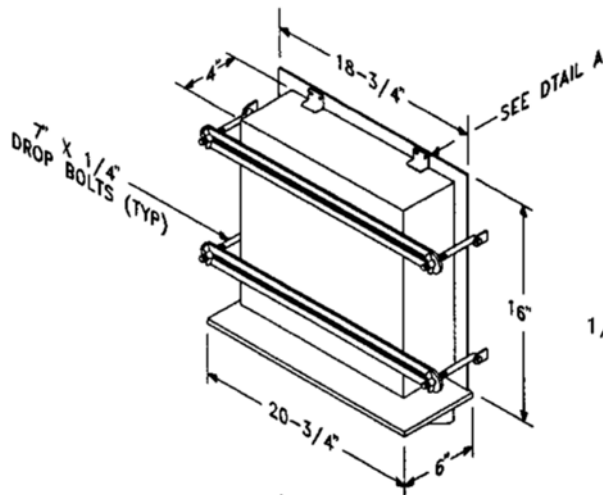
ELEVATION

SIDE VIEW



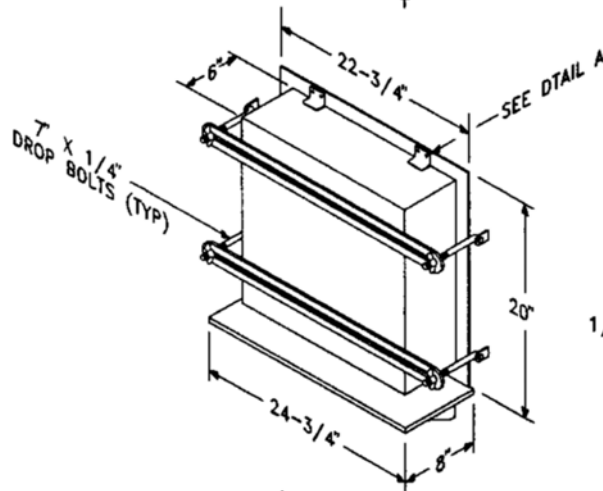
DETAIL A

DAMAGE CONTROL EQUIPMENT STOWAGE SKETCH # 005
AFF (5 GAL CAN) STOWAGE RACK
VERSION 3



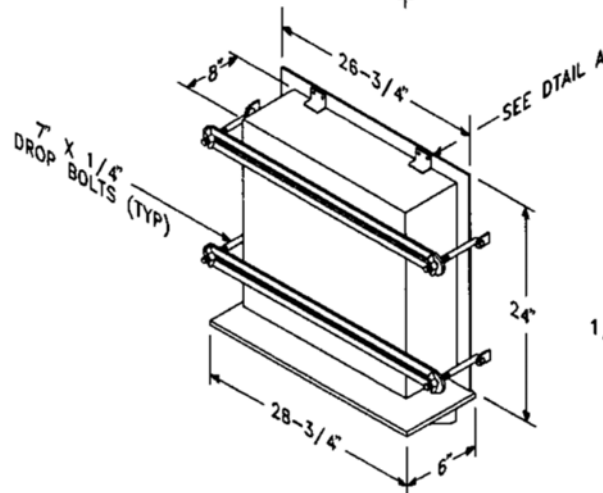
ASSEMBLY 1

STOWAGE RACK FOR
4" X 16" X 18-3/4"
1/8" STEEL PLATE BOX PATCH



ASSEMBLY 2

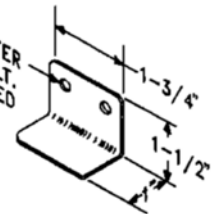
STOWAGE RACK FOR
6" X 20" X 22-3/4"
1/8" STEEL PLATE BOX PATCH



ASSEMBLY 3

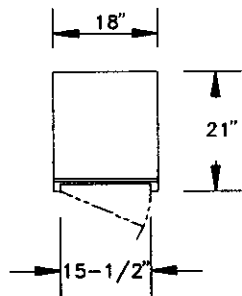
STOWAGE RACK FOR
8" X 24" X 26-3/4"
1/8" STEEL PLATE BOX PATCH

SIZE HOLE DIAMETER
FOR RIVET OR BOLT.
NO HOLES REQUIRED
IF WELDED.

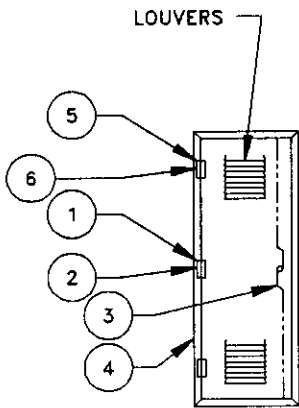


DETAIL A

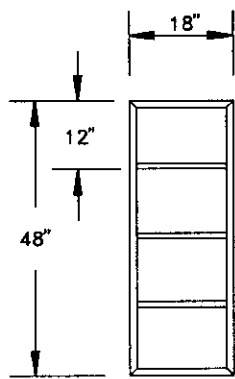
DAMAGE CONTROL EQUIPMENT STOWAGE SKETCH # 006
BOX PATCH STOWAGE RACKS FOR ASSEMBLIES 1, 2 AND 3



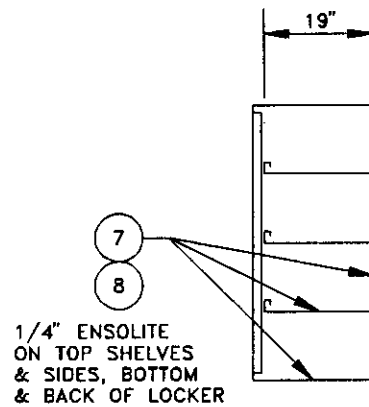
PLAN



ELEVATION



**ELEVATION
(NO DOORS)**



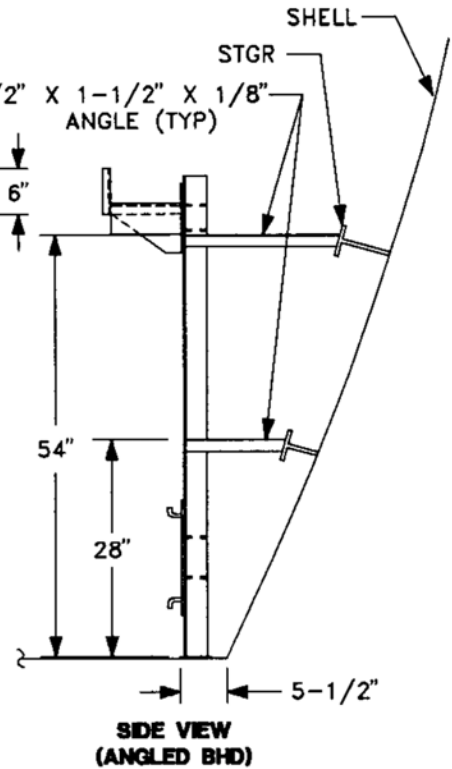
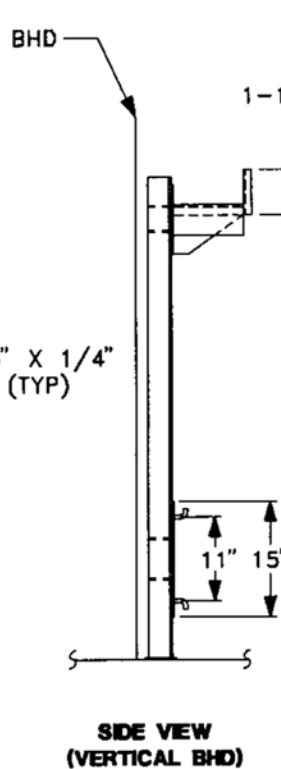
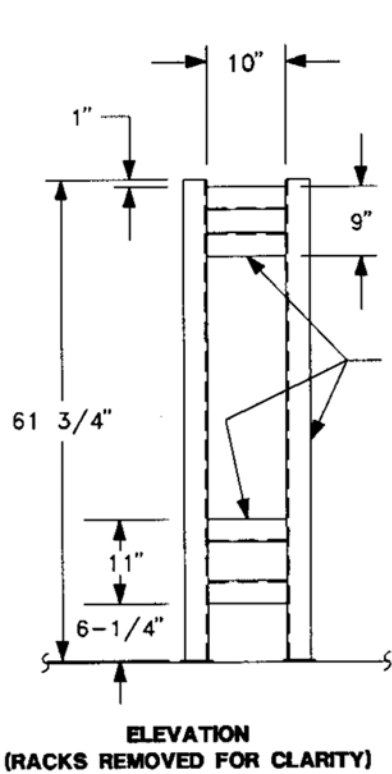
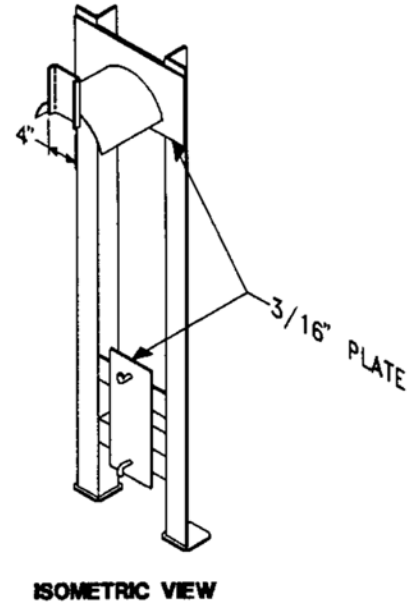
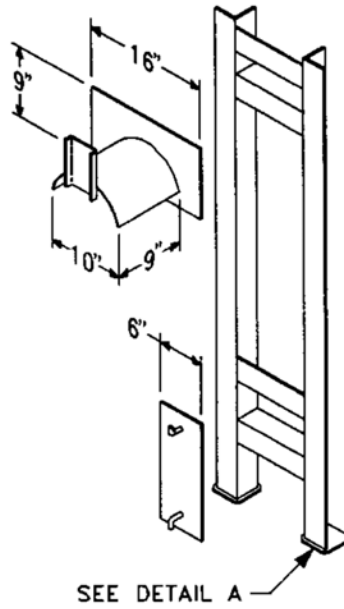
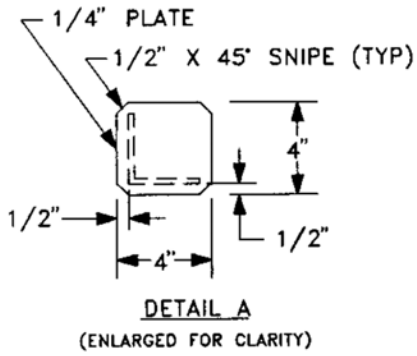
SIDE VIEW

DAMAGE CONTROL EQUIPMENT STOWAGE SKETCH # 007

CBR EQUIPMENT STOWAGE LOCKER

		LIST OF MATERIAL			
QTY	ASSY PART NO.	NAME	MATERIAL	REFERENCES	REMARKS
3	1	HINGE, 2" x 1-5/8"	STL CAD PLTD	NN STOCK 17-15-302	
3	2	ANTI-RATTLER	RUBBER PURE GUM		
1	3	LOCKING DEVICE	SEE DET DWG	ASSY65, REF 6	
1	4	LOCKER	SEE DET DWG	REF 5	
6	5	HUCK RIVET SELF PLUGGING BLIND NO. P-6-D	ALUMINUM		
6	6	HUCK COMMERCIAL LOCK BOLT NO. CLPB F6-2	ALUMINUM		
AS REQ'D	7	1/4" ENSOLITE	TY III RUBBER		MIL-P-15280
AS REQ'D	8	BONDING AGENT	CEMENT		MIL-A-24179

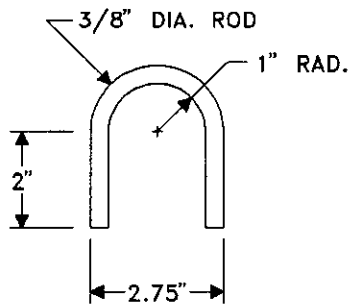
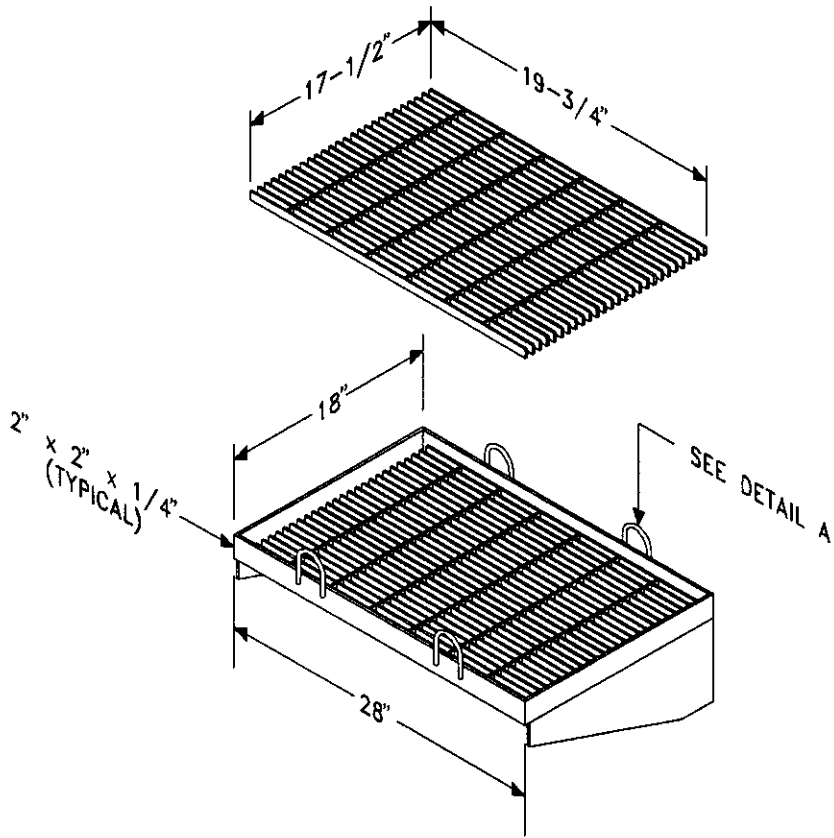
**DAMAGE CONTROL EQUIPMENT STOWAGE SKETCH # 007
 CBR EQUIPMENT STOWAGE LOCKER
 PAGE 2 OF 2**



NOTE: CAN BE INSTALLED AGAINST SHELL STRINGER.

DAMAGE CONTROL EQUIPMENT STORAGE SKETCH # 008
CASUALTY POWER CABLE STORAGE RACK
WITH VERTICAL AND ANGLED BULKHEAD STORAGE

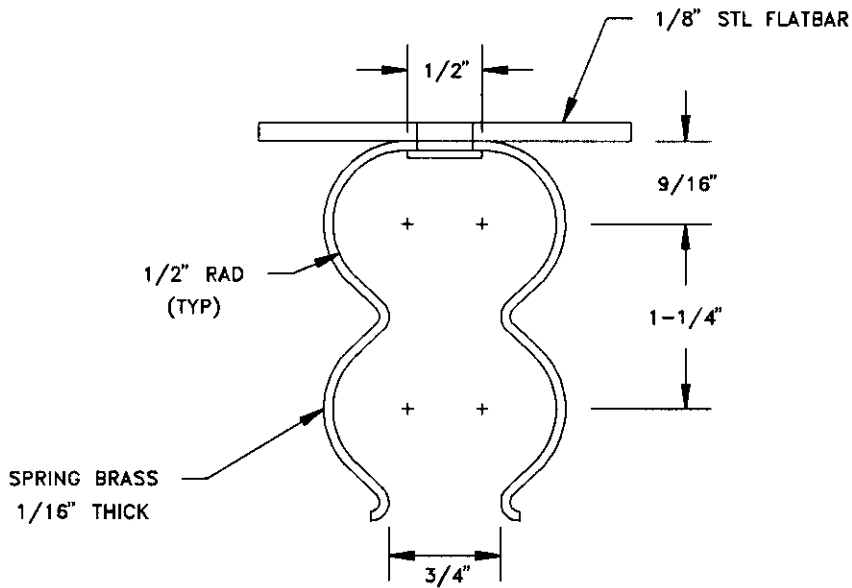
LARGE DC EQUIPMENT



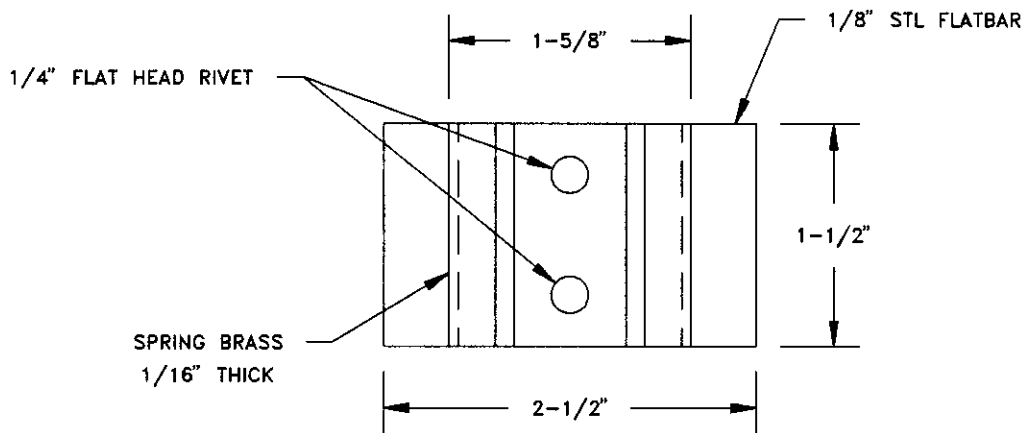
DETAIL A

DAMAGE CONTROL EQUIPMENT STOWAGE SKETCH # 009

DAMAGE CONTROL EQUIPMENT STOWAGE (LARGE) GRATING



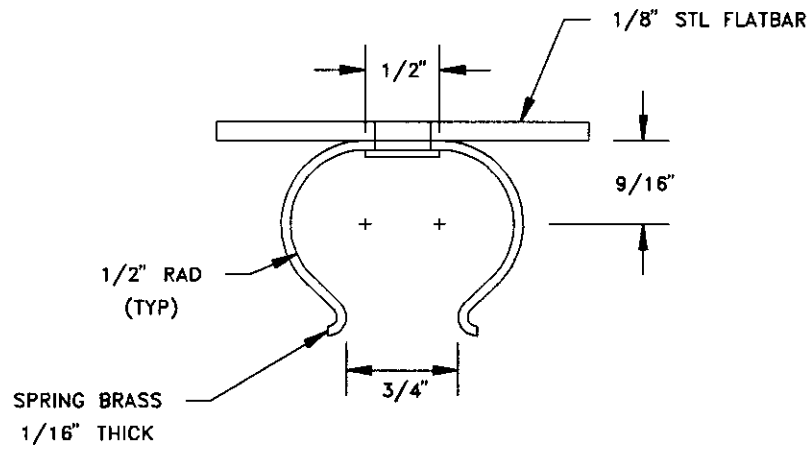
ELEVATION



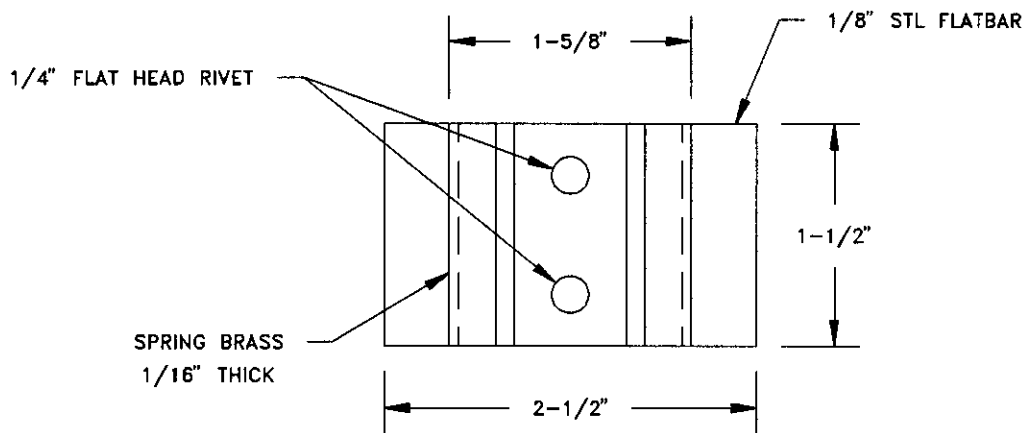
ELEVATION

SPRING CLIP FOR 2 AXES

DAMAGE CONTROL EQUIPMENT STOWAGE SKETCH # 010
DAMAGE CONTROL EQUIPMENT STOWAGE (SPRING CLIPS)
PAGE 1 OF 3



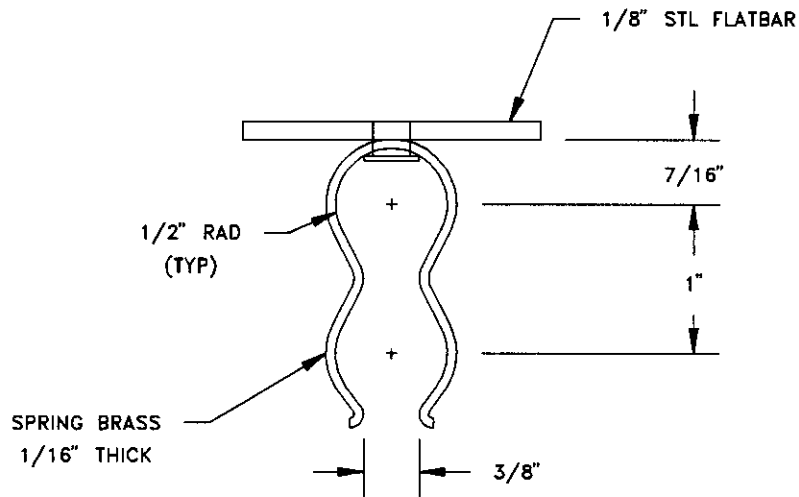
ELEVATION



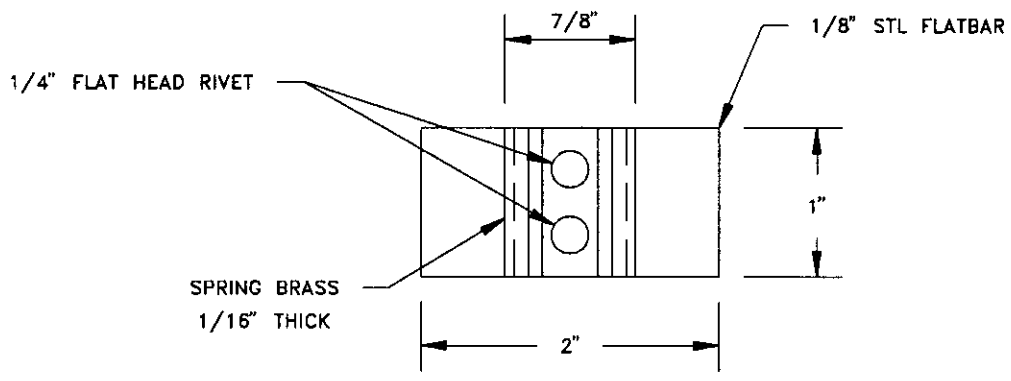
ELEVATION

SPRING CLIP

DAMAGE CONTROL EQUIPMENT STOWAGE SKETCH # 010
DAMAGE CONTROL EQUIPMENT STOWAGE (SPRING CLIPS)
PAGE 2 OF 3

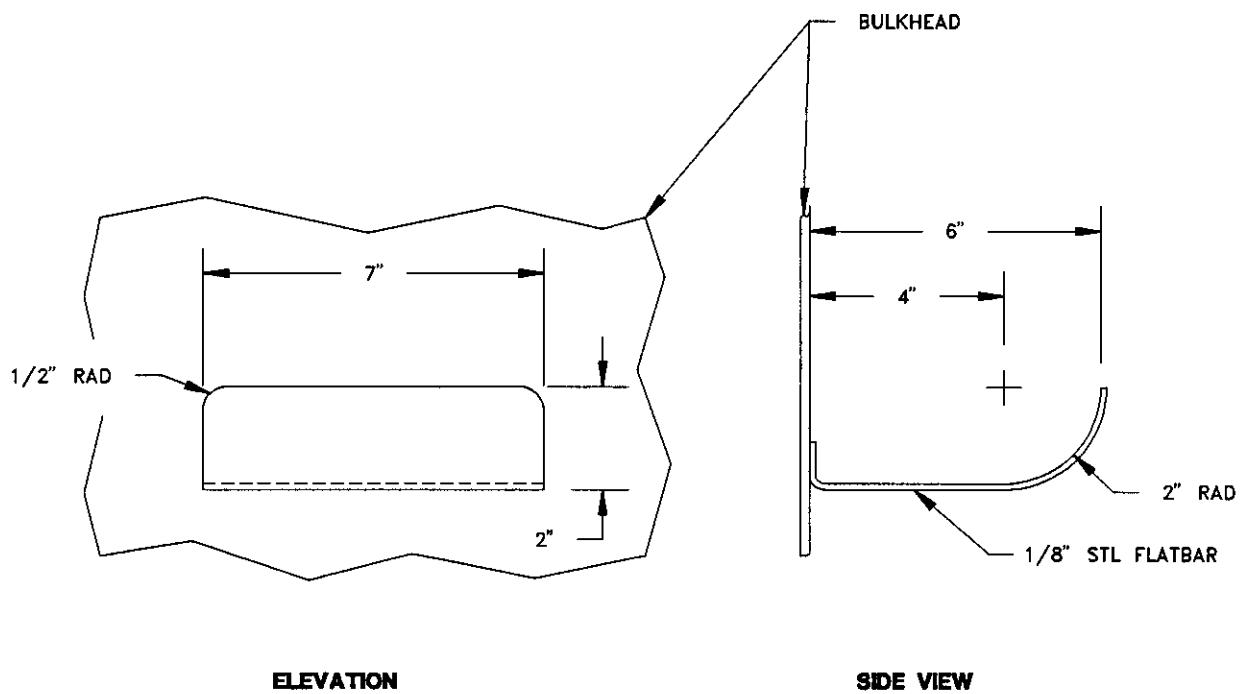


ELEVATION



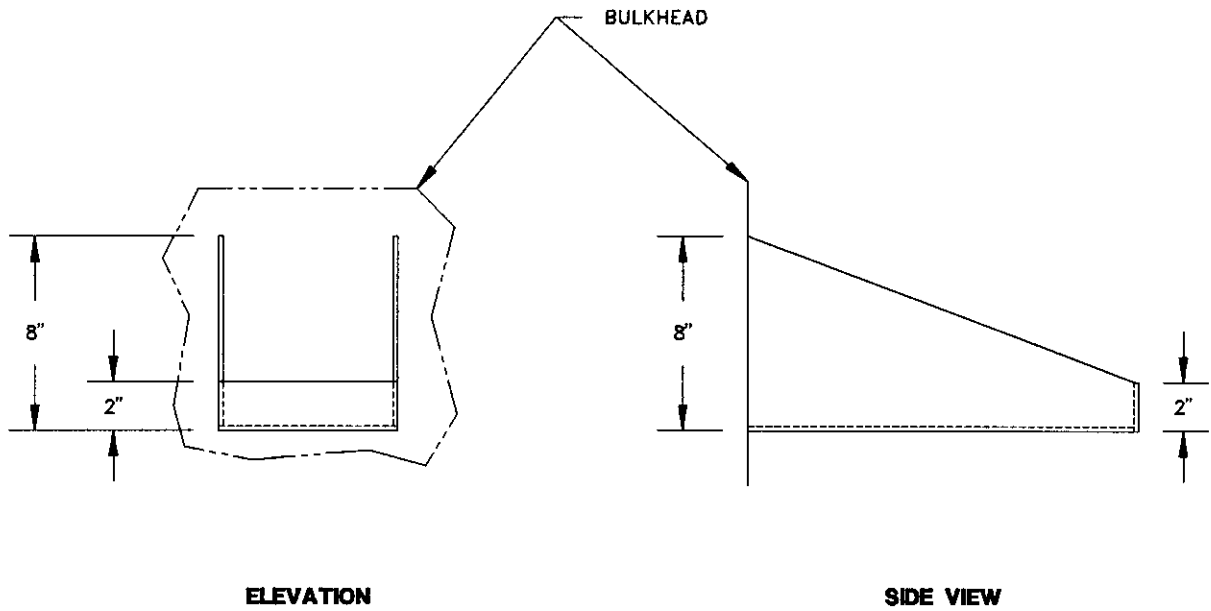
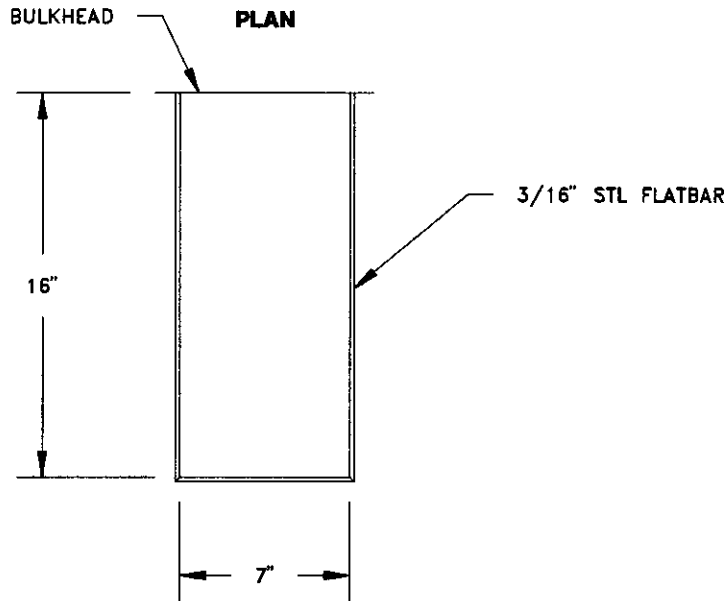
ELEVATION

SPRING CLIP FOR 2 WRECK BARS



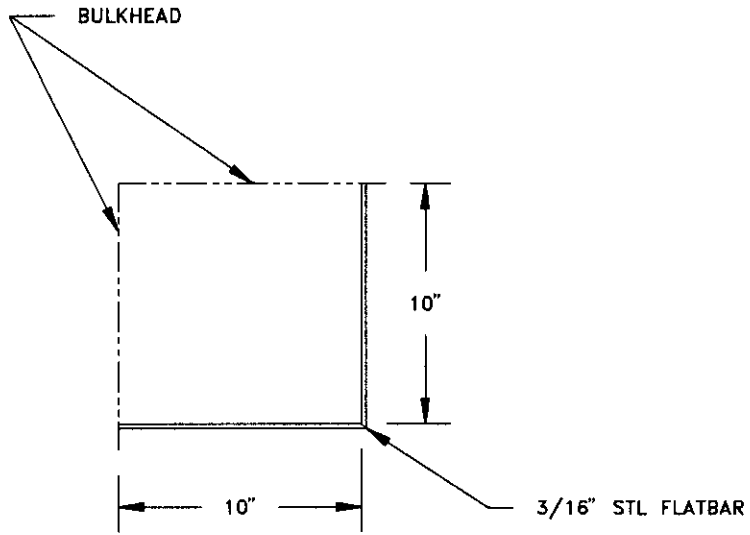
"L" SUPPORT

DAMAGE CONTROL EQUIPMENT STOWAGE SKETCH # 011
DAMAGE CONTROL EQUIPMENT STOWAGE SUPPORT BRACKETS
PAGE 1 OF 4

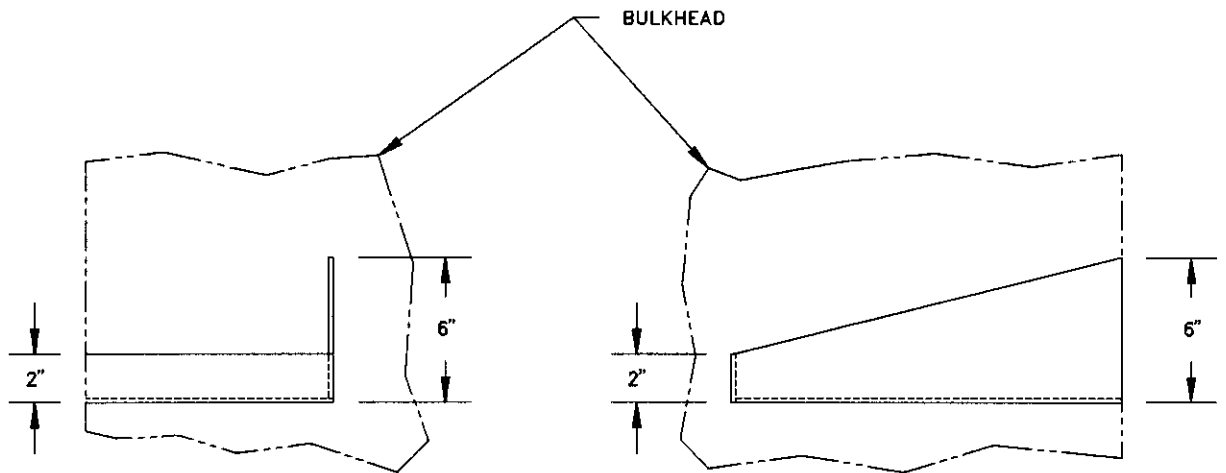


"P" SUPPORT

DAMAGE CONTROL EQUIPMENT STOWAGE SKETCH # 011
DAMAGE CONTROL EQUIPMENT STOWAGE SUPPORT BRACKETS
PAGE 2 OF 4



PLAN

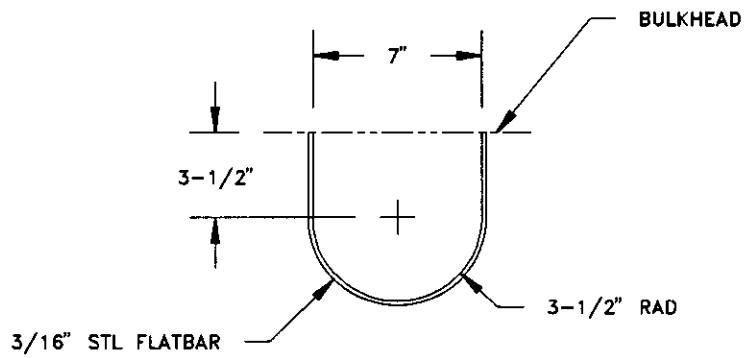


ELEVATION

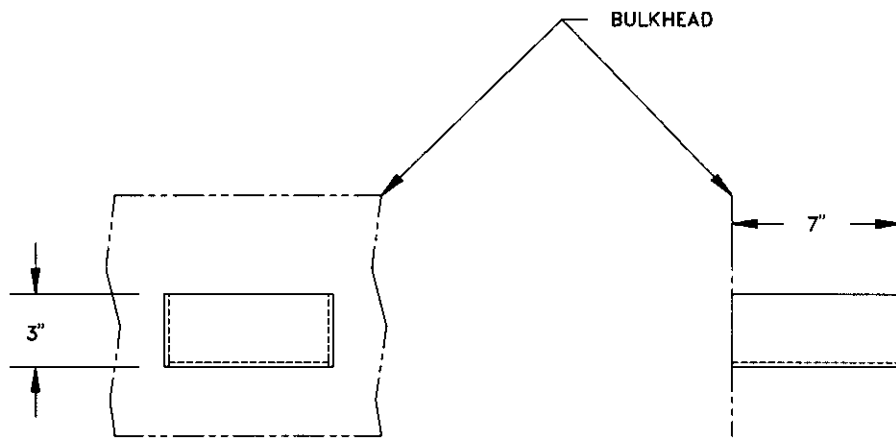
SIDE VIEW

"Q" SUPPORT

DAMAGE CONTROL EQUIPMENT STOWAGE SKETCH # 011
DAMAGE CONTROL EQUIPMENT STOWAGE SUPPORT BRACKETS
PAGE 3 OF 4



PLAN

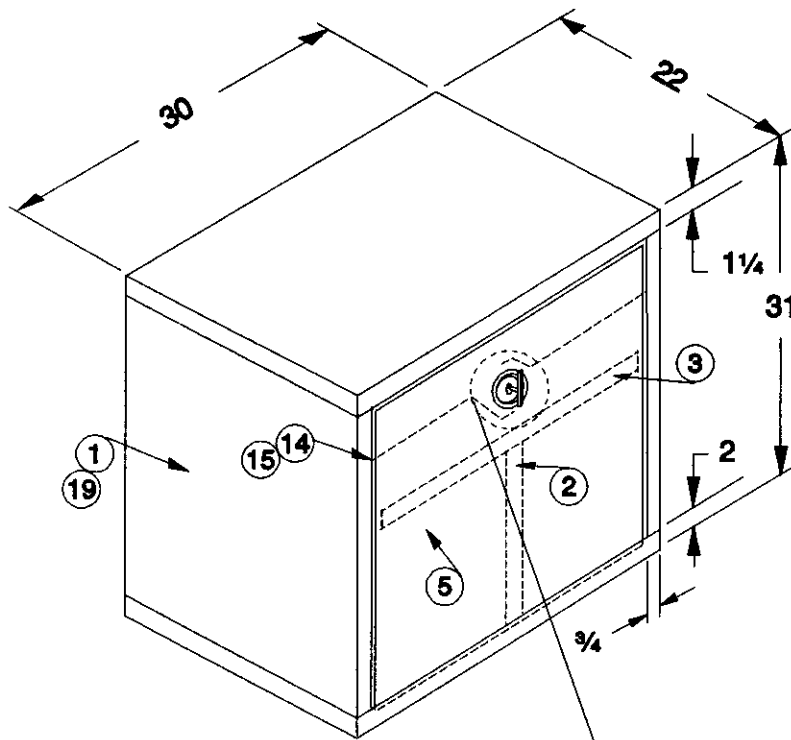


ELEVATION

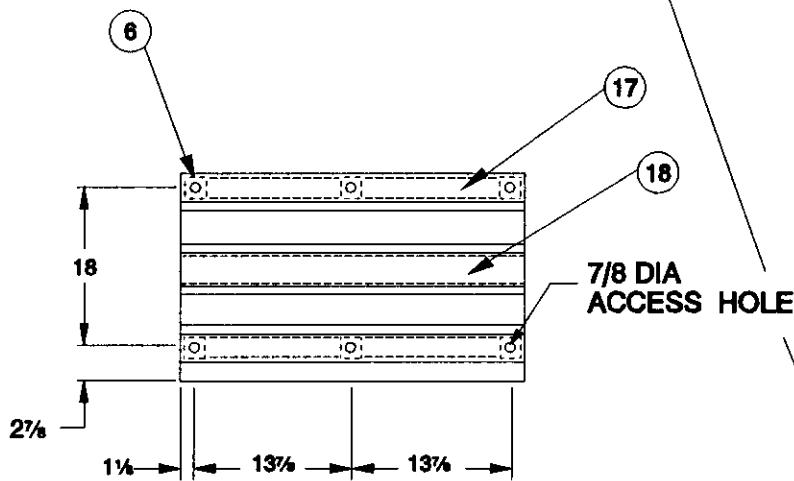
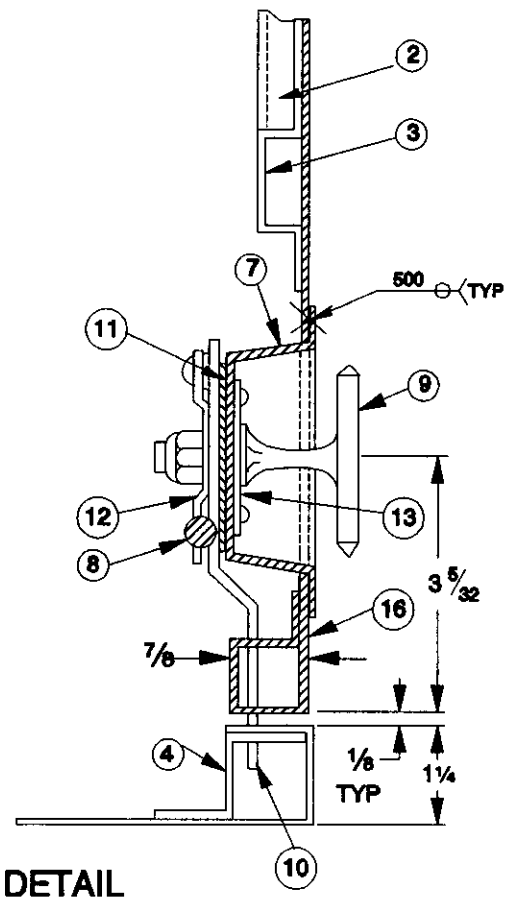
SIDE VIEW

"R" SUPPORT

DAMAGE CONTROL EQUIPMENT STOWAGE SKETCH # 011
DAMAGE CONTROL EQUIPMENT STOWAGE SUPPORT BRACKETS
PAGE 4 OF 4



SHIP LOOSE WITH EACH UNIT (20) (21) (22)



SECTION

DAMAGE CONTROL EQUIPMENT STOWAGE SKETCH #012

DAMAGE CONTROL LOCKER, VARIOUS EQUIPMENT

LIST OF MATERIAL

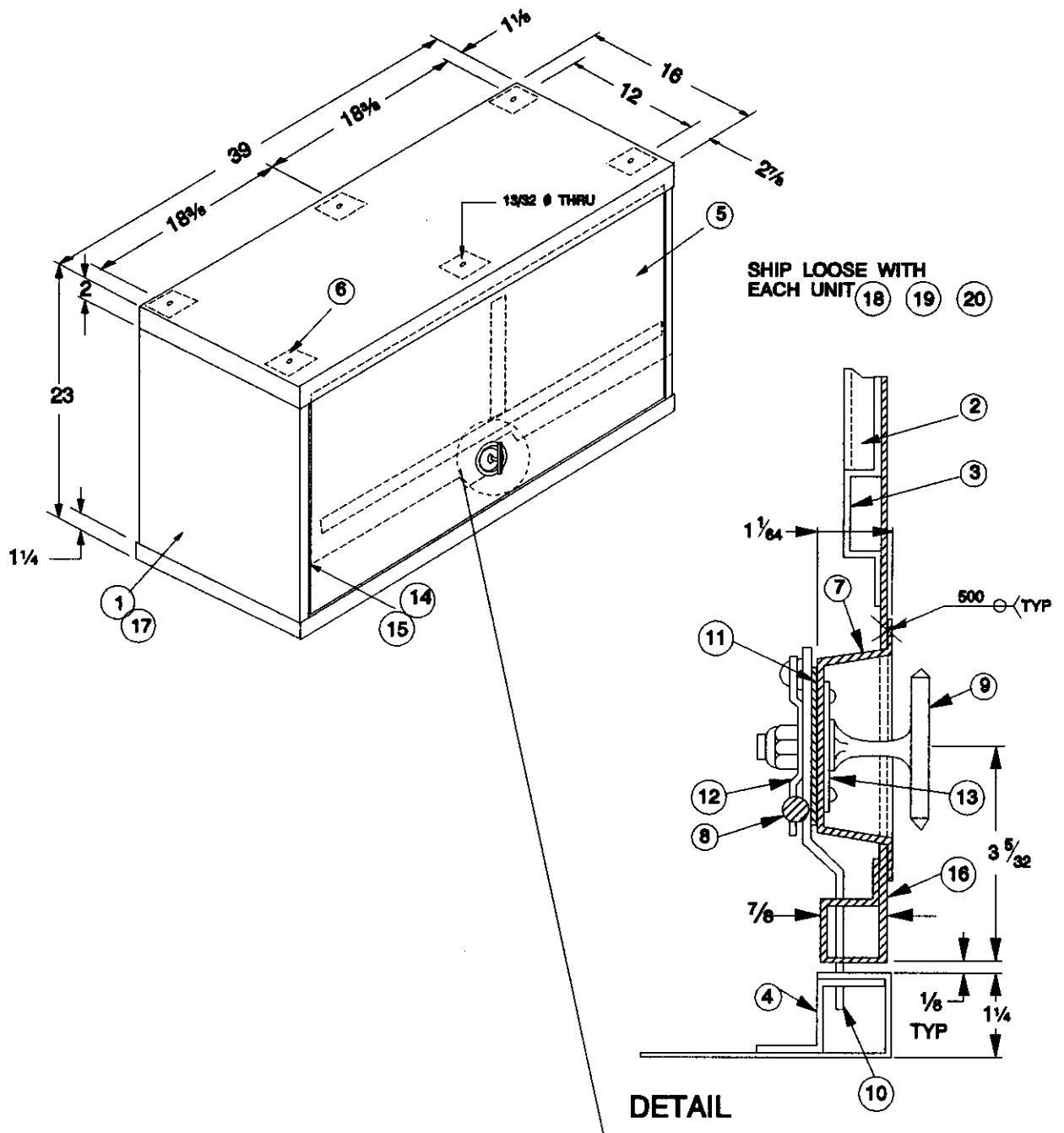
NO.	DESCRIPTION	Qty.	MATERIAL
1	LOCKER	1	.063 AL. 5052-H32
2	STIFFENER, DOOR, VERT	1	.063 AL. 5052-H32
3	STIFFENER, DOOR, HORZ	1	.063 AL. 5052-H32
4	STIFFENER, LOCKER	4	.063 AL. 5052-H32
5	DOOR	1	.050 AL 5052-H32
6	REINF. PAD 2X2	6	¼ THK ALUM.
7	RECESS CUP	1	.050 ALUM
8	LOCK ROD	2	5/16 Ø SPADE BOLT, STEEL
9	TEE HANDLE	1	S3200-860055, PC# 13
10	LKG DVC PLATE	1	11 GA CRES
11	LKG DVC CAM	1	12 GA CREW
12	LKG DVC STRAP	1	16 GA CRES
13	ESCUTCHEON	1	20 GA CRES
14	DOOR FERRULE	2	HEYCO 58-500-5
15	DOOR/FRAME FERRULE	4	HEYCO 58-500-6
16	STIFFENER DOOR	4	.050 ALUM 5052-H32
17	STIFFENER	2	.063 ALUM 5052-H32
18	STIFFENER	1	.063 ALUM 5052-H32
19	BUMPER	4	RUBBER
20	BOLT, H.HD. ⅜-16 1¼L	6	STEEL
21	NUT, SELF-LKG, ⅜-16	6	STEEL
22	WASHER, FLAT, ⅜ STD.	6	STEEL

GENERAL NOTES

1. UNIT APPROVED FOR GRADE "B" SHOCK SUPSHIP BATH APPROVAL SER# 250P/2614 DATED 26 MAR 1991.
2. FOR STOWAGE OF ANY ONE OF THE FOLLOWING DAMAGE CONTROL EQUIPMENT:
 - OBA CANISTER / 1 CARTON
 - LIFE JACKET
 - GAS MASK
 - GAS FREE EQUIPMENT
 - INVESTIGATOR'S EQUIPMENT

DAMAGE CONTROL EQUIPMENT STOWAGE SKETCH #012

DAMAGE CONTROL LOCKER, VARIOUS EQUIPMENT



DAMAGE CONTROL EQUIPMENT STOWAGE SKETCH #013

DAMAGE CONTROL LOCKER, VARIOUS EQUIPMENT

LIST OF MATERIAL

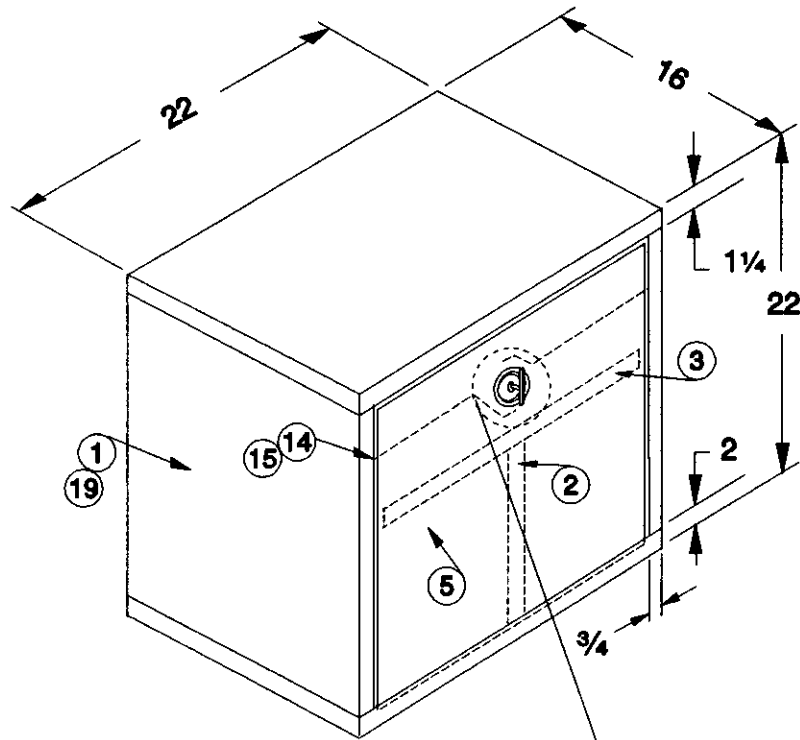
NO.	DESCRIPTION	Qty.	MATERIAL
1	LOCKER	1	.063 AL. 5052-H32
2	STIFFENER, DOOR, VERT	1	.063 AL. 5052-H32
3	STIFFENER, DOOR, HORZ	1	.063 AL. 5052-H32
4	STIFFENER, LOCKER	4	.063 AL. 5052-H32
5	DOOR	1	.050 AL 5052-H32
6	REINF. PAD 2X2	6	¼ THK ALUM.
7	RECESS CUP	1	.050 ALUM
8	LOCK ROD	2	5/16 Ø SPADE BOLT, STEEL
9	TEE HANDLE	1	S3200-860055, PC# 13
10	LKG DVC PLATE	1	11 GA CRES
11	LKG DVC CAM	1	12 GA CREW
12	LKG DVC STRAP	1	16 GA CRES
13	ESCUTCHEON	1	20 GA CRES
14	DOOR FERRULE	2	HEYCO 58-500-5
15	DOOR/FRAME FERRULE	4	HEYCO 58-500-6
16	DOOR/FRAME FERRULE	4	.050 ALUM 5052-H32
17	BUMPER	4	RUBBER
18	BOLT, H.HD. ⅝-16 1¼L	6	STEEL
19	NUT, SELF-LKG, ⅝-16	6	STEEL
20	WASHER, FLAT, ⅝ STD.	6	STEEL

GENERAL NOTES

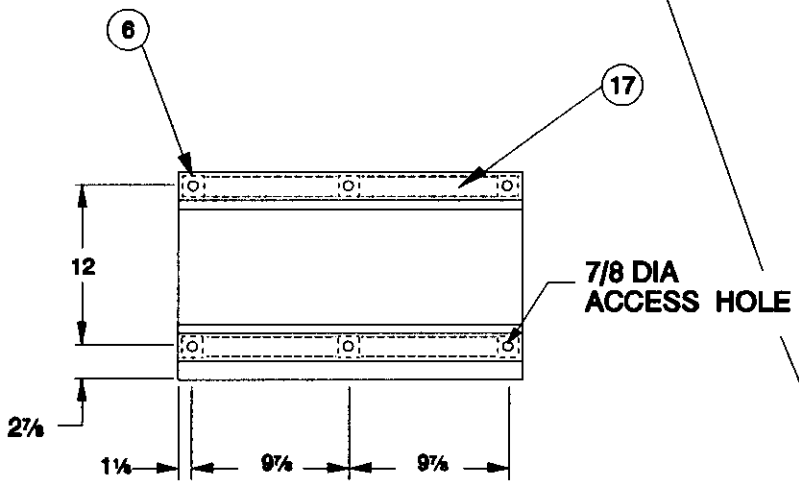
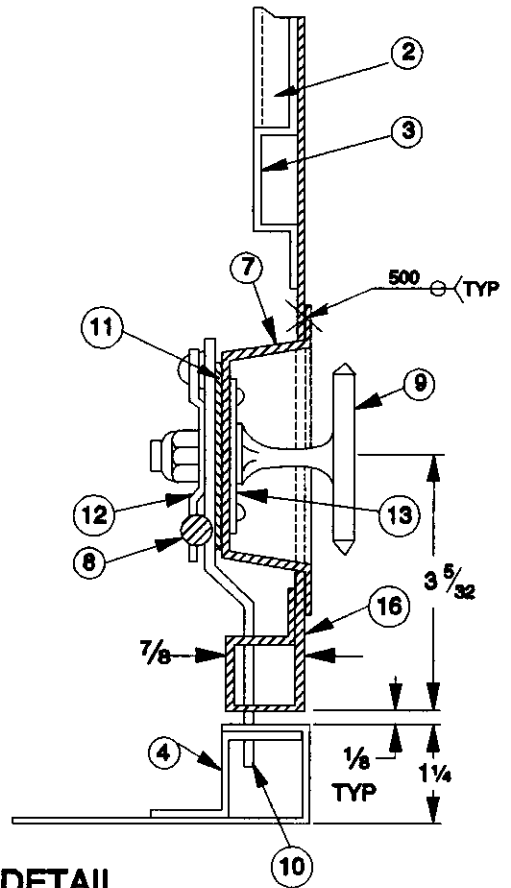
1. UNIT APPROVED FOR GRADE "B" SHOCK SUPSHIP BATH APPROVAL SER# 250P/2614 DATED 26 MAR 1991.
2. FOR STOWAGE OF ANY ONE OF THE FOLLOWING DAMAGE CONTROL EQUIPMENT:
 - OBA CANISTER / 1 CARTON
 - LIFE JACKET
 - GAS MASK
 - GAS FREE EQUIPMENT
 - INVESTIGATOR'S EQUIPMENT

DAMAGE CONTROL EQUIPMENT STOWAGE SKETCH #013

DAMAGE CONTROL LOCKER, VARIOUS EQUIPMENT



SHIP LOOSE WITH EACH UNIT (19) (20) (21)



7/8 DIA ACCESS HOLE

DETAIL

SECTION

DAMAGE CONTROL EQUIPMENT STOWAGE SKETCH #014

DAMAGE CONTROL LOCKER, VARIOUS EQUIPMENT

LIST OF MATERIAL

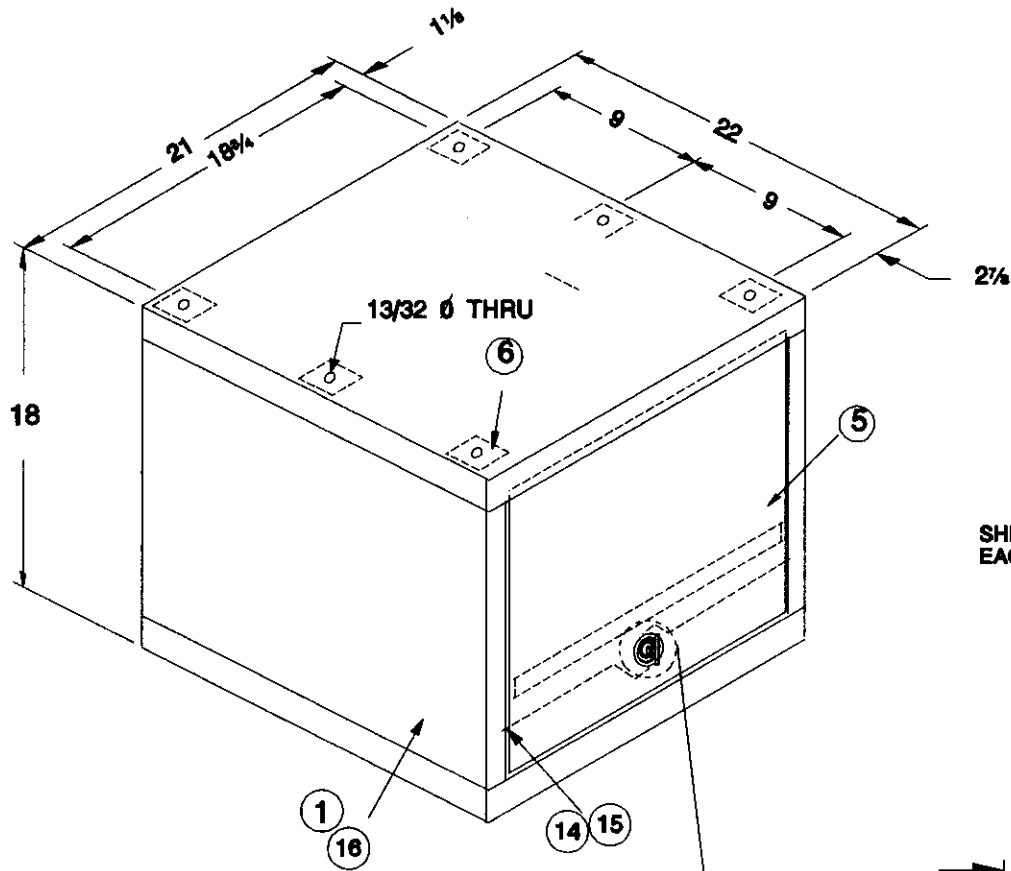
NO.	DESCRIPTION	Qty.	MATERIAL
1	LOCKER	1	.063 AL. 5052-H32
2	STIFFENER, DOOR, VERT	1	.063 AL. 5052-H32
3	STIFFENER, DOOR, HORZ	1	.063 AL. 5052-H32
4	STIFFENER, LOCKER	4	.063 AL. 5052-H32
5	DOOR	1	.050 AL 5052-H32
6	REINF. PAD 2X2	6	¼ THK ALUM.
7	RECESS CUP	1	.050 ALUM
8	LOCK ROD	2	5/16 Ø SPADE BOLT, STEEL
9	TEE HANDLE	1	S3200-860055, PC# 13
10	LKG DVC PLATE	1	11 GA CRES
11	LKG DVC CAM	1	12 GA CREW
12	LKG DVC STRAP	1	16 GA CRES
13	ESCUTCHEON	1	20 GA CRES
14	DOOR FERRULE	2	HEYCO 58-500-5
15	DOOR/FRAME FERRULE	4	HEYCO 58-500-6
16	STIFFENER DOOR	4	.050 ALUM 5052-H32
17	STIFFENER	4	.063 ALUM 5052-H32
18	BUMPER	4	RUBBER
19	BOLT, H.HD. ⅝-16 1¼L	6	STEEL
20	NUT, SELF-LKG, ⅝-16	6	STEEL
21	WASHER, FLAT, ⅝ STD.	6	STEEL

GENERAL NOTES

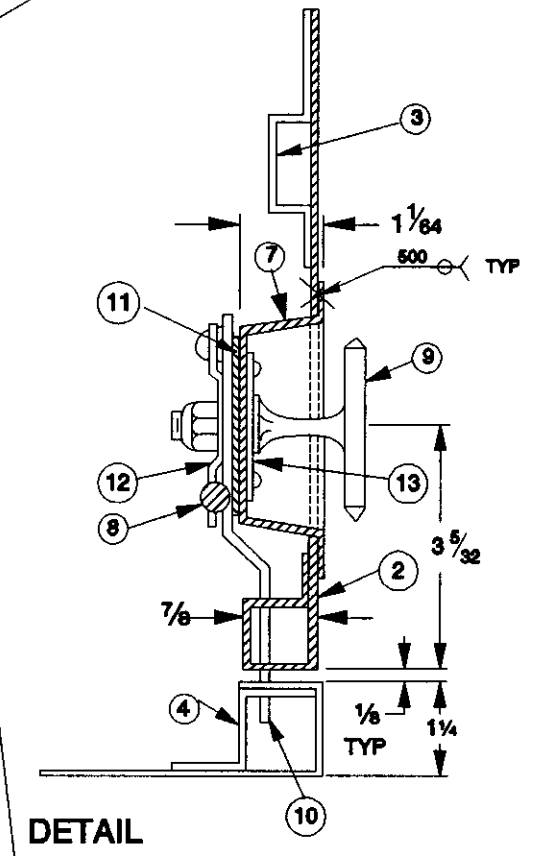
1. UNIT APPROVED FOR GRADE "B" SHOCK SUPSHIP BATH APPROVAL SER# 250P/2614 DATED 26 MAR 1991.
2. FOR STOWAGE OF ANY ONE OF THE FOLLOWING DAMAGE CONTROL EQUIPMENT:
 - OBA CANISTER / 1 CARTON
 - LIFE JACKET
 - GAS MASK
 - GAS FREE EQUIPMENT
 - INVESTIGATOR'S EQUIPMENT

DAMAGE CONTROL EQUIPMENT STOWAGE SKETCH #014

DAMAGE CONTROL LOCKER, VARIOUS EQUIPMENT



SHIP LOOSE WITH EACH UNIT (17) (18) (19)



DAMAGE CONTROL EQUIPMENT STOWAGE SKETCH #015

DAMAGE CONTROL LOCKER, VARIOUS EQUIPMENT

LIST OF MATERIAL

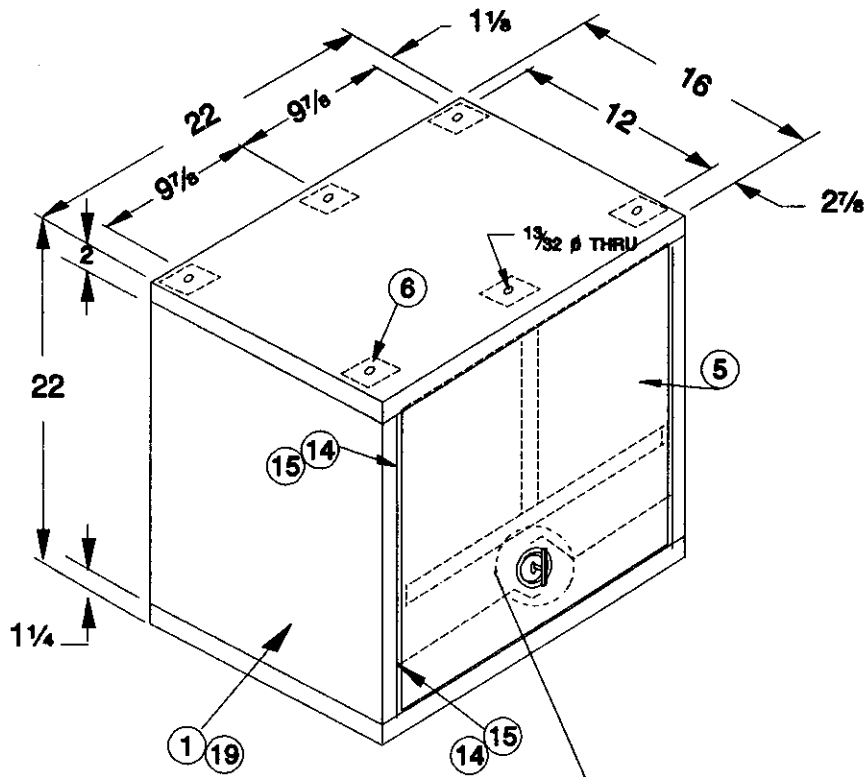
NO.	DESCRIPTION	Qty.	MATERIAL
1	LOCKER	1	.063 AL. 5052-H32
2	STIFFENER, DOOR	1	.063 AL. 5052-H32
3	STIFFENER, DOOR, HORZ	1	.063 AL. 5052-H32
4	STIFFENER, LOCKER	4	.063 AL. 5052-H32
5	DOOR	1	.050 AL 5052-H32
6	REINF. PAD 2X2	6	¼ THK ALUM.
7	RECESS CUP	1	.050 ALUM
8	LOCK ROD	2	5/16 Ø SPADE BOLT, STEEL
9	TEE HANDLE	1	S3200-860055, PC# 13
10	LKG DVC PLATE	1	11 GA CRES
11	LKG DVC CAM	1	12 GA CREW
12	LKG DVC STRAP	1	16 GA CRES
13	ESCUTCHEON	1	20 GA CRES
14	DOOR FERRULE	2	HEYCO 58-500-5
15	DOOR/FRAME FERRULE	4	HEYCO 58-500-6
16	BUMPER	4	RUBBER
17	BOLT, H.HD. ⅝-16 1¼L	6	STEEL
18	NUT, SELF-LKG, ⅝-16	6	STEEL
19	WASHER, FLAT, ⅝ STD.	6	STEEL

GENERAL NOTES

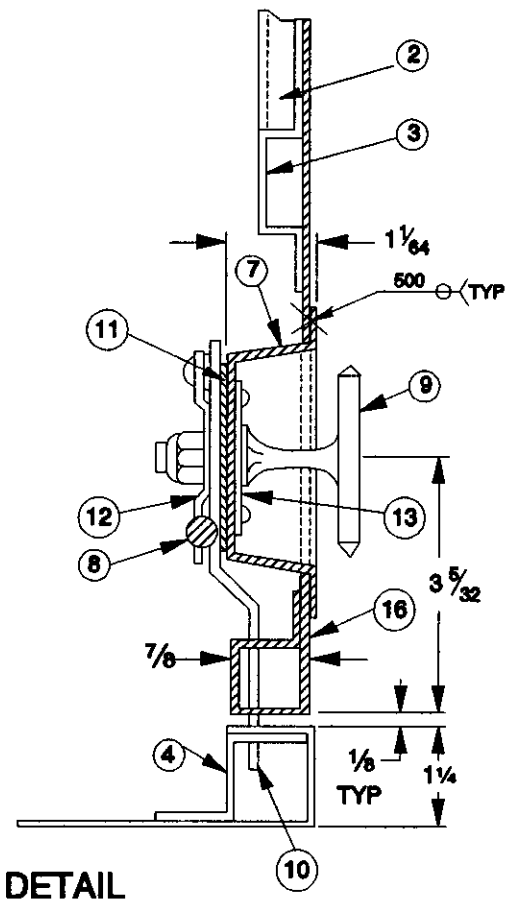
1. UNIT APPROVED FOR GRADE "B" SHOCK SUPSHIP BATH APPROVAL SER# 250P/2614 DATED 26 MAR 1991.
2. FOR STOWAGE OF ANY ONE OF THE FOLLOWING DAMAGE CONTROL EQUIPMENT:
 - OBA CANISTER / 1 CARTON
 - LIFE JACKET
 - GAS MASK
 - GAS FREE EQUIPMENT
 - INVESTIGATOR'S EQUIPMENT

DAMAGE CONTROL EQUIPMENT STOWAGE SKETCH #015

DAMAGE CONTROL LOCKER, VARIOUS EQUIPMENT



SHIP LOOSE WITH EACH UNIT (18) (19) (20)



DETAIL

DAMAGE CONTROL EQUIPMENT STOWAGE SKETCH #016

DAMAGE CONTROL LOCKER, VARIOUS EQUIPMENT

LIST OF MATERIAL

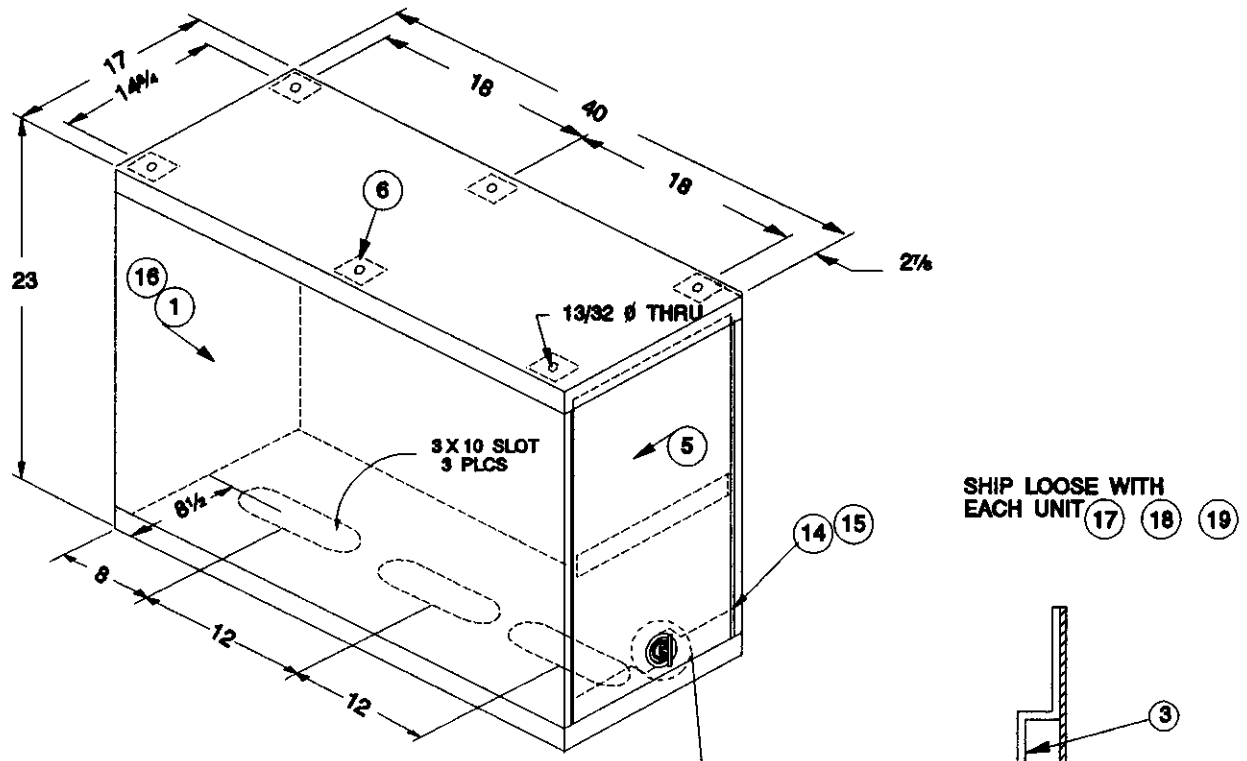
NO.	DESCRIPTION	Qty.	MATERIAL
1	LOCKER	1	.063 AL. 5052-H32
2	STIFFENER, DOOR, VERT	1	.063 AL. 5052-H32
3	STIFFENER, DOOR, HORZ	1	.063 AL. 5052-H32
4	STIFFENER, LOCKER	4	.063 AL. 5052-H32
5	DOOR	1	.050 AL 5052-H32
6	REINF. PAD 2X2	6	¼ THK ALUM.
7	RECESS CUP	1	.050 ALUM
8	LOCK ROD	2	5/16 Ø SPADE BOLT, STEEL
9	TEE HANDLE	1	S3200-860055, PC# 13
10	LKG DVC PLATE	1	11 GA CRES
11	LKG DVC CAM	1	12 GA CREW
12	LKG DVC STRAP	1	16 GA CRES
13	ESCUTCHEON	1	20 GA CRES
14	DOOR FERRULE	2	HEYCO 58-500-5
15	DOOR/FRAME FERRULE	4	HEYCO 58-500-6
16	STIFFENER DOOR	4	.050 ALUM 5052-H32
17	BUMPER	4	RUBBER
18	BOLT, H.HD. ⅝-16 1¼L	6	STEEL
19	NUT, SELF-LKG, ⅝-16	6	STEEL
20	WASHER, FLAT, ⅝ STD.	6	STEEL

GENERAL NOTES

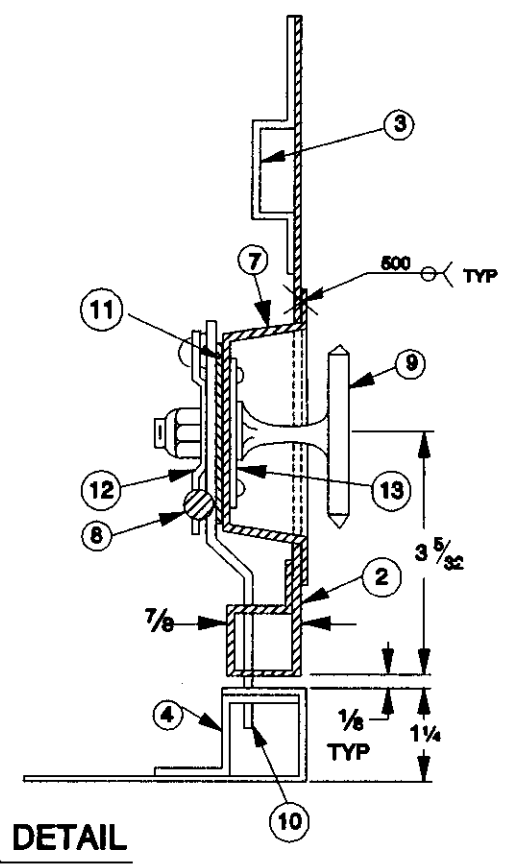
1. UNIT APPROVED FOR GRADE "B" SHOCK SUPSHIP BATH APPROVAL SER# 250P/2614 DATED 26 MAR 1991.
2. FOR STOWAGE OF ANY ONE OF THE FOLLOWING DAMAGE CONTROL EQUIPMENT:
 - OBA CANISTER / 1 CARTON
 - LIFE JACKET
 - GAS MASK
 - GAS FREE EQUIPMENT
 - INVESTIGATOR'S EQUIPMENT

DAMAGE CONTROL EQUIPMENT STOWAGE SKETCH #016

DAMAGE CONTROL LOCKER, VARIOUS EQUIPMENT



SHIP LOOSE WITH EACH UNIT (17) (18) (19)



DAMAGE CONTROL EQUIPMENT STOWAGE SKETCH #017

DAMAGE CONTROL LOCKER, VARIOUS EQUIPMENT

LIST OF MATERIAL

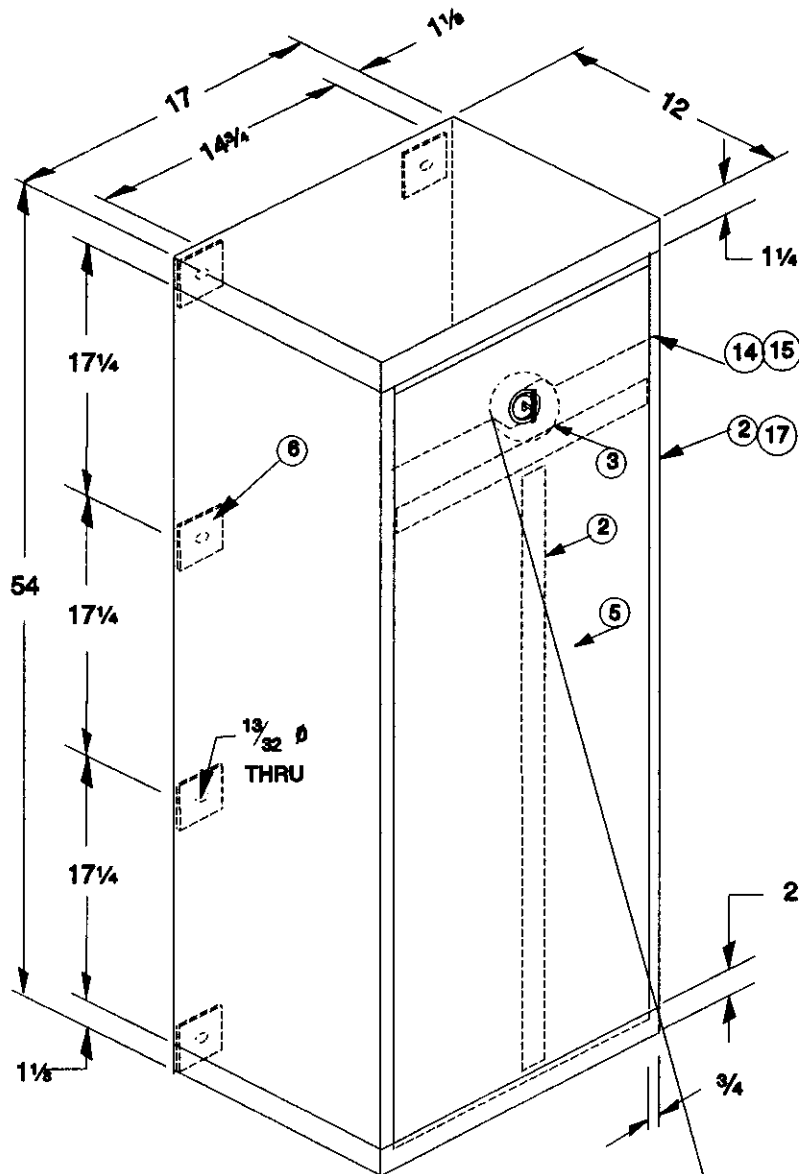
NO.	DESCRIPTION	Qty.	MATERIAL
1	LOCKER	1	.063 AL. 5052-H32
2	STIFFENER, DOOR	1	.063 AL. 5052-H32
3	STIFFENER, DOOR, HORZ	1	.063 AL. 5052-H32
4	STIFFENER, LOCKER	4	.063 AL. 5052-H32
5	DOOR	1	.050 AL 5052-H32
6	REINF. PAD 2X2	6	¼ THK ALUM.
7	RECESS CUP	1	.050 ALUM
8	LOCK ROD	2	5/16 Ø SPADE BOLT, STEEL
9	TEE HANDLE	1	S3200-860055, PC# 13
10	LKG DVC PLATE	1	11 GA CRES
11	LKG DVC CAM	1	12 GA CREW
12	LKG DVC STRAP	1	16 GA CRES
13	ESCUTCHEON	1	20 GA CRES
14	DOOR FERRULE	2	HEYCO 58-500-5
15	DOOR/FRAME FERRULE	4	HEYCO 58-500-6
16	BUMPER	4	RUBBER
17	BOLT, H.HD. ⅝-16 1¼L	6	STEEL
18	NUT, SELF-LKG, ⅝-16	6	STEEL
19	WASHER, FLAT, ⅝ STD.	6	STEEL

GENERAL NOTES

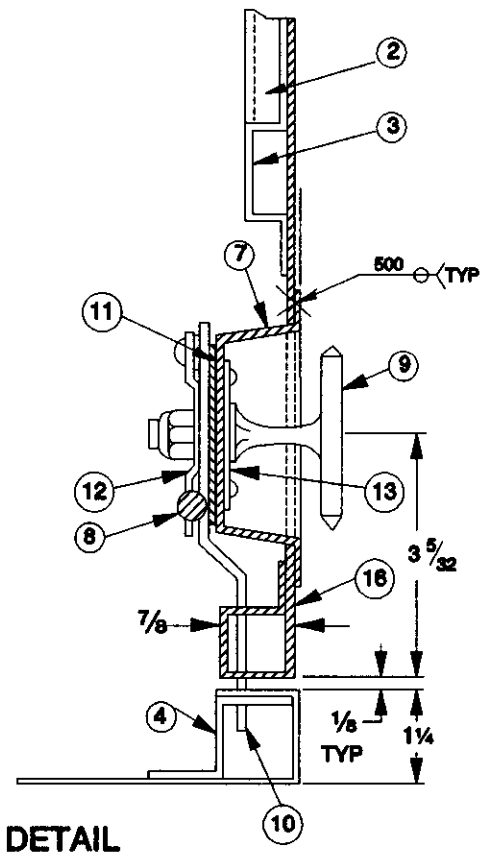
1. UNIT APPROVED FOR GRADE "B" SHOCK SUPSHIP BATH APPROVAL SER# 250P/2614 DATED 26 MAR 1991.
2. FOR STOWAGE OF ANY ONE OF THE FOLLOWING DAMAGE CONTROL EQUIPMENT:
 - OBA CANISTER / 1 CARTON
 - LIFE JACKET
 - GAS MASK
 - GAS FREE EQUIPMENT
 - INVESTIGATOR'S EQUIPMENT

DAMAGE CONTROL EQUIPMENT STOWAGE SKETCH #017

DAMAGE CONTROL LOCKER, VARIOUS EQUIPMENT



SHIP LOOSE WITH EACH UNIT 18 19 20



DETAIL

DAMAGE CONTROL EQUIPMENT STOWAGE SKETCH #018

DAMAGE CONTROL LOCKER, VARIOUS EQUIPMENT

LIST OF MATERIAL

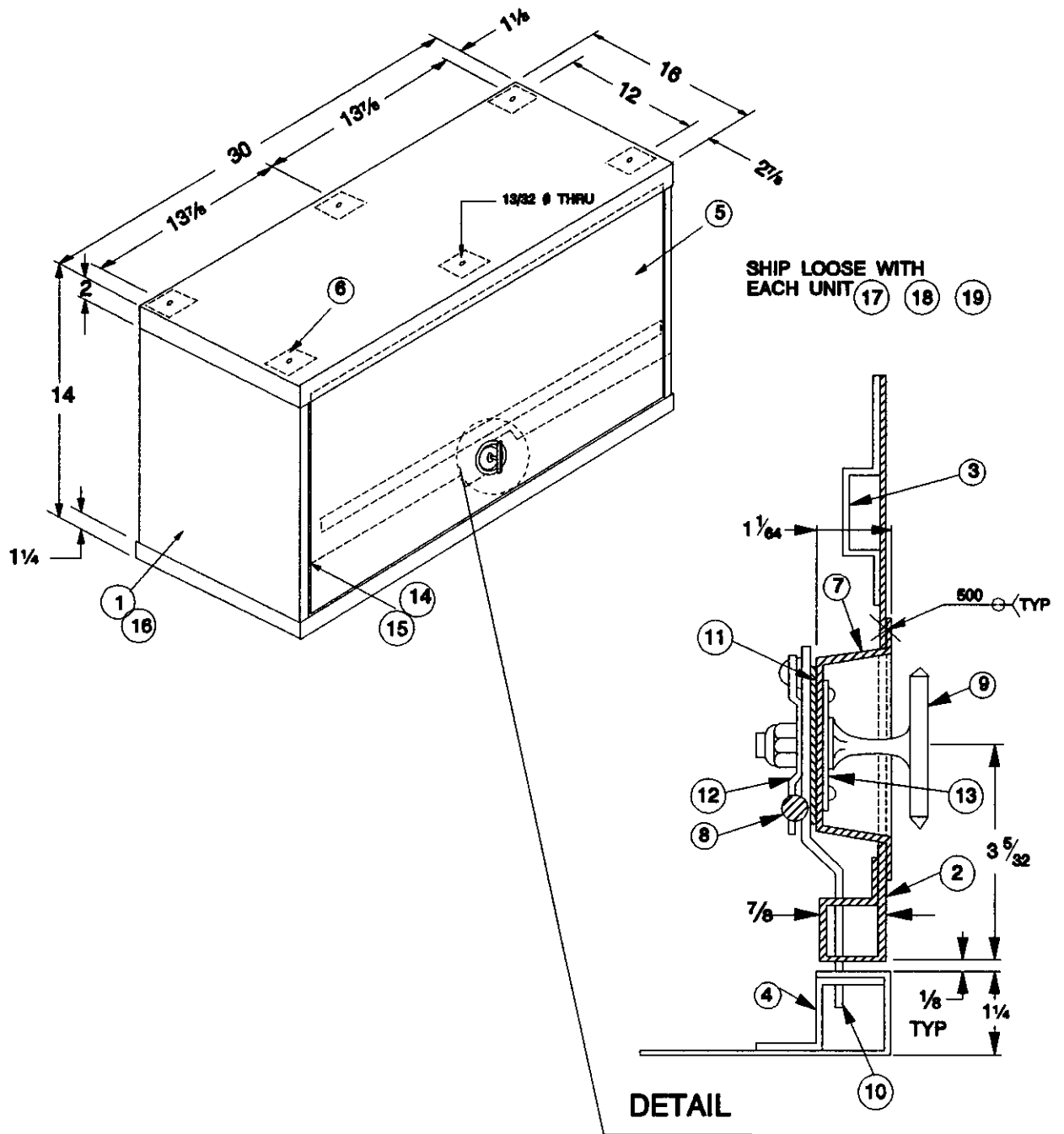
NO.	DESCRIPTION	Qty.	MATERIAL
1	LOCKER	1	.063 AL. 5052-H32
2	STIFFENER, DOOR, VERT	1	.063 AL. 5052-H32
3	STIFFENER, DOOR, HORZ	1	.063 AL. 5052-H32
4	STIFFENER, LOCKER	4	.063 AL. 5052-H32
5	DOOR	1	.050 AL 5052-H32
6	REINF. PAD 2X2	8	¼ THK ALUM.
7	RECESS CUP	1	.050 ALUM
8	LOCK ROD	2	5/16 Ø SPADE BOLT, STEEL
9	TEE HANDLE	1	S3200-860055, PC# 13
10	LKG DVC PLATE	1	11 GA CRES
11	LKG DVC CAM	1	12 GA CREW
12	LKG DVC STRAP	1	16 GA CRES
13	ESCUTCHEON	1	20 GA CRES
14	DOOR FERRULE	2	HEYCO 58-500-5
15	DOOR/FRAME FERRULE	4	HEYCO 58-500-6
16	STIFFENER DOOR	4	.050 ALUM 5052-H32
17	BUMPER	4	RUBBER
18	BOLT, H.HD. ⅜-16	8	STEEL 1 ¼ L
19	NUT, SELF-LKG, ⅜-16	8	STEEL
20	WASHER, FLAT, ⅜ STD.	8	STEEL

GENERAL NOTES

1. UNIT APPROVED FOR GRADE "B" SHOCK SUPSHIP BATH APPROVAL SER# 250P/2614 DATED 26 MAR 1991.
2. FOR STOWAGE OF ANY ONE OF THE FOLLOWING DAMAGE CONTROL EQUIPMENT:
 - OBA CANISTER / 1 CARTON
 - LIFE JACKET
 - GAS MASK
 - GAS FREE EQUIPMENT
 - INVESTIGATOR'S EQUIPMENT

DAMAGE CONTROL EQUIPMENT STOWAGE SKETCH #018

DAMAGE CONTROL LOCKER, VARIOUS EQUIPMENT



DAMAGE CONTROL EQUIPMENT STOWAGE SKETCH #019

DAMAGE CONTROL LOCKER, VARIOUS EQUIPMENT

LIST OF MATERIAL

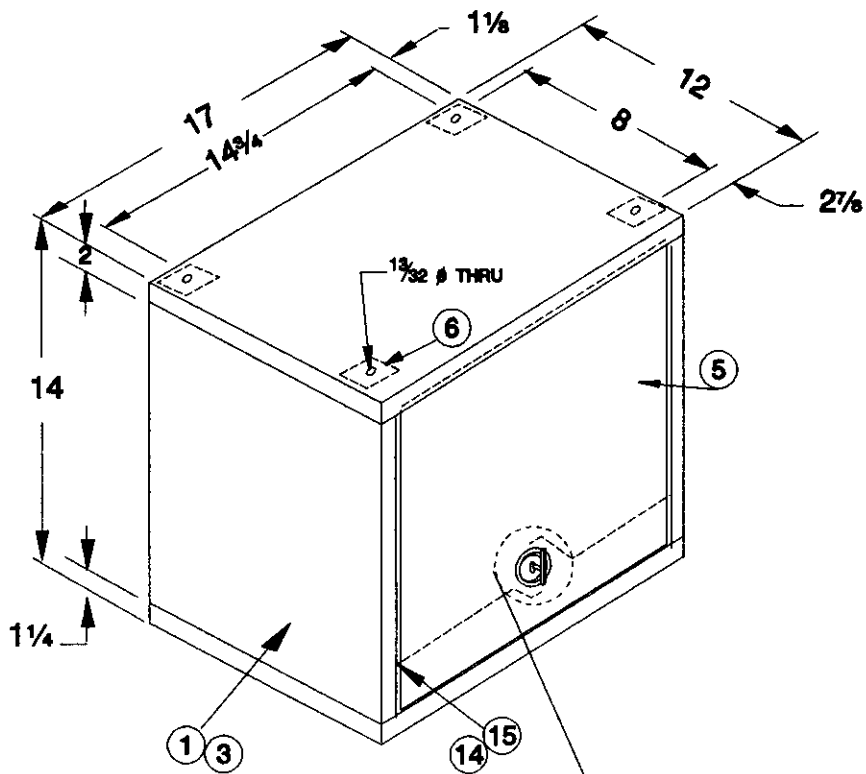
NO.	DESCRIPTION	Qty.	MATERIAL
1	LOCKER	1	.063 AL. 5052-H32
2	STIFFENER, DOOR	4	.050 ALUM
3	STIFFENER, DOOR, HORZ	1	.063 AL. 5052-H32
4	STIFFENER, LOCKER	4	.063 AL. 5052-H32
5	DOOR	1	.050 AL 5052-H32
6	REINF. PAD 2X2	6	¼ THK ALUM.
7	RECESS CUP	1	.050 ALUM
8	LOCK ROD	2	5/16 Ø SPADE BOLT, STEEL
9	TEE HANDLE	1	S3200-860055, PC# 13
10	LKG DVC PLATE	1	11 GA CRES
11	LKG DVC CAM	1	12 GA CREW
12	LKG DVC STRAP	1	16 GA CRES
13	ESCUTCHEON	1	20 GA CRES
14	DOOR FERRULE	2	HEYCO 58-500-5
15	DOOR/FRAME FERRULE	4	HEYCO 58-500-6
16	BUMPER	4	RUBBER
17	BOLT, H.HD. ⅜-16	6	STEEL 1¼L
18	NUT, SELF-LKG, ⅜-16	6	STEEL
19	WASHER, FLAT, ⅜ STD.	6	STEEL

GENERAL NOTES

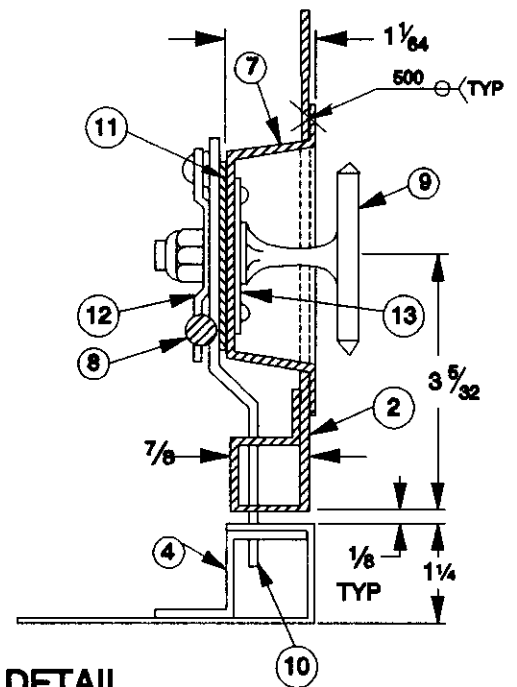
1. UNIT APPROVED FOR GRADE "B" SHOCK SUPSHIP BATH APPROVAL SER# 250P/2614 DATED 26 MAR 1991.
2. FOR STOWAGE OF ANY ONE OF THE FOLLOWING DAMAGE CONTROL EQUIPMENT:
 - OBA CANISTER / 1 CARTON
 - LIFE JACKET
 - GAS MASK
 - GAS FREE EQUIPMENT
 - INVESTIGATOR'S EQUIPMENT

DAMAGE CONTROL EQUIPMENT STOWAGE SKETCH #019

DAMAGE CONTROL LOCKER, VARIOUS EQUIPMENT



SHIP LOOSE WITH EACH UNIT (16) (17) (18)



DETAIL

DAMAGE CONTROL EQUIPMENT STOWAGE SKETCH #020

DAMAGE CONTROL LOCKER, VARIOUS EQUIPMENT

LIST OF MATERIAL

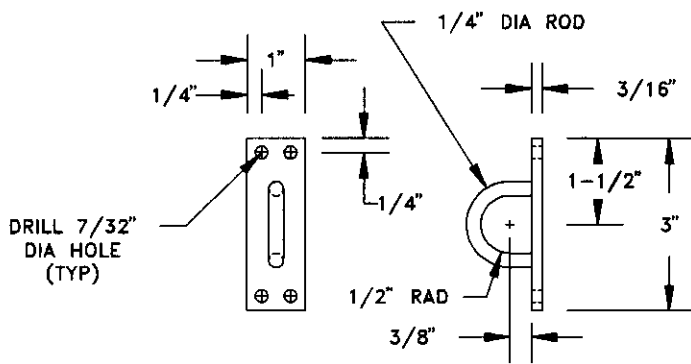
NO.	DESCRIPTION	Qty.	MATERIAL
1	LOCKER	1	.063 AL. 5052-H32
2	STIFFENER, DOOR	4	.050 AL 5052-H32
3	BUMPER	4	RUBBER
4	STIFFENER, LOCKER	4	.063 AL. 5052-H32
5	DOOR	1	.050 AL 5052-H32
6	REINF. PAD 2X2	4	¼ THK ALUM.
7	RECESS CUP	1	.050 ALUM
8	LOCK ROD	2	5/16 Ø SPADE BOLT, STEEL
9	TEE HANDLE	1	S3200-860055, PC# 13
10	LKG DVC PLATE	1	11 GA CRES
11	LKG DVC CAM	1	12 GA CREW
12	LKG DVC STRAP	1	16 GA CRES
13	ESCUTCHEON	1	20 GA CRES
14	DOOR FERRULE	2	HEYCO 58-500-5
15	DOOR/FRAME FERRULE	4	HEYCO 58-500-6
16	BOLT, H.HD. ¾-16	4	STEEL 1¼L
17	NUT, SELF-LKG, ¾-16	4	STEEL
18	WASHER, FLAT, ¾ STD.	4	STEEL

GENERAL NOTES

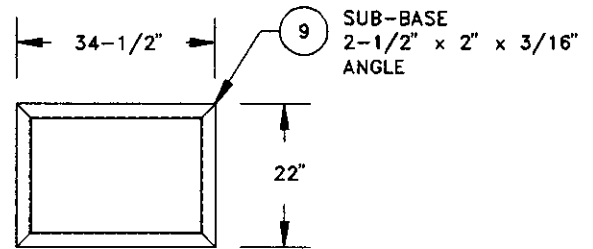
1. UNIT APPROVED FOR GRADE "B" SHOCK SUPSHIP BATH APPROVAL SER# 250P/2614 DATED 26 MAR 1991.
2. FOR STOWAGE OF ANY ONE OF THE FOLLOWING DAMAGE CONTROL EQUIPMENT:
 - OBA CANISTER / 1 CARTON
 - LIFE JACKET
 - GAS MASK
 - GAS FREE EQUIPMENT
 - INVESTIGATOR'S EQUIPMENT

DAMAGE CONTROL EQUIPMENT STOWAGE SKETCH #020

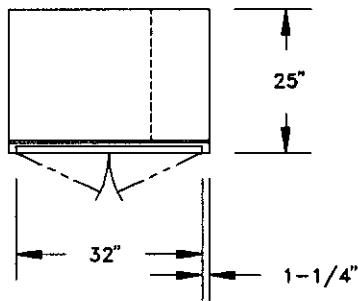
DAMAGE CONTROL LOCKER, VARIOUS EQUIPMENT



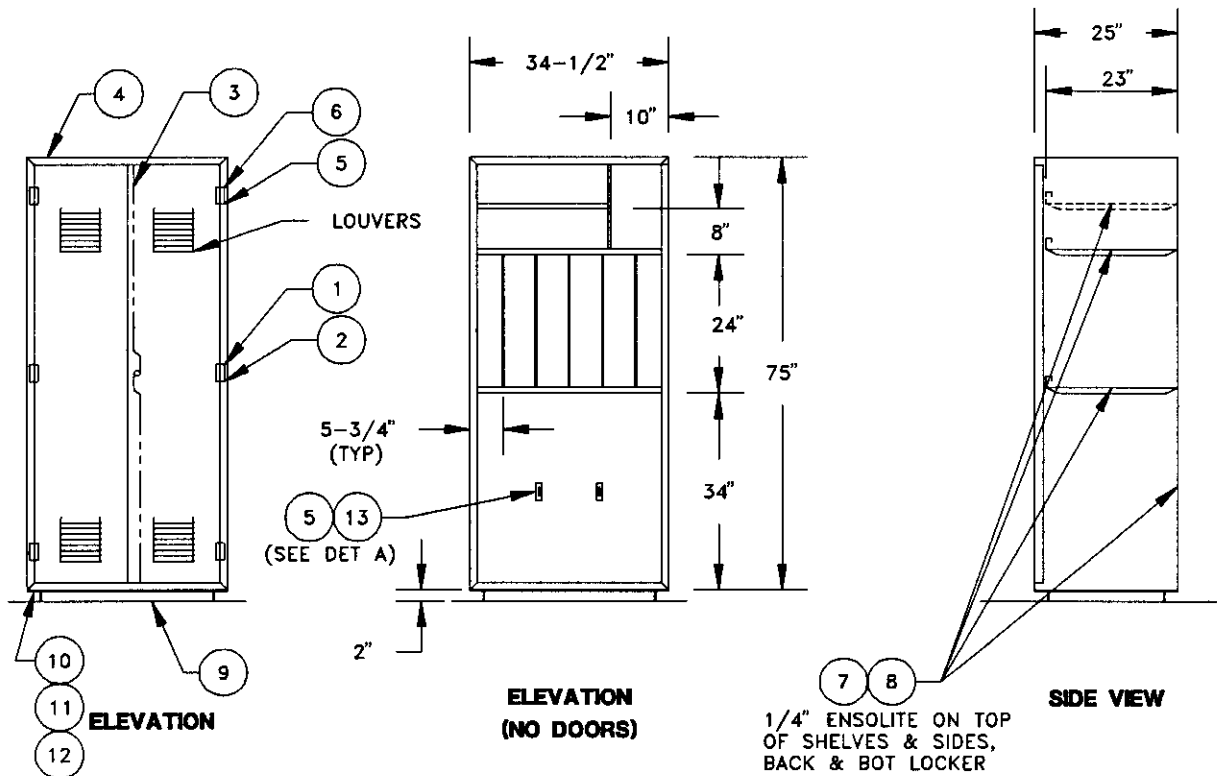
DETAIL A



PLAN (SUB-BASE)



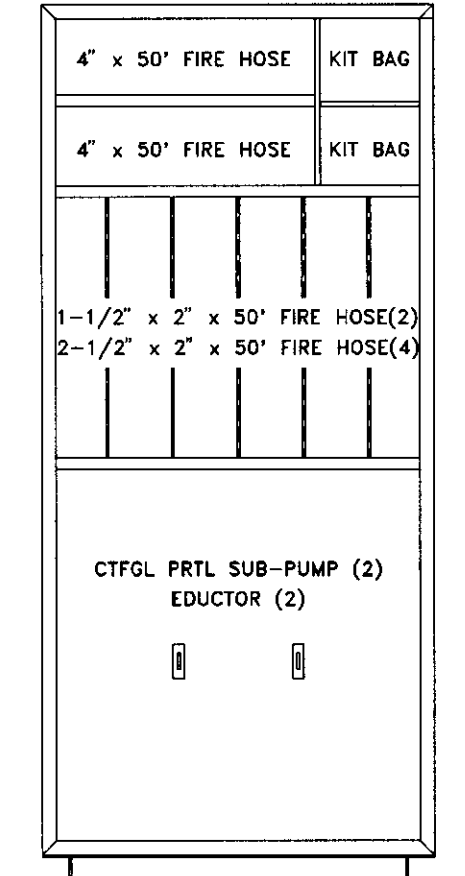
PLAN



ELEVATION (NO DOORS)

SIDE VIEW

DAMAGE CONTROL EQUIPMENT STOWAGE SKETCH # 021
DEWATERING KIT STOWAGE LOCKER
PAGE 1 OF 3



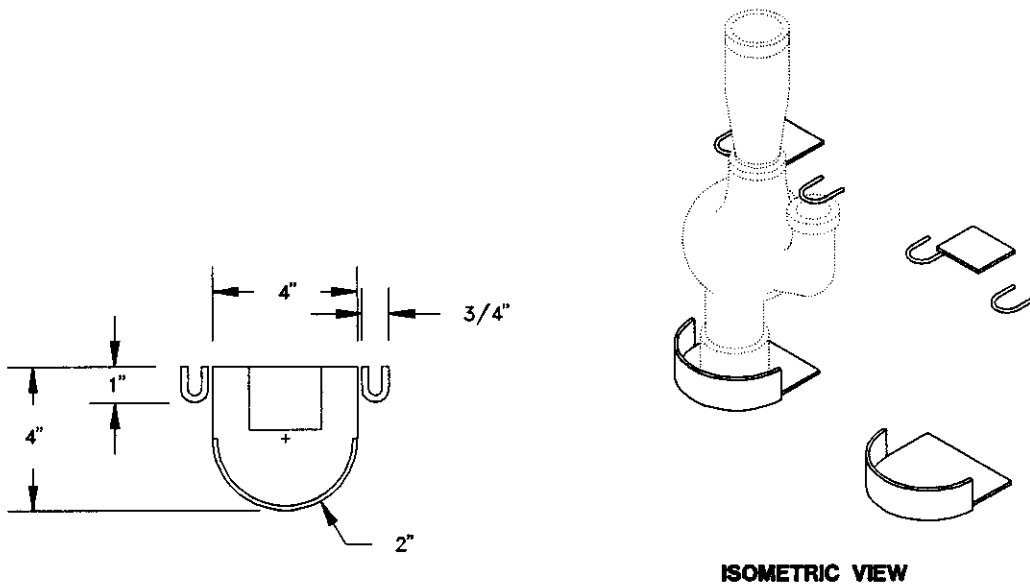
DAMAGE CONTROL EQUIPMENT STOWAGE SKETCH # 021
DEWATERING KIT STOWAGE LOCKER
PAGE 2 OF 3

ASSY		LIST OF MATERIAL			
QTY	PART NO.	NAME	MATERIAL	REFERENCES	REMARKS
6	1	HINGE, 2" x 1-5/8"	STL CAD PLTD	NN STOCK 17-15-302	
6	2	ANTI-RATTLER	RUBBER PURE GUM		
1	3	LOCKING DEVICE	SEE DET DWG	ASSY64, REF 6	
1	4	LOCKER	SEE DET DWG	REF 5	
36	5	HUCK RIVET SELF PLUGGING BLIND NO. P-6-D	ALUMINUM		
12	6	HUCK COMMERCIAL LOCK BOLT NO. CLPB F6-2	ALUMINUM		
AS REQ'D	7	1/4" ENSOLITE	TY III RUBBER		MIL-P-15280
AS REQ'D	8	BONDING AGENT	CEMENT		MIL-A-24179
12LF	9	ANGLE, BASE, 2-1/2" x 2" x 3/16"	MED STL		
24	10	BOLT, 1/4"-20UNC 2A	STL (ZINC COAT)		L-3/4"
24	11	NUT, HEX 1/4"-20UNC 2B	STL (ZINC COAT)		TACK WELD TO PT # 9 IN SHOP
24	12	WASHER, LOCK	STL (ZINC COAT)		
6	13	LASHING STAPLE	MED STL		SEE DETAIL D

DAMAGE CONTROL EQUIPMENT STOWAGE SKETCH # 021

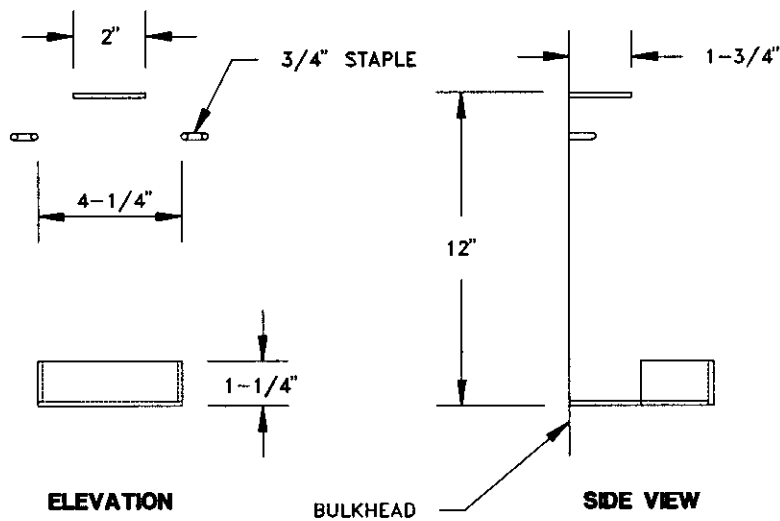
DEWATERING KIT STOWAGE LOCKER

PAGE 3 OF 3



PLAN

ISOMETRIC VIEW

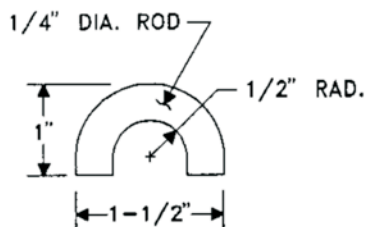
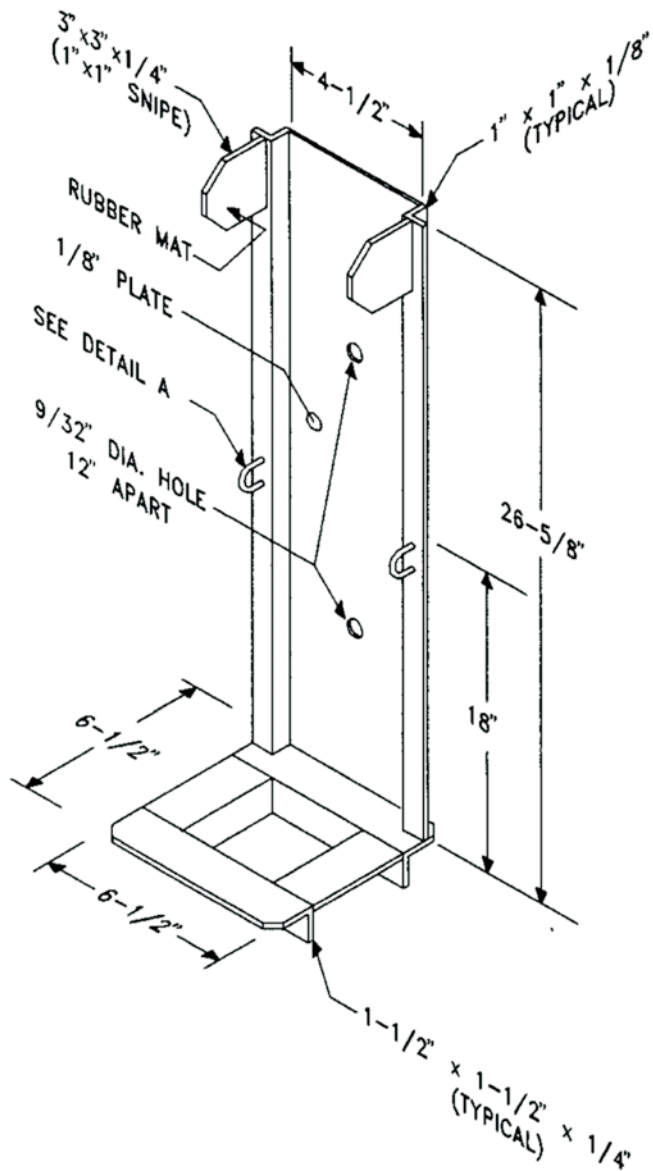


ELEVATION

BULKHEAD

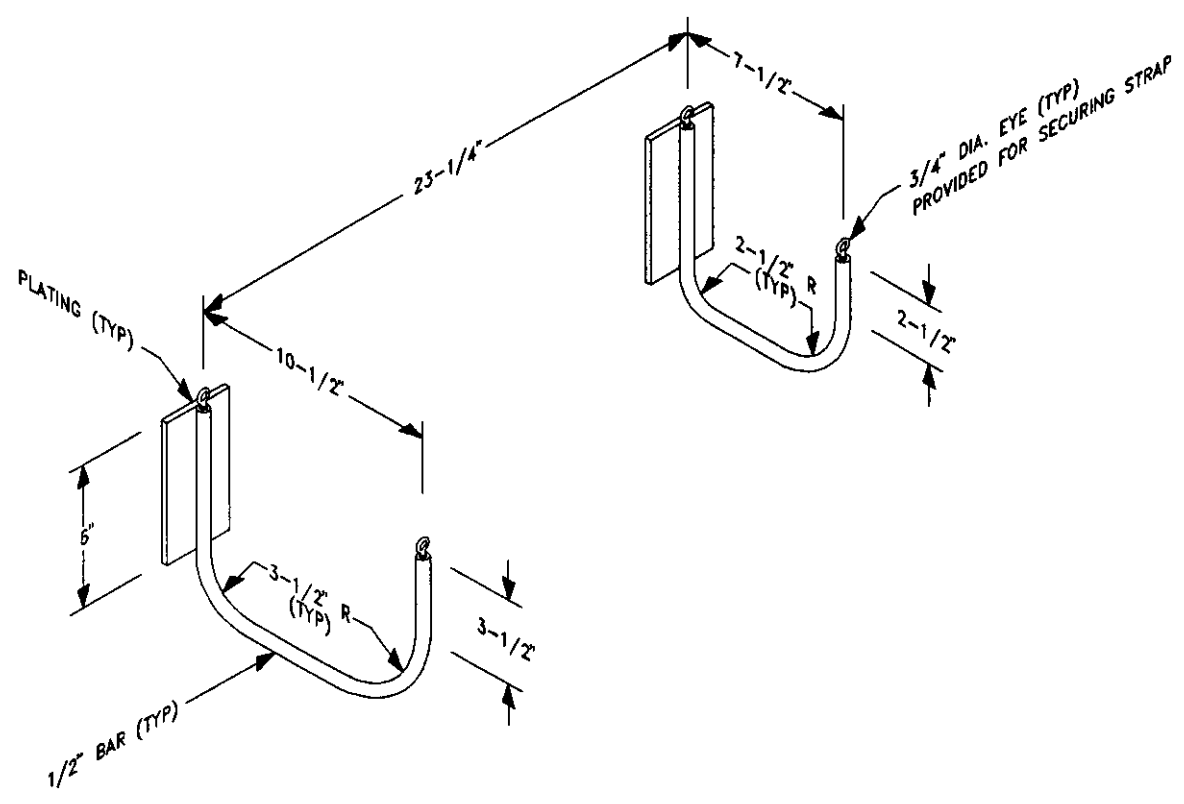
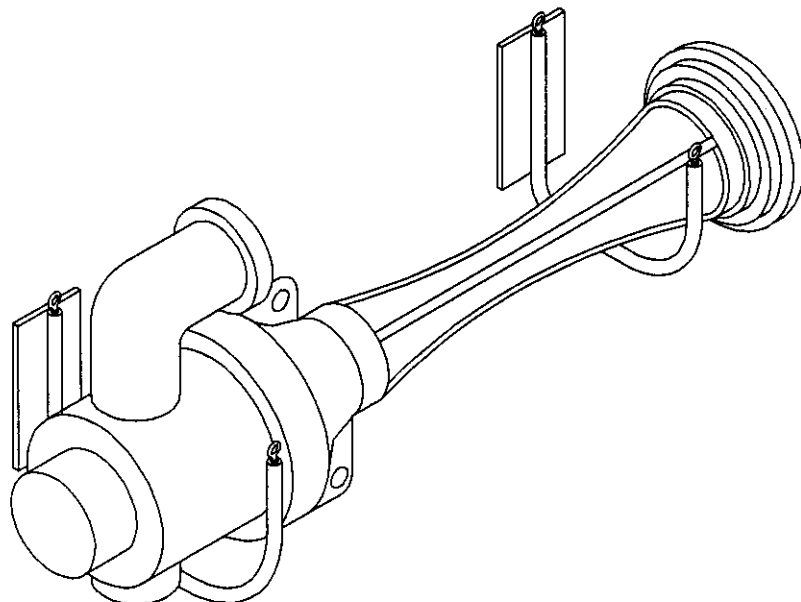
SIDE VIEW

DAMAGE CONTROL EQUIPMENT STOWAGE SKETCH # 022
EDUCTOR, (1-1/2")
VERTICAL STOWAGE BRACKET

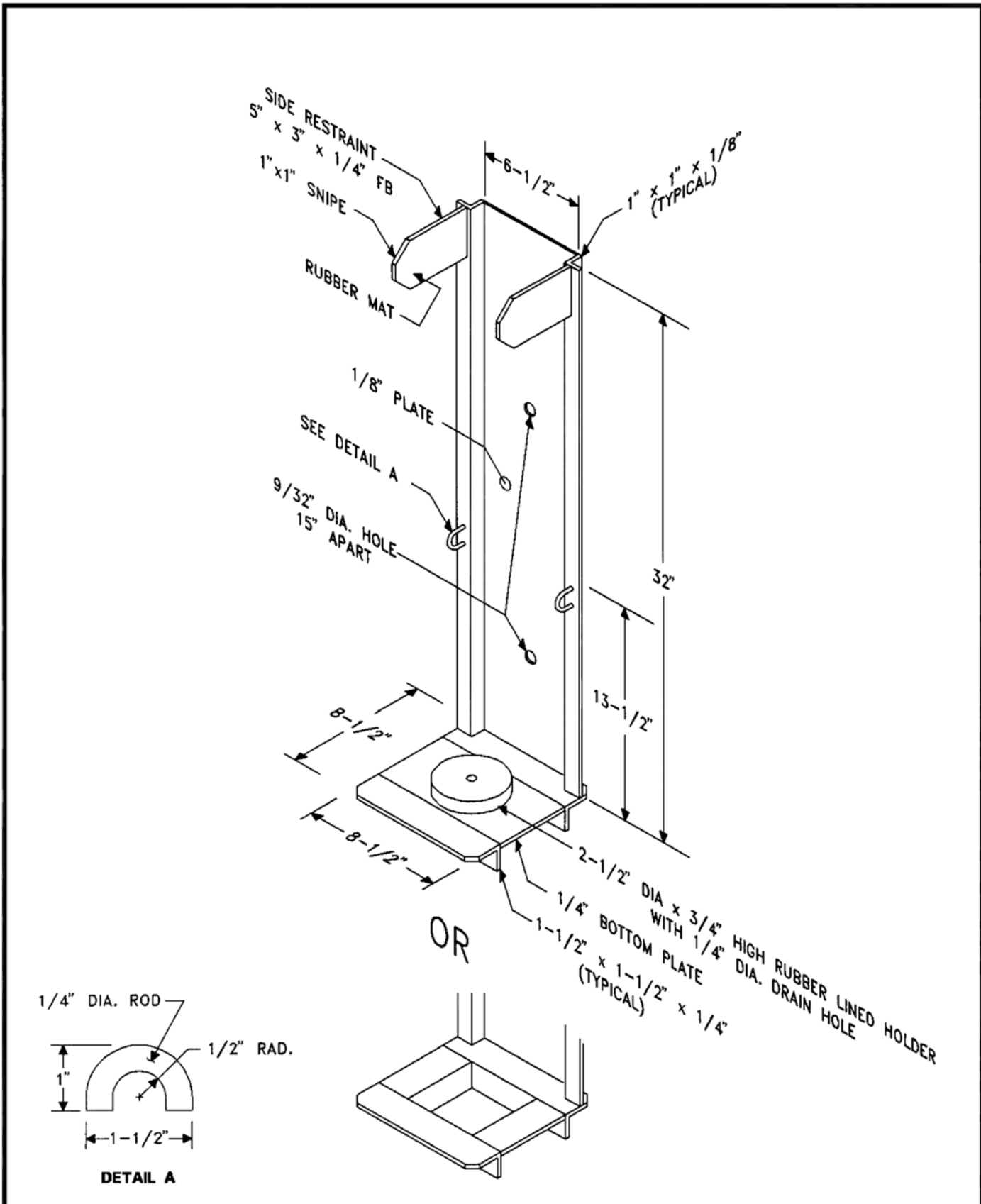


DETAIL A

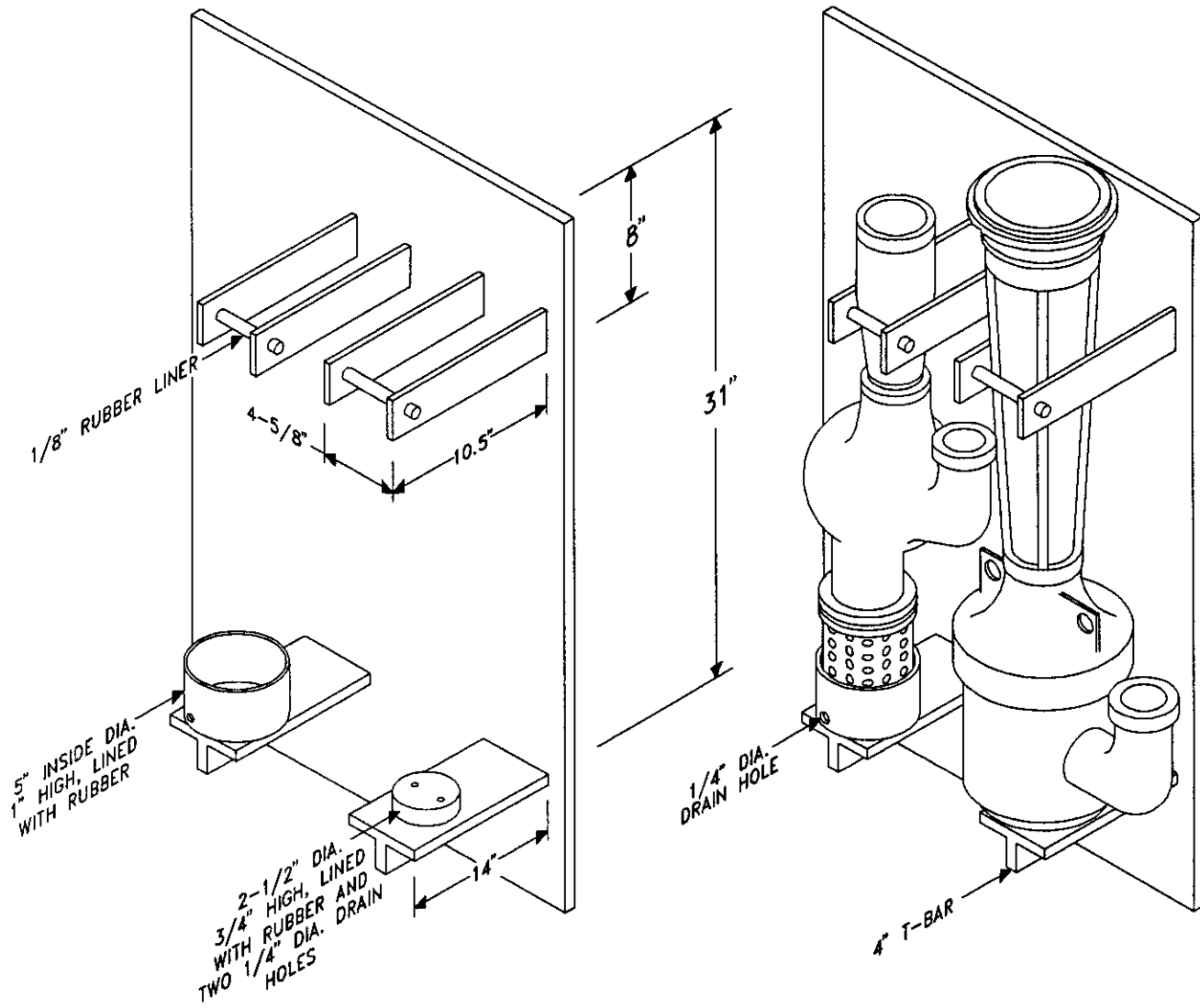
DAMAGE CONTROL EQUIPMENT STOWAGE SKETCH # 023
EDUCTOR, (1-1/2") VERTICAL STOWAGE RACK



DAMAGE CONTROL EQUIPMENT STOWAGE SKETCH # 024
EDUCTOR, (2-1/2") PERI-JET
HORIZONTAL STOWAGE

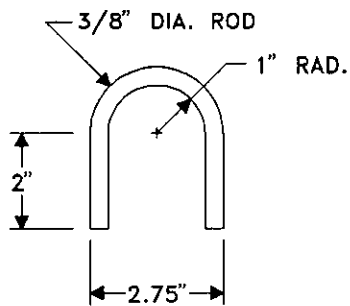
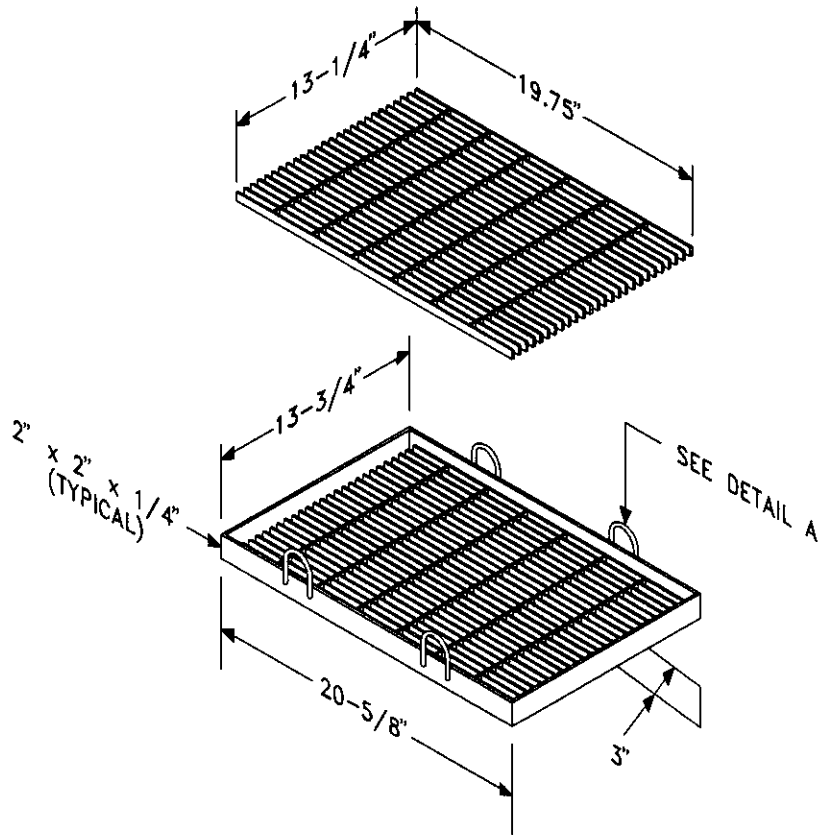


DAMAGE CONTROL EQUIPMENT STOWAGE SKETCH # 025
EDUCTOR, (2-1/2") PERI-JET
VERTICAL STOWAGE RACK



DAMAGE CONTROL EQUIPMENT STOWAGE SKETCH # 026
EDUCTOR/PERI-JET, (1-1/2" / 2-1/2")
VERTICAL STOWAGE RACK

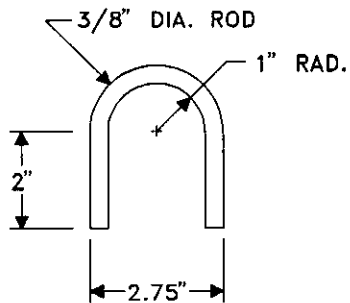
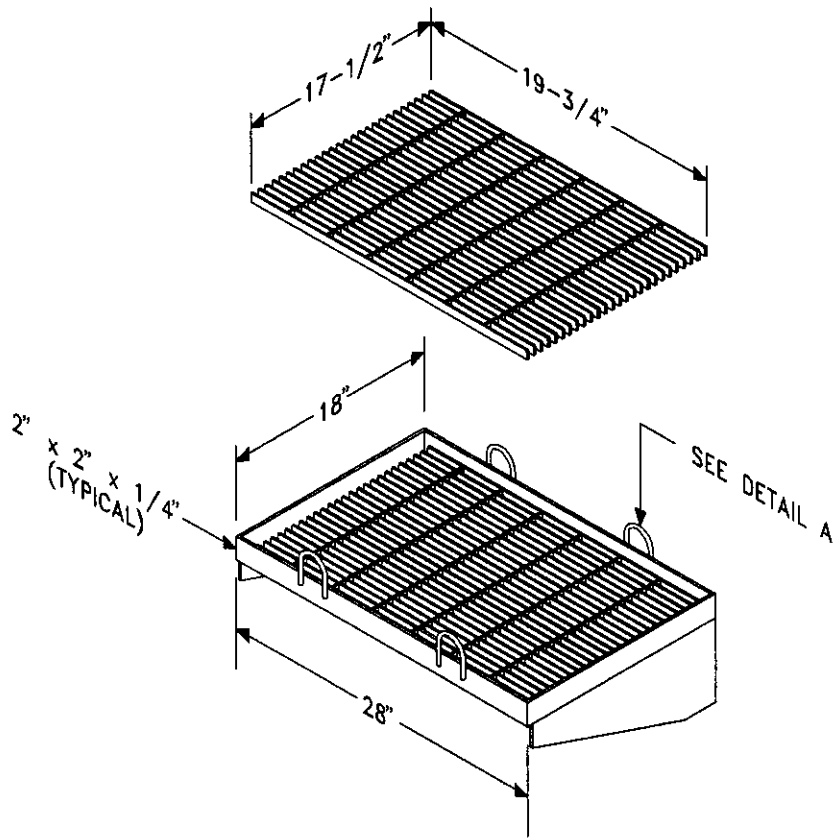
TUBEAXIAL FAN STOWAGE



DETAIL A

DAMAGE CONTROL EQUIPMENT STOWAGE SKETCH # 027
FAN STOWAGE, (DCRS), TUBEAXIAL
BHD MOUNTED (GRATING)

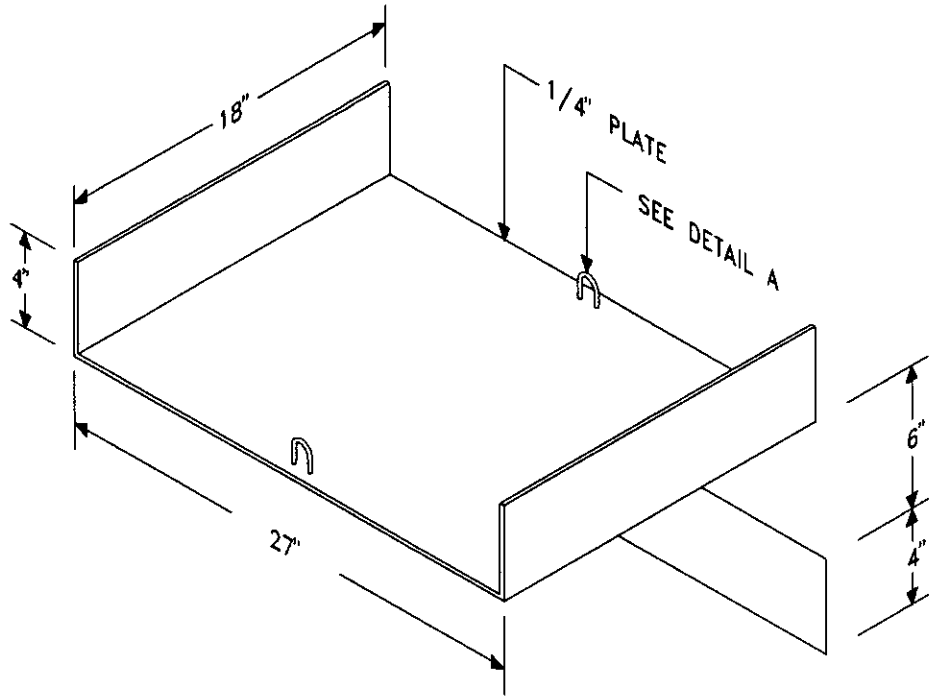
RED DEVIL FAN STOWAGE



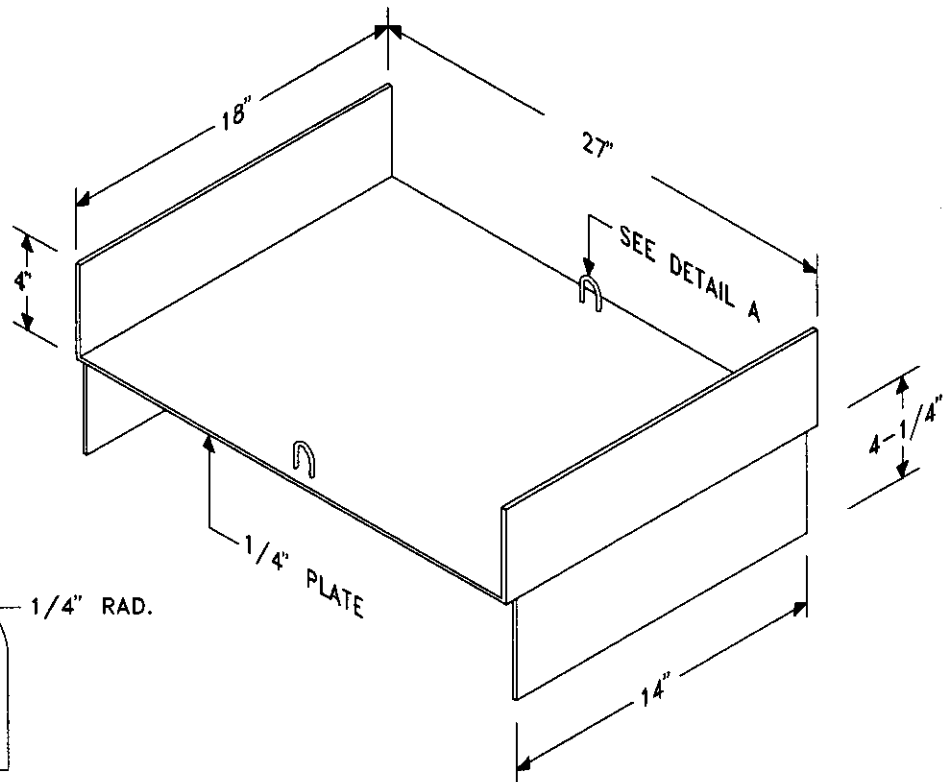
DETAIL A

DAMAGE CONTROL EQUIPMENT STOWAGE SKETCH # 028

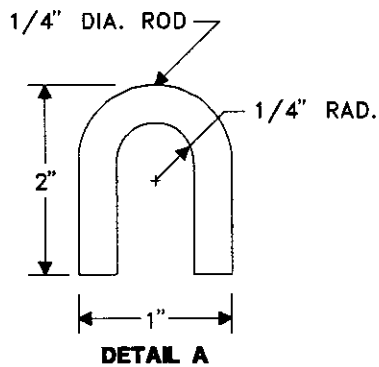
FAN STOWAGE RED DEVIL
BHD MOUNTED (GRATING)



RED DEVIL FAN STOWAGE (BHD MOUNTED)



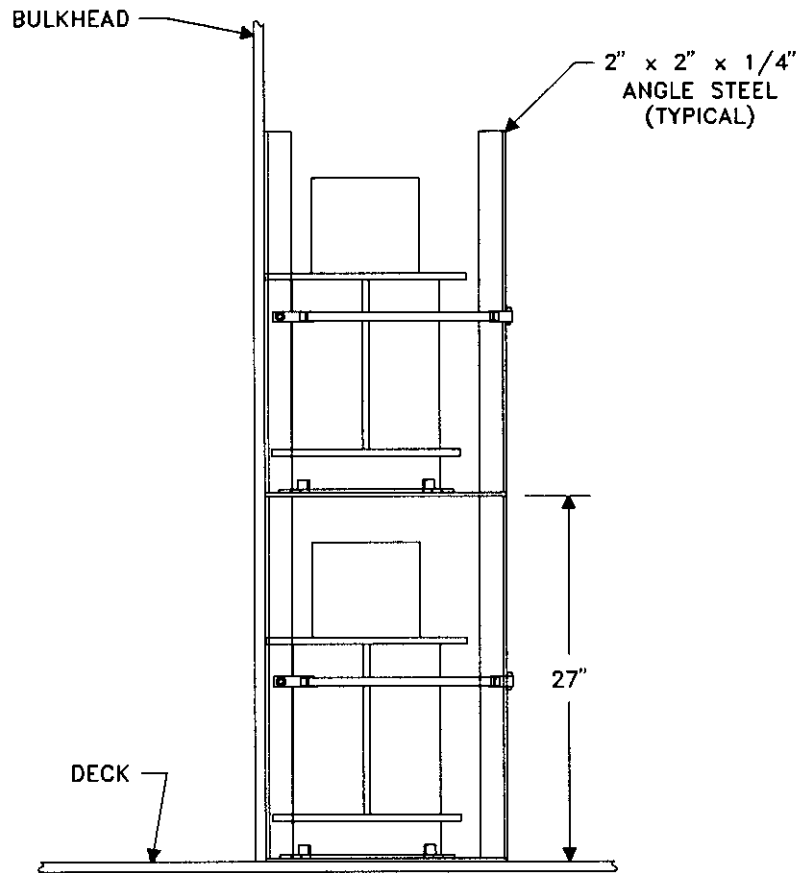
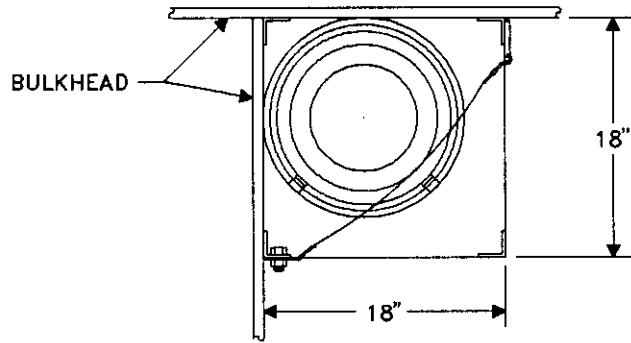
RED DEVIL FAN STOWAGE (DECK MOUNTED)



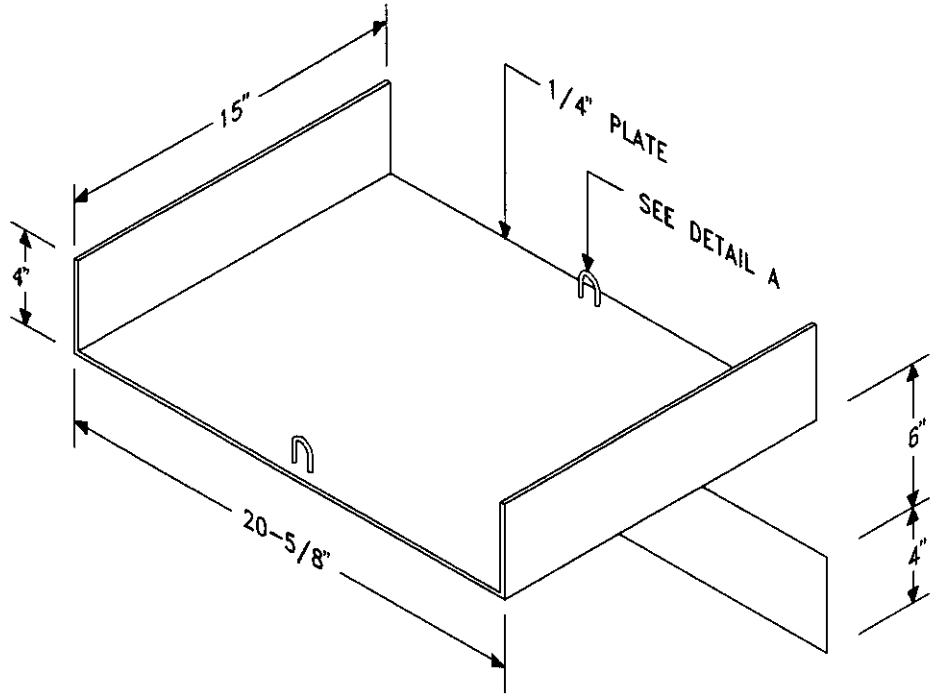
DAMAGE CONTROL EQUIPMENT STOWAGE SKETCH # 029

**FAN STOWAGE RED DEVIL
BHD/DK MOUNTED (PLATE)**

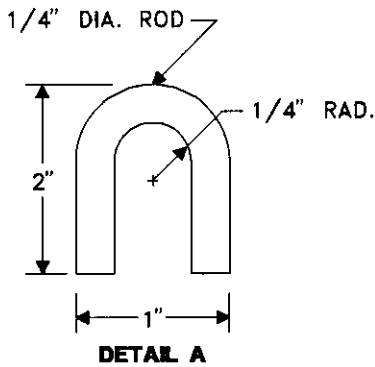
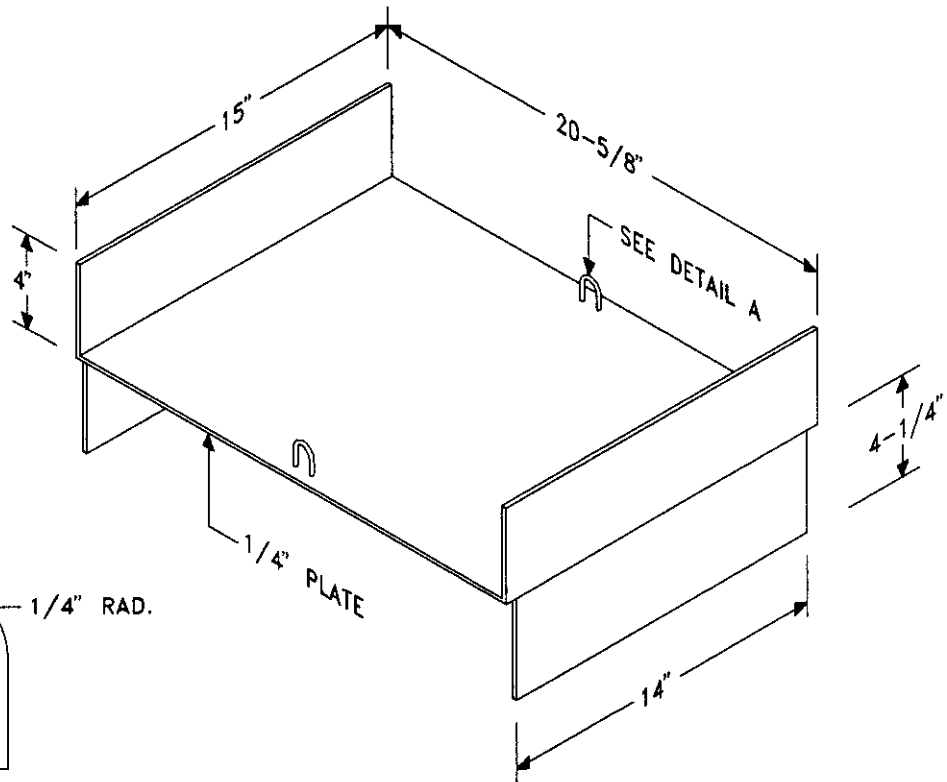
RED DEVIL FAN STOWAGE



DAMAGE CONTROL EQUIPMENT STOWAGE SKETCH # 030
FAN STOWAGE RED DEVIL
VERTICAL POSITION



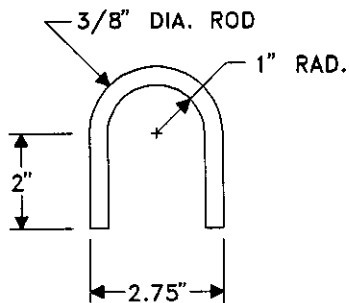
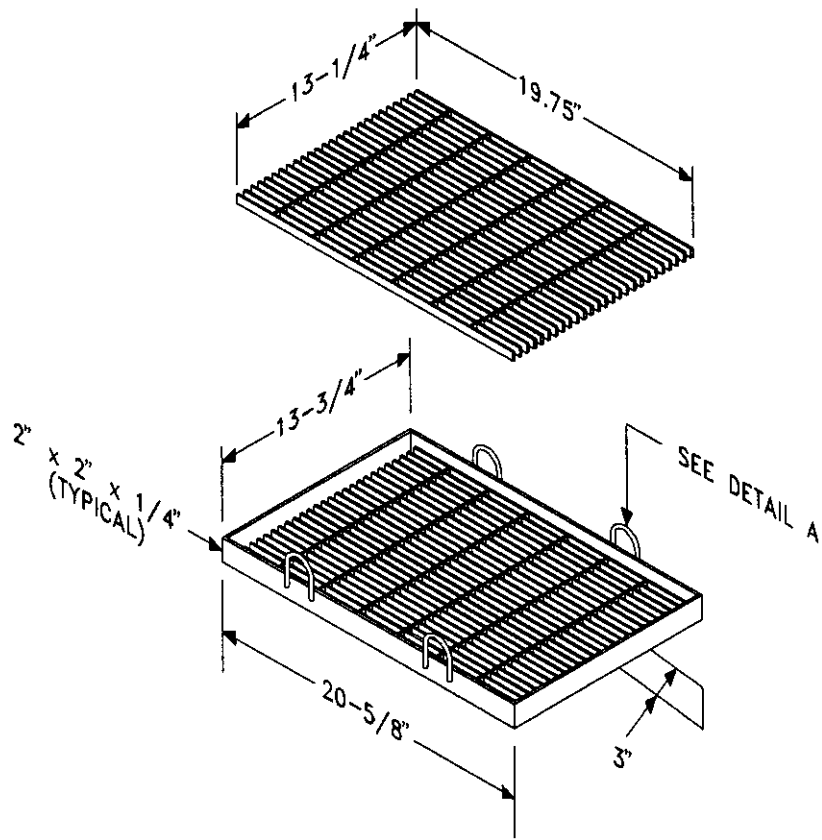
TUBEAXIAL FAN STOWAGE (BHD MOUNTED)



TUBEAXIAL FAN STOWAGE (DECK MOUNTED)

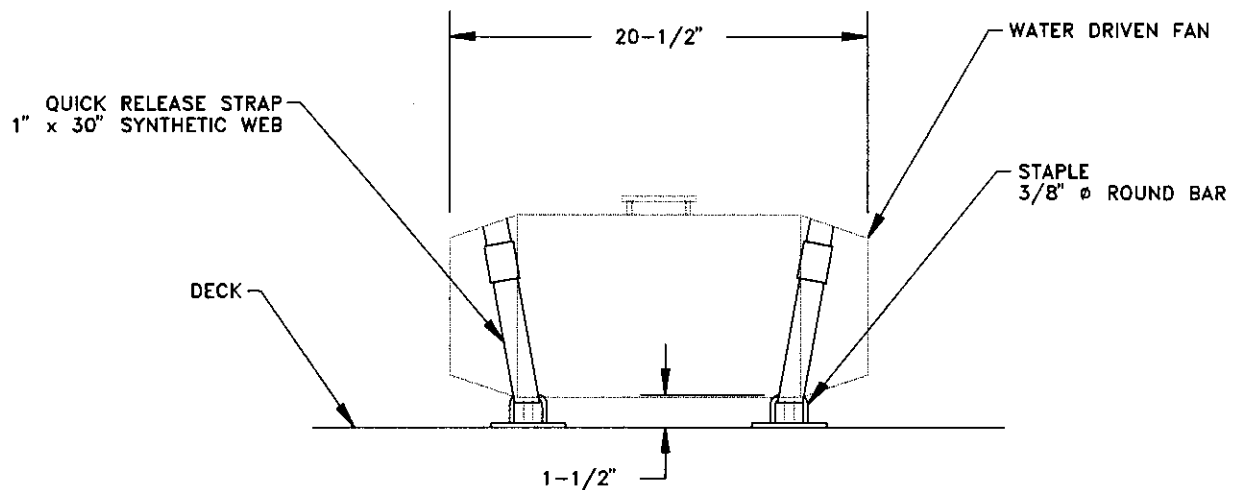
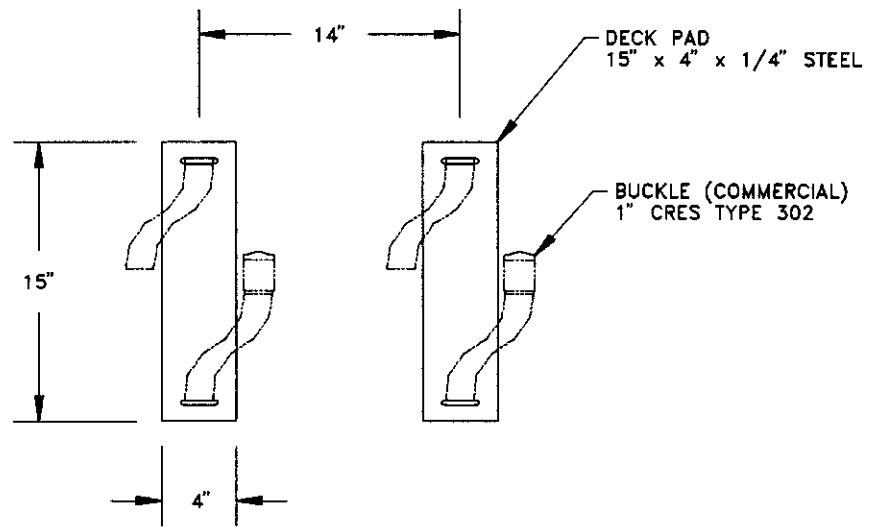
DAMAGE CONTROL EQUIPMENT STOWAGE SKETCH # 031
FAN STOWAGE (PASSAGEWAY) TUBEAXIAL
BHD/DK MOUNTED (PLATE)

WATER DRIVEN FAN STOWAGE

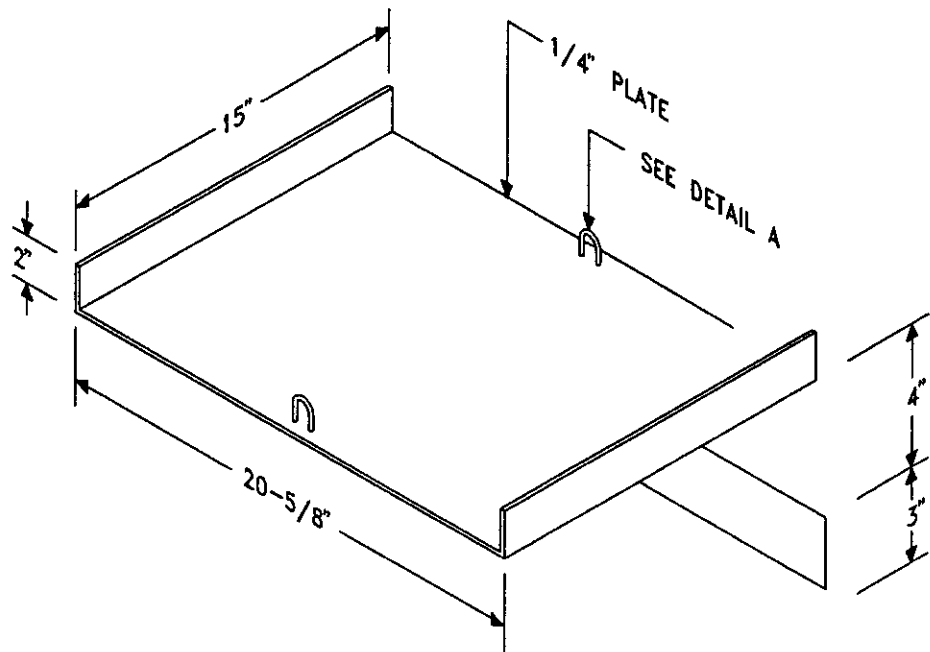


DETAIL A

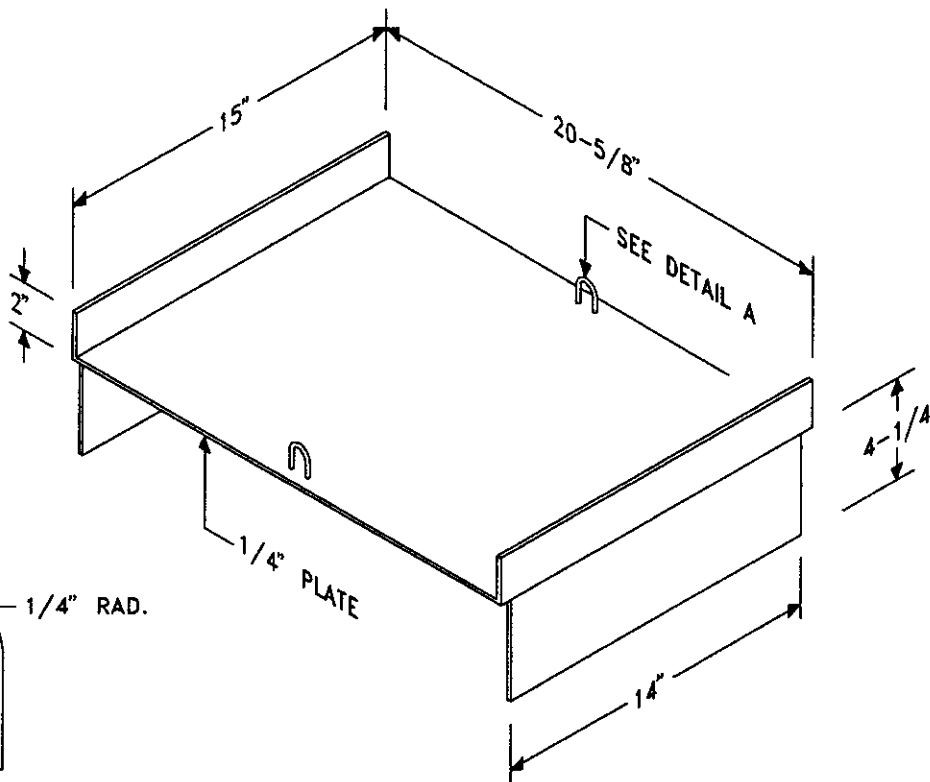
DAMAGE CONTROL EQUIPMENT STOWAGE SKETCH # 032
FAN STOWAGE (DCRS) WATER DRIVEN
BHD MOUNTED (GRATING)



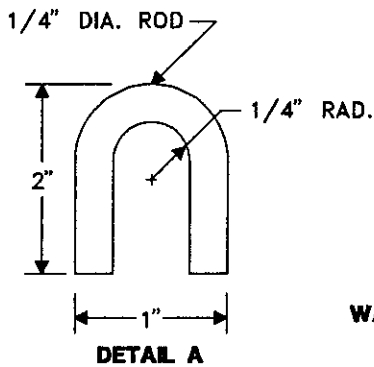
DAMAGE CONTROL EQUIPMENT STOWAGE SKETCH # 033
FAN STORAGE, WATER DRIVEN
DECK MOUNTED



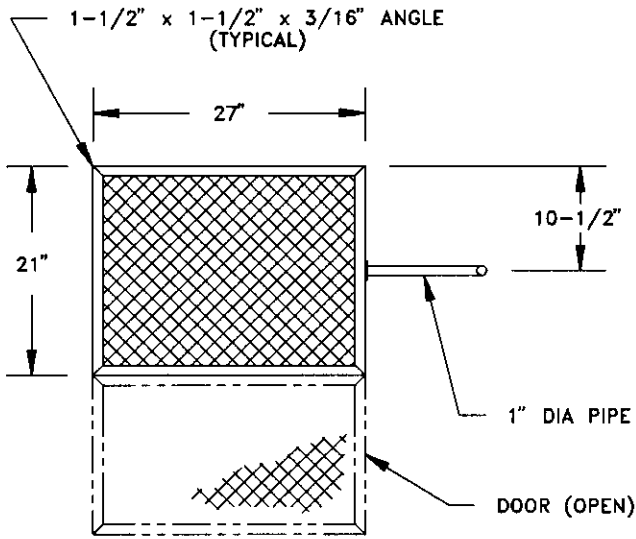
WATER DRIVEN FAN STOWAGE (BHD MOUNTED)



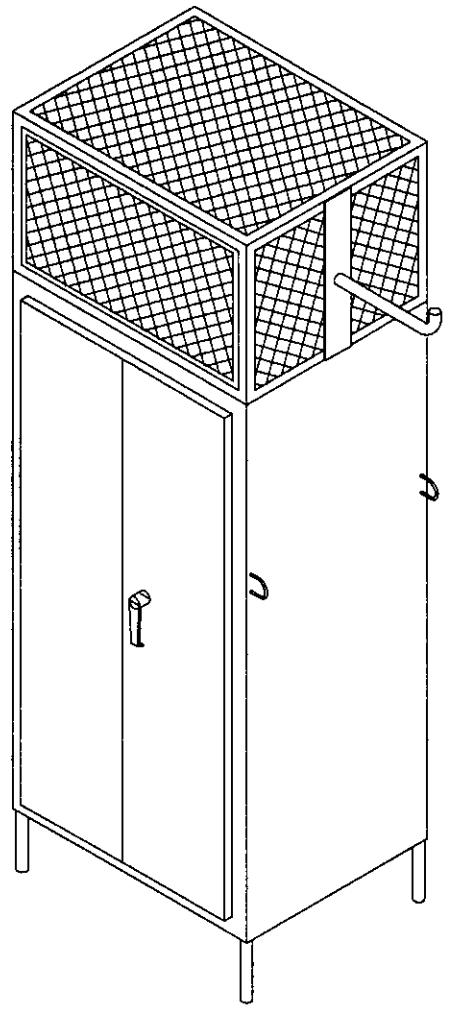
WATER DRIVEN FAN STOWAGE (DECK MOUNTED)



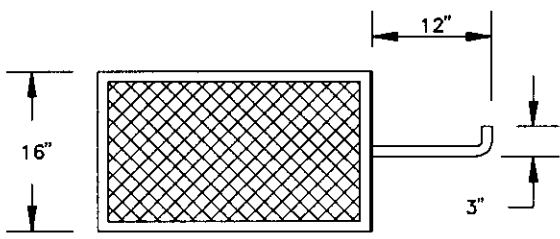
DAMAGE CONTROL EQUIPMENT STOWAGE SKETCH # 034
FAN STOWAGE WATER DRIVEN
BHD/DK MOUNTED (PLATE)



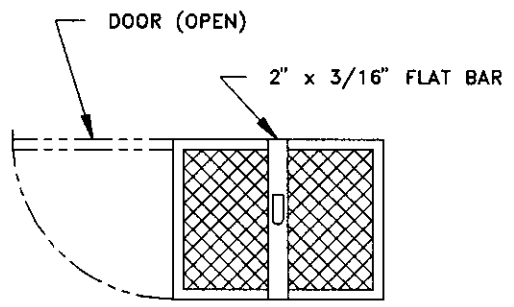
PLAN



ISOMETRIC VIEW

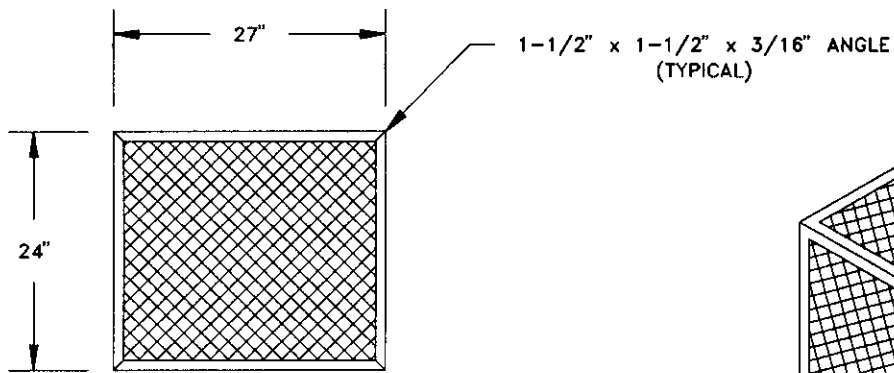


ELEVATION

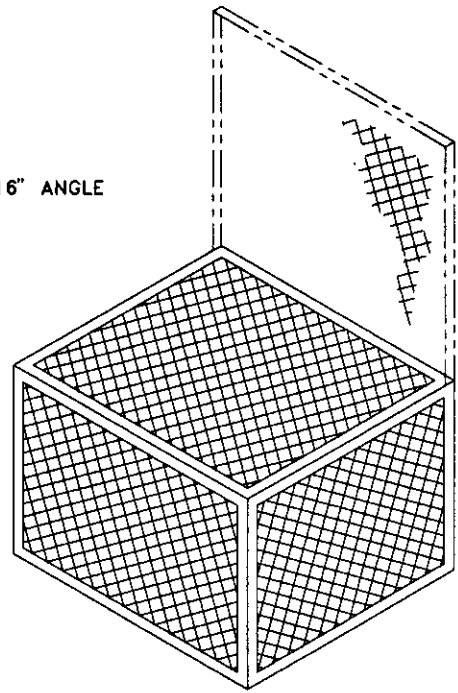


SIDE VIEW

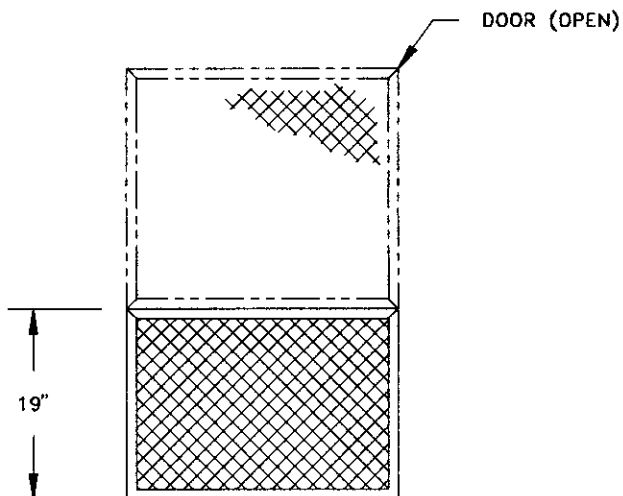
DAMAGE CONTROL EQUIPMENT STOWAGE SKETCH # 035
FIREFIGHTERS' BOOT STORAGE RACK (LOCKER MOUNTED)
VERSION 1



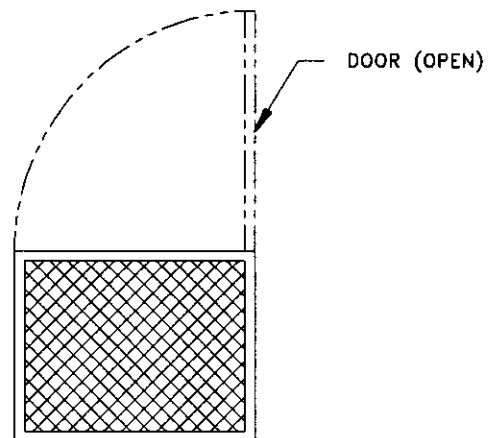
PLAN



ISOMETRIC VIEW

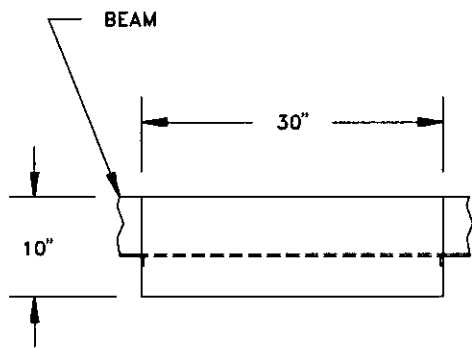


ELEVATION

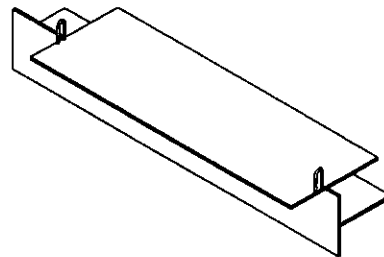


SIDE VIEW

**DAMAGE CONTROL EQUIPMENT STOWAGE SKETCH # 036
FIREFIGHTERS' BOOT STORAGE RACK (DECK MOUNTED)
VERSION 2**

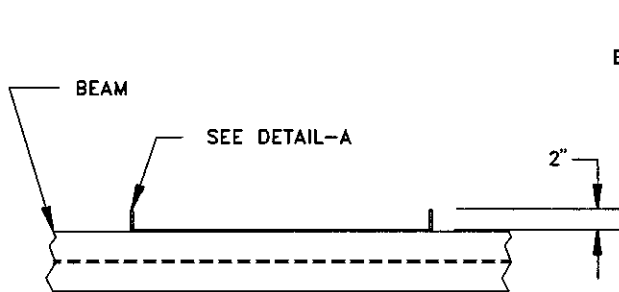


PLAN

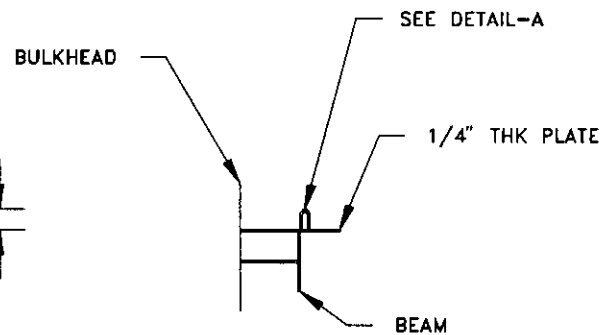


BUNGI CORD & BOOTS
NOT SHOWN FOR CLARITY.

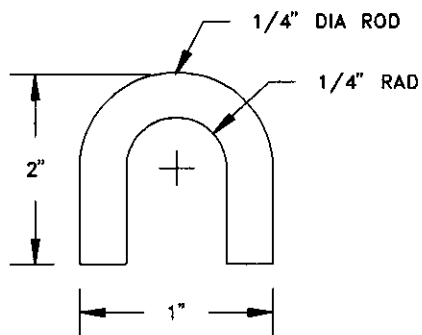
ISOMETRIC VIEW



ELEVATION



SIDE VIEW

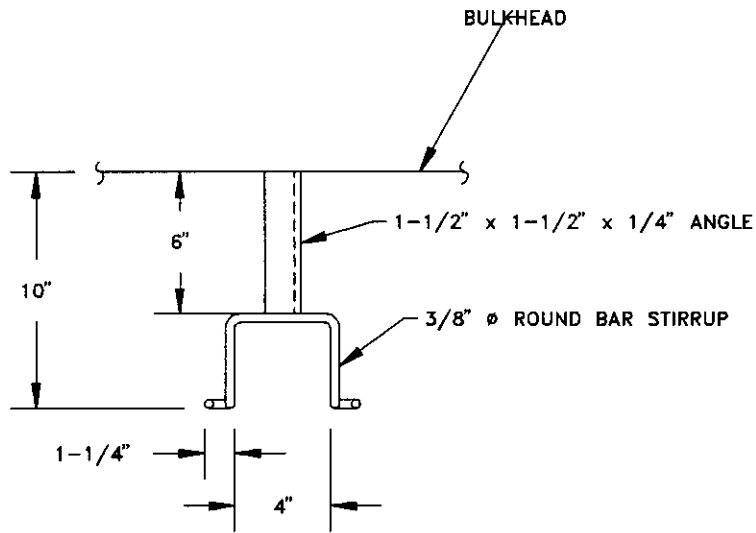


DETAIL A

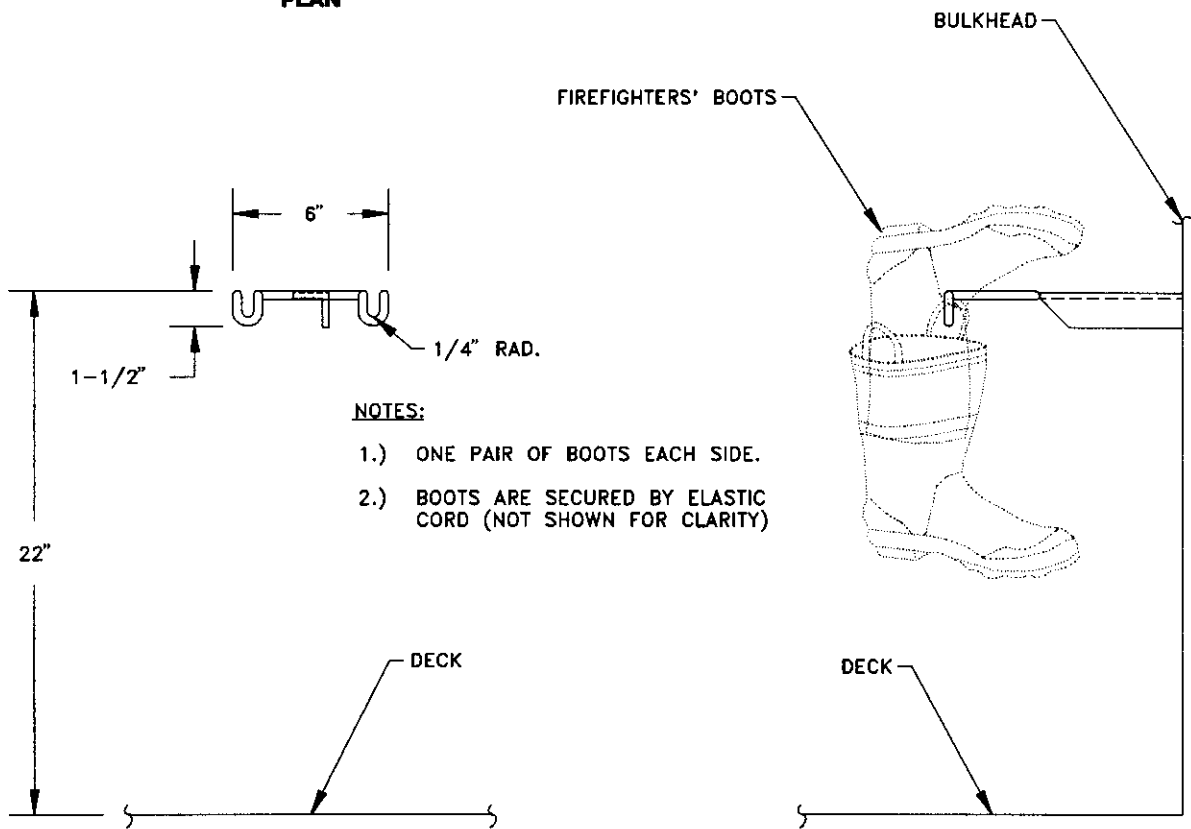
NOTES:

1. WELD PLATE TO BEAM.
2. LENGTH/BOOT STOWAGE RATIO:
 - 10 INCHES = 1 PAIR
 - 20 INCHES = 2 PAIRS
 - 30 INCHES = 3 PAIRS
 - 40 INCHES = 4 PAIRS
 - 50 INCHES = 5 PAIRS
 - 60 INCHES = 6 PAIRS (MAX)

**DAMAGE CONTROL EQUIPMENT STOWAGE SKETCH # 037
FIREFIGHTERS' BOOT STOWAGE RACK (BEAM MOUNTED)
VERSION 3**



PLAN



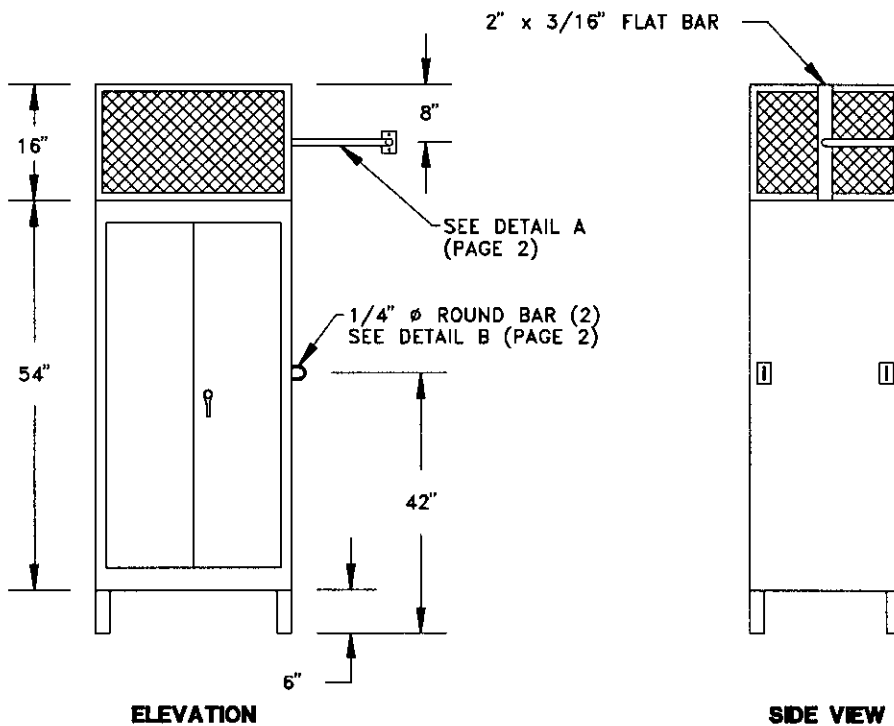
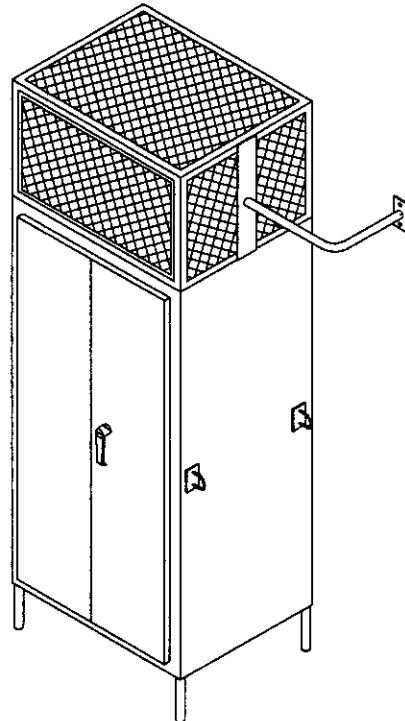
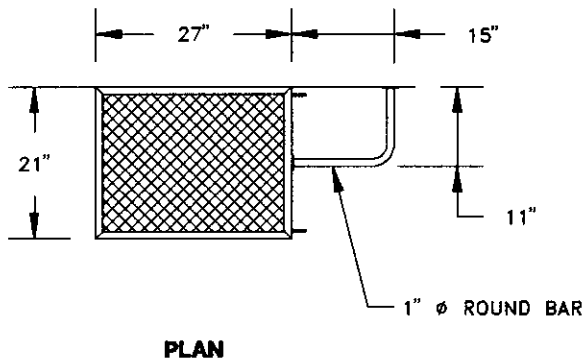
NOTES:

- 1.) ONE PAIR OF BOOTS EACH SIDE.
- 2.) BOOTS ARE SECURED BY ELASTIC CORD (NOT SHOWN FOR CLARITY)

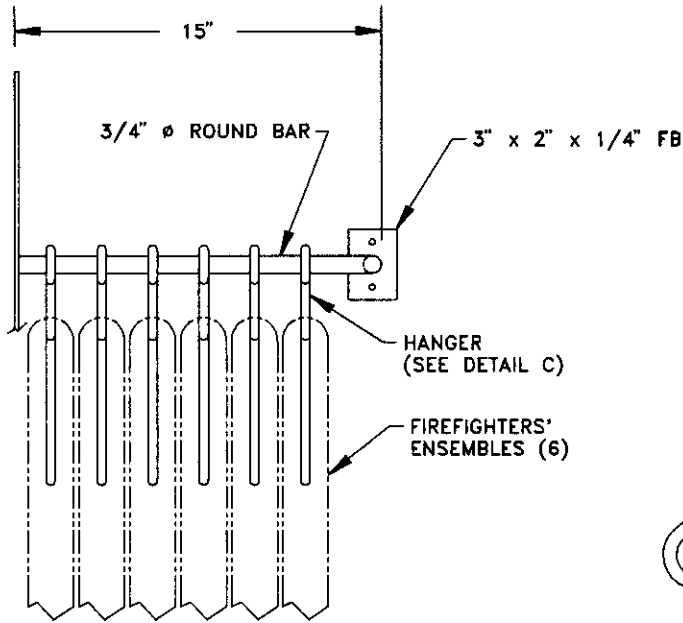
ELEVATION

SIDE VIEW

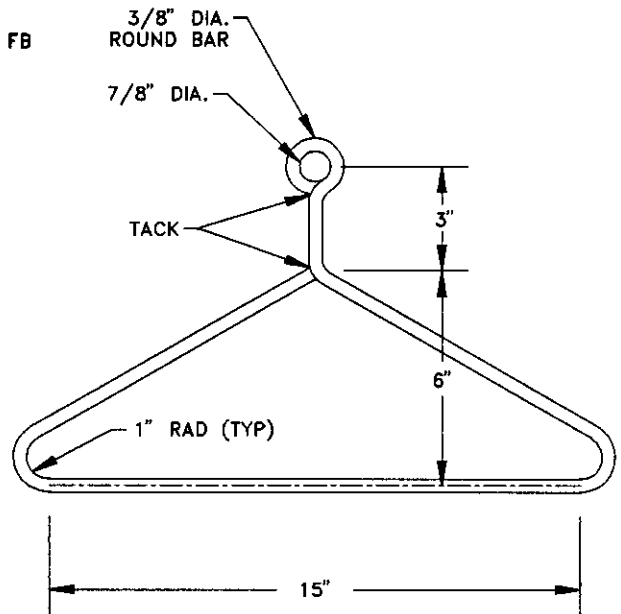
**DAMAGE CONTROL EQUIPMENT STOWAGE SKETCH # 038
 FIREFIGHTERS' BOOT STOWAGE (BHD MOUNTED)
 VERSION 4**



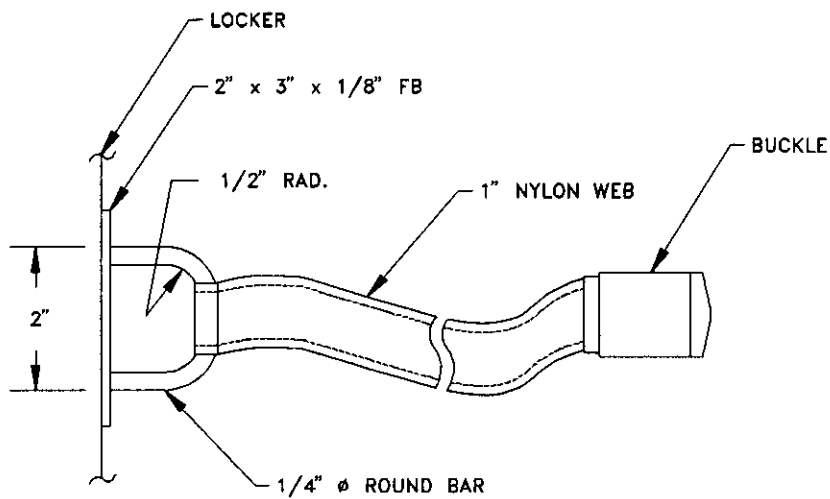
DAMAGE CONTROL EQUIPMENT STOWAGE SKETCH # 039
FIREFIGHTERS' ENSEMBLE STOWAGE (HANGER BAR)
VERSION 1 (PAGE 1 OF 2)



DETAIL A

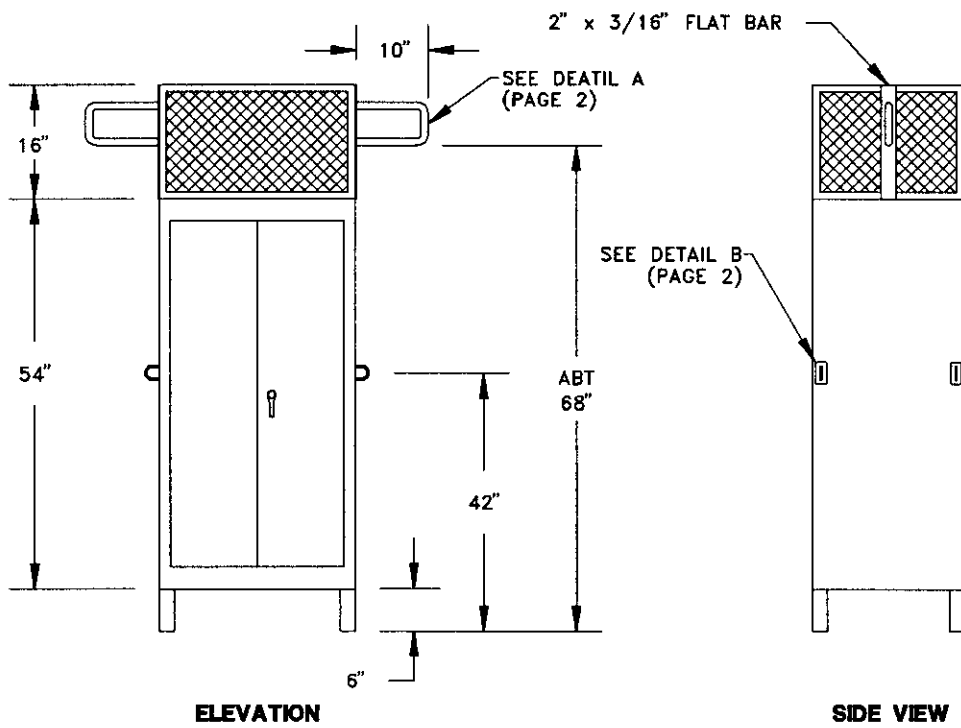
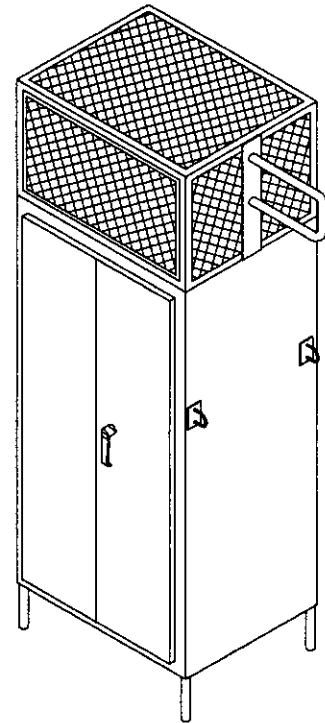
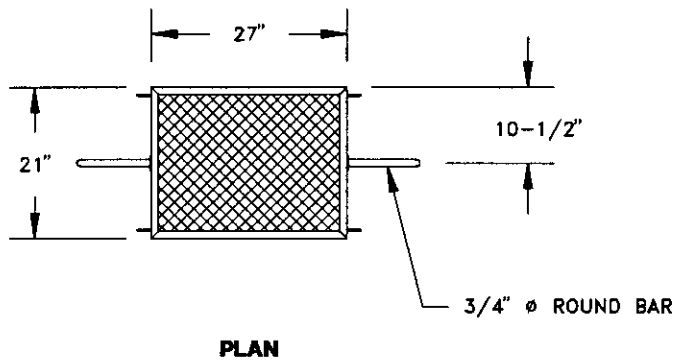


DETAIL C

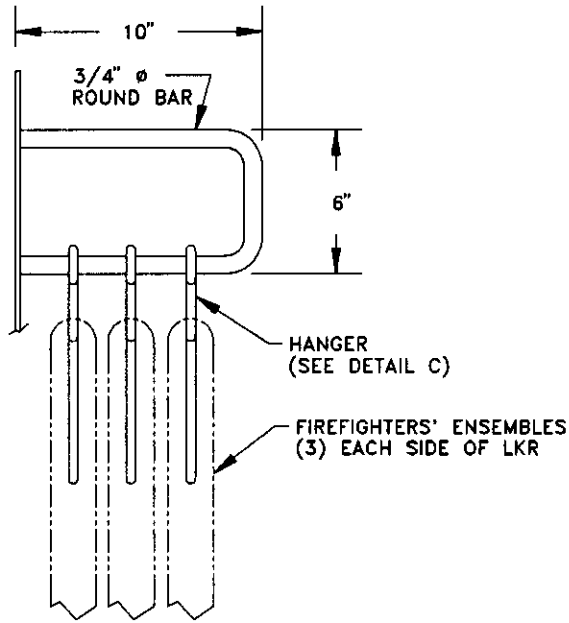


DETAIL B

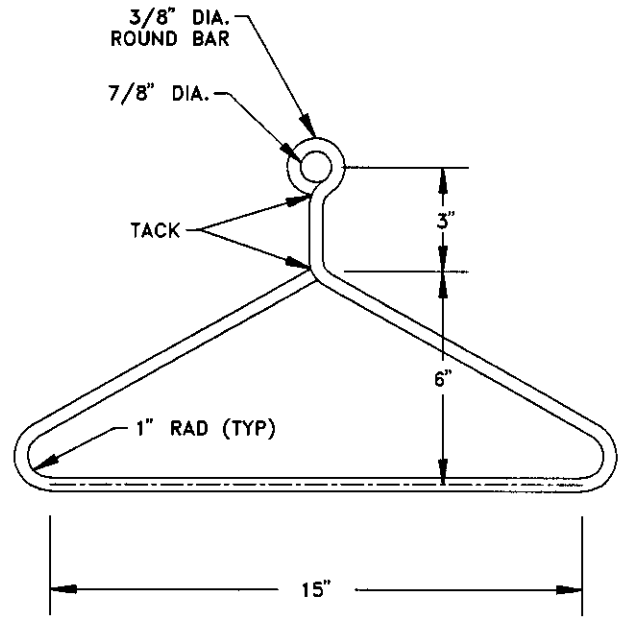
DAMAGE CONTROL EQUIPMENT STOWAGE SKETCH # 039
FIREFIGHTERS' ENSEMBLE STOWAGE (HANGER BAR)
VERSION 1 (PAGE 2 OF 2)



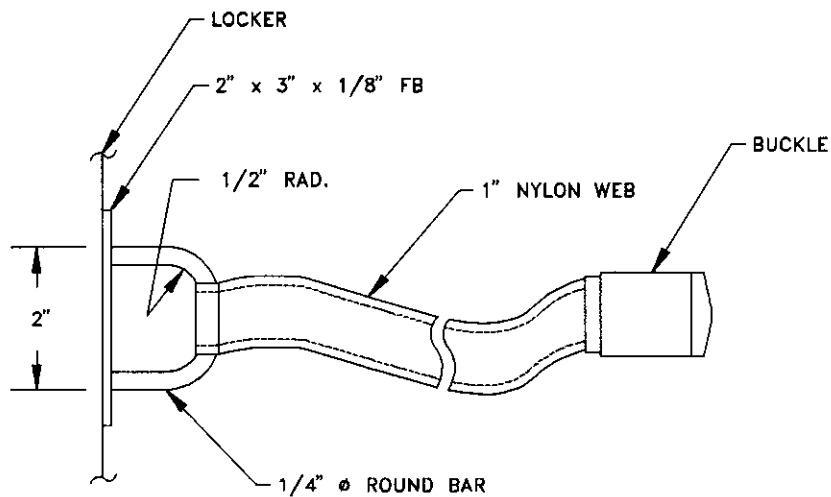
DAMAGE CONTROL EQUIPMENT STOWAGE SKETCH # 040
FIREFIGHTERS' ENSEMBLE STOWAGE (HOOK)
VERSION 2 (PAGE 1 OF 2)



DETAIL A

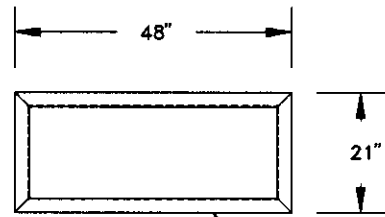
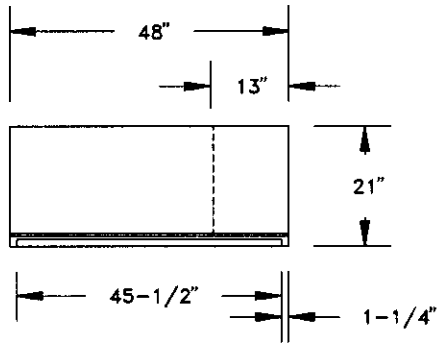


DETAIL C



DETAIL B

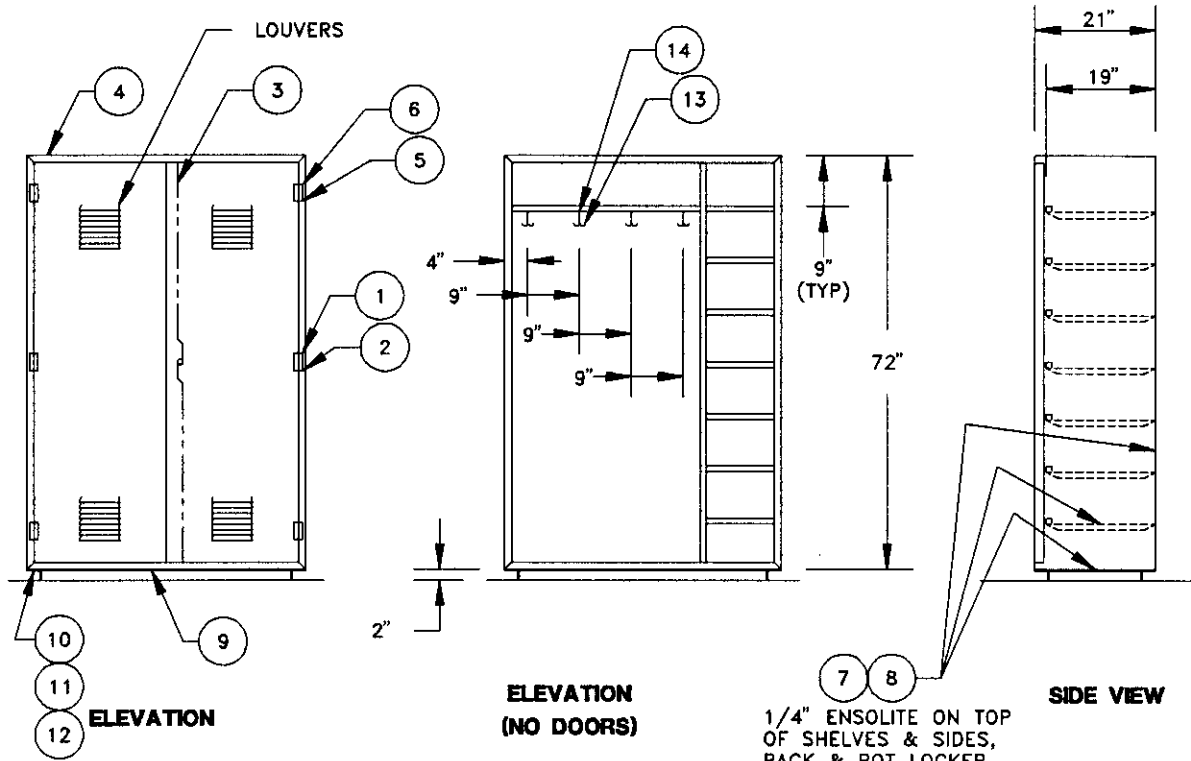
DAMAGE CONTROL EQUIPMENT STOWAGE SKETCH # 040
FIREFIGHTERS' ENSEMBLE STOWAGE (HOOK)
VERSION 2 (PAGE 2 OF 2)



PLAN (SUB-BASE)

9 SUB-BASE
2-1/2" x 2" x 3/16"
ANGLE

PLAN



ELEVATION

**ELEVATION
(NO DOORS)**

SIDE VIEW

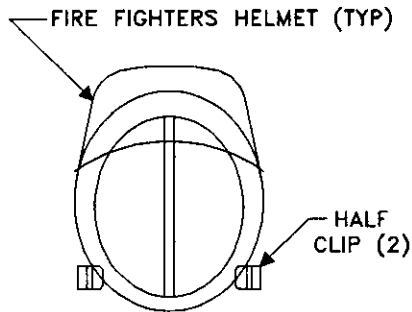
7 8
1/4" ENSOLITE ON TOP
OF SHELVES & SIDES,
BACK & BOT LOCKER

DAMAGE CONTROL EQUIPMENT STOWAGE SKETCH # 041
FIREFIIGHTERS' ENSEMBLE COVERALL STOWAGE LOCKER
VERSION 3 (PAGE 1 OF 2)

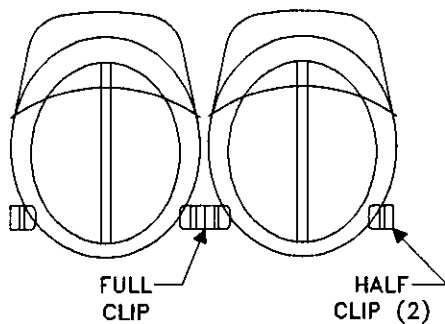
		LIST OF MATERIAL			
QTY	ASSY PART NO.	NAME	MATERIAL	REFERENCES	REMARKS
6	1	HINGE, 2" x 1-5/8"	STL CAD PLTD	NN STOCK 17-15-302	
6	2	ANTI-RATTLER	RUBBER PURE GUM		
1	3	LOCKING DEVICE	SEE DET DWG	ASSY64, REF 6	
1	4	LOCKER	SEE DET DWG	REF 5	
36	5	HUCK RIVET SELF PLUGGING BLIND NO. P-6-D	ALUMINUM		
12	6	HUCK COMMERCIAL LOCK BOLT NO. CLPB F6-2	ALUMINUM		
AS REQ'D	7	1/4" ENSOLITE	TY III RUBBER		MIL-P-15280
AS REQ'D	8	BONDING AGENT	CEMENT		MIL-A-24179
12LF	9	ANGLE, BASE, 2-1/2" x 2" x 3/16"	MED STL		
24	10	BOLT, 1/4"-20UNC 2A	STL (ZINC COAT)		L-3/4"
24	11	NUT, HEX 1/4"-20UNC 2B	STL (ZINC COAT)		TACK WELD TO PT # 9 IN SHOP
24	12	WASHER, LOCK, 1/4"	STL (ZINC COAT)		
4	13	HOOK, COAT CEILING MOUNTED	COM'L STL	BLAINE WINDOW INC. PT # 6212	OR EQUAL
8	14	RIVET, AVEX 3/16" DIA.	COM'L AL		OR EQUAL

**DAMAGE CONTROL EQUIPMENT STOWAGE SKETCH # 041
FIREFIGHTERS' ENSEMBLE COVERALL STOWAGE LOCKER
VERSION 3 (PAGE 2 OF 2)**

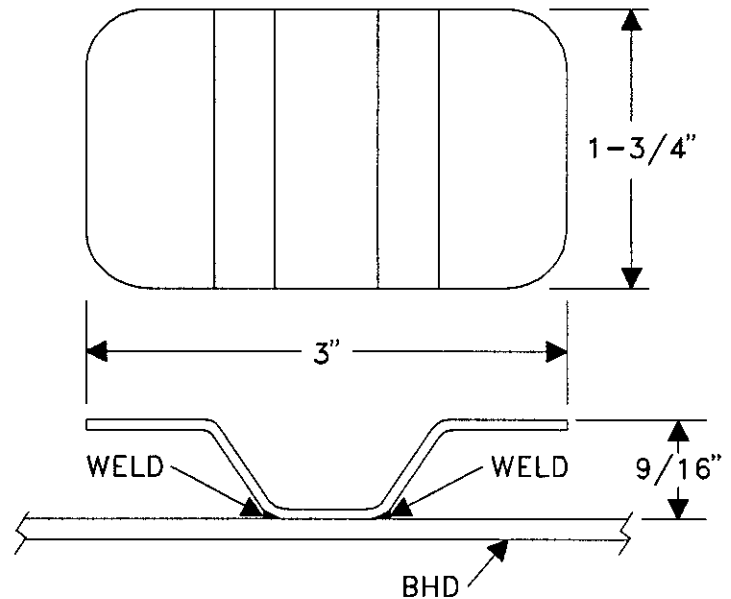
BUTTERFLY CLIP USED FOR STORAGE OF FIRE FIGHTERS HELMET - MATERIAL TO BE CRES/CARBON STEEL 1/4 LB PLATE - DEBURR ALL EDGES.



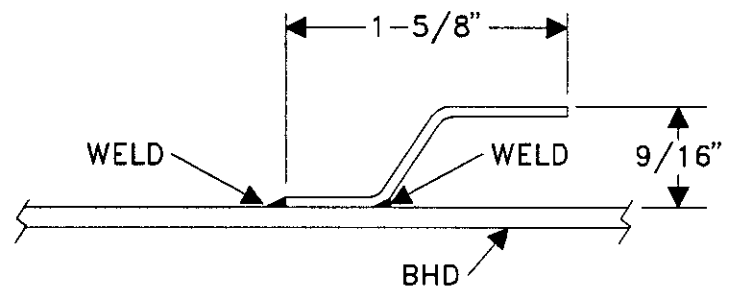
INSTALLATION MOUNTING SINGLE HELMET



INSTALLTION MOUNTING HELMETS SIDE BY SIDE



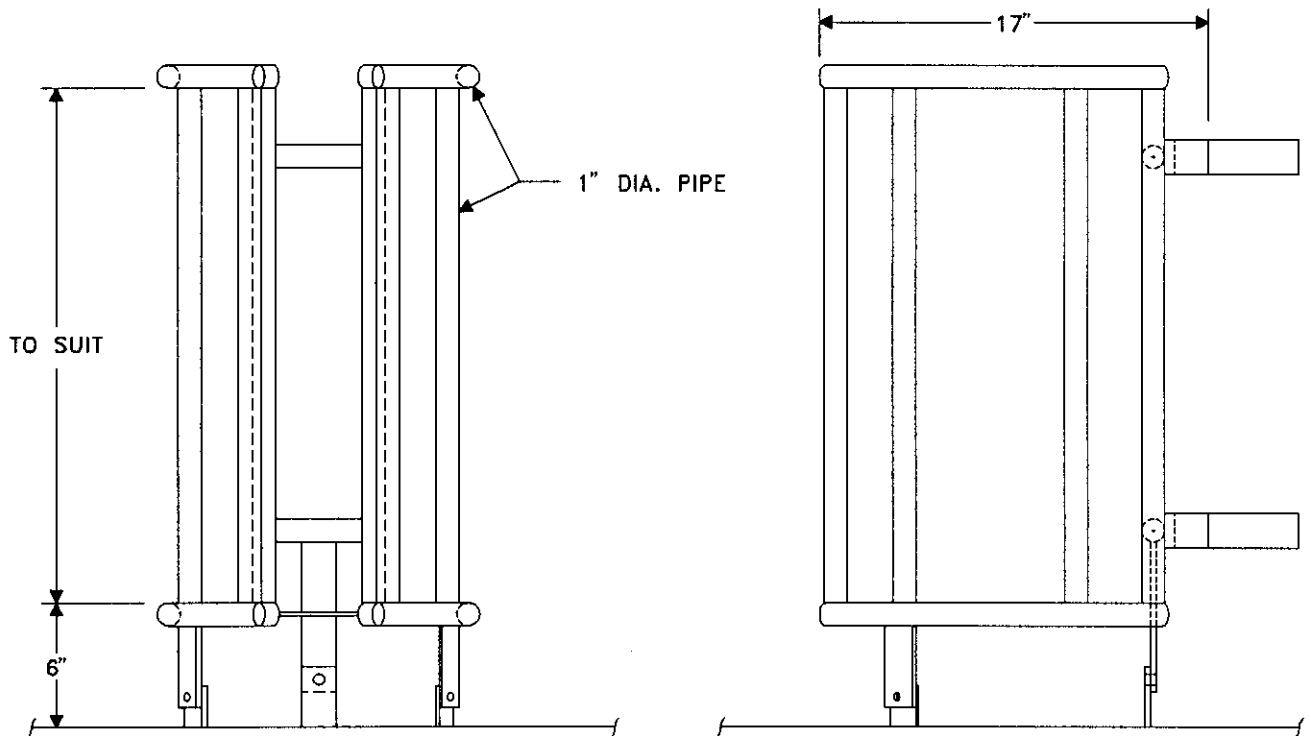
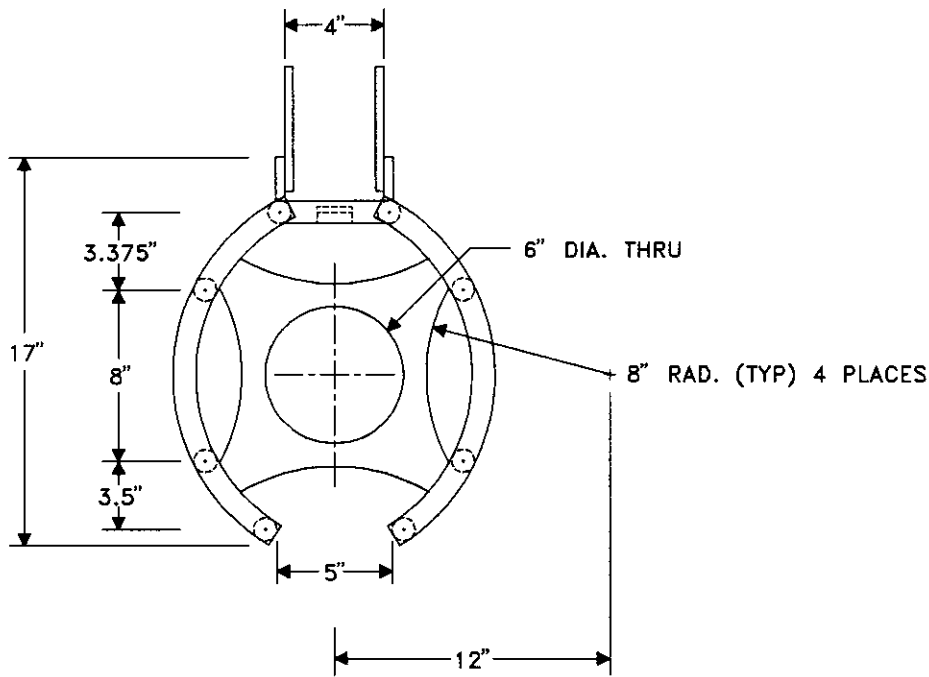
BUTTERFLY CLIP - FULL



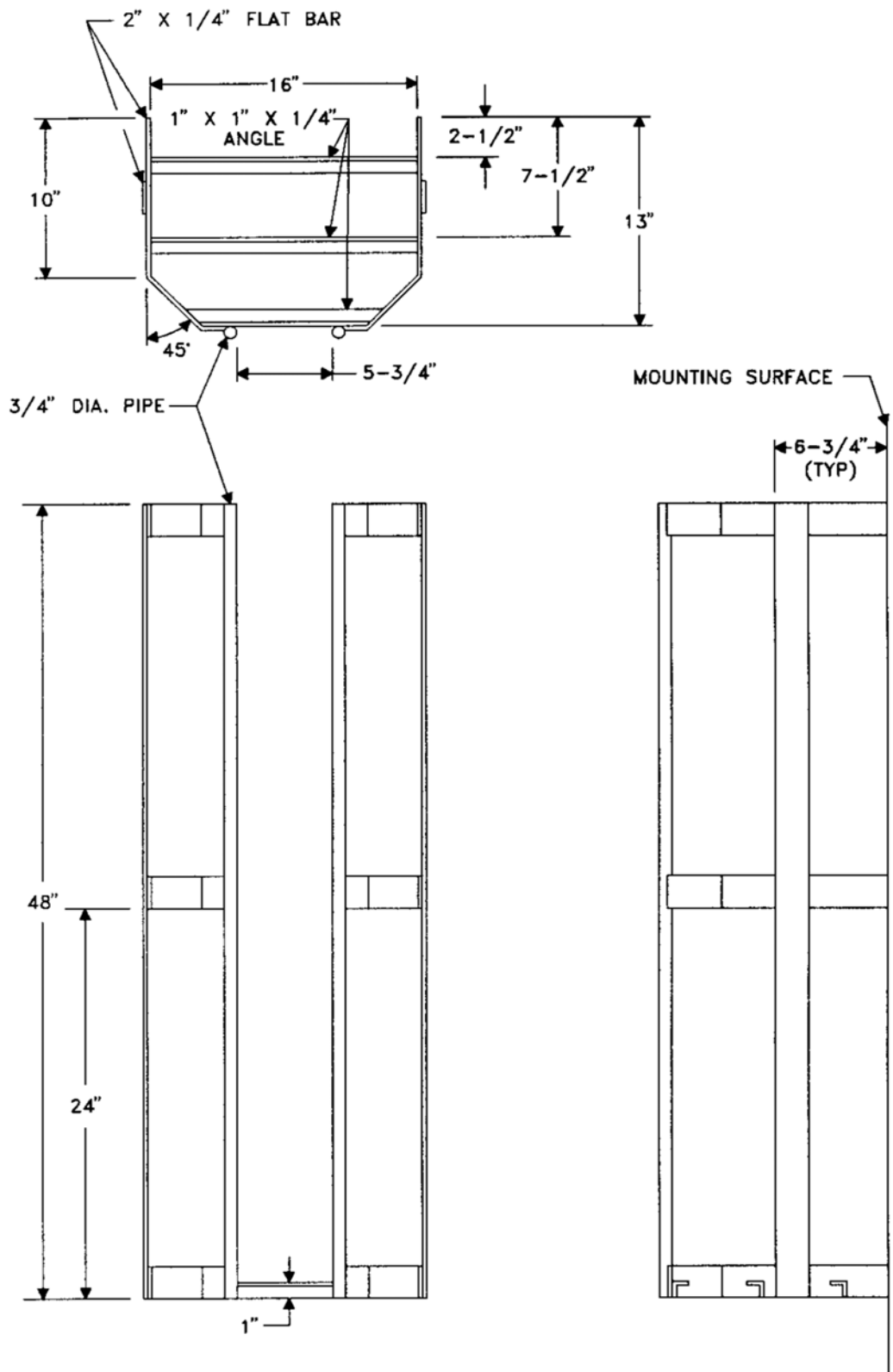
BUTTERFLY CLIP - HALF

- NOTE:
1. CUT CLIP IN HALF FOR SINGLE HELMET MOUNTING, USE FULL CLIP WHEN MOUNTING HELMETS SIDE BY SIDE.
 2. USE HELMET AS MODEL FOR DISTANCE WHEN INSTALLING CLIPS.

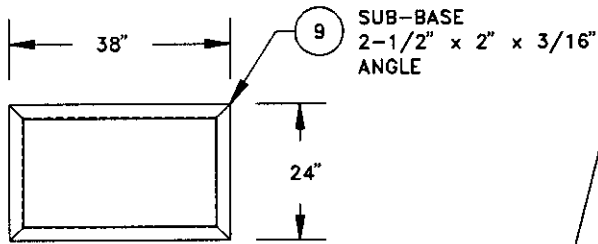
DAMAGE CONTROL EQUIPMENT STOWAGE SKETCH # 042
FIREFIGHTERS' HELMET STOWAGE
(BUTTERFLY CLIP)



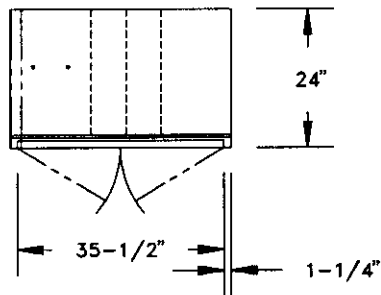
DAMAGE CONTROL EQUIPMENT STOWAGE SKETCH # 043
FIREFIGHTERS' HELMET STORAGE RACK
VERSION 1



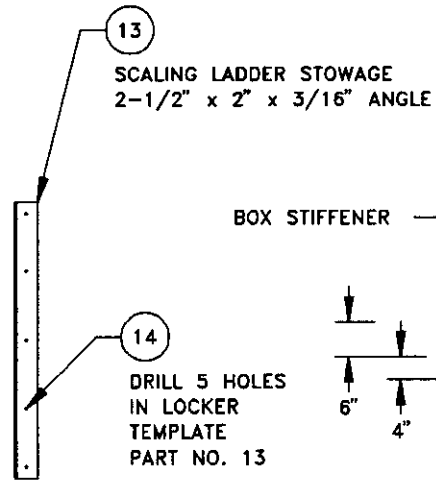
DAMAGE CONTROL EQUIPMENT STOWAGE SKETCH # 044
FIREFIIGHTERS' HELMET STOWAGE RACK
VERSION 2 (LIGHT WEIGHT)



PLAN (SUB-BASE)



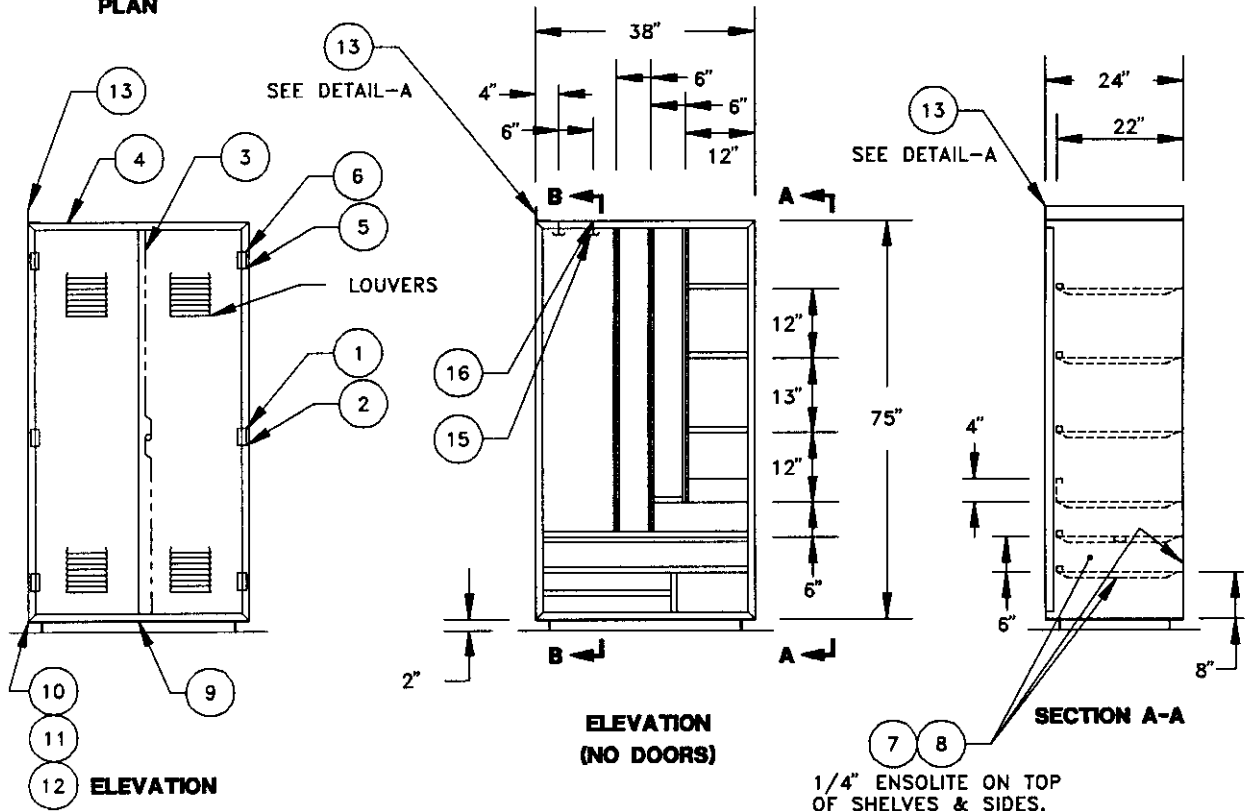
PLAN



DETAIL-A
(ENLARGED)

BOX STIFFENER

SECTION B-B



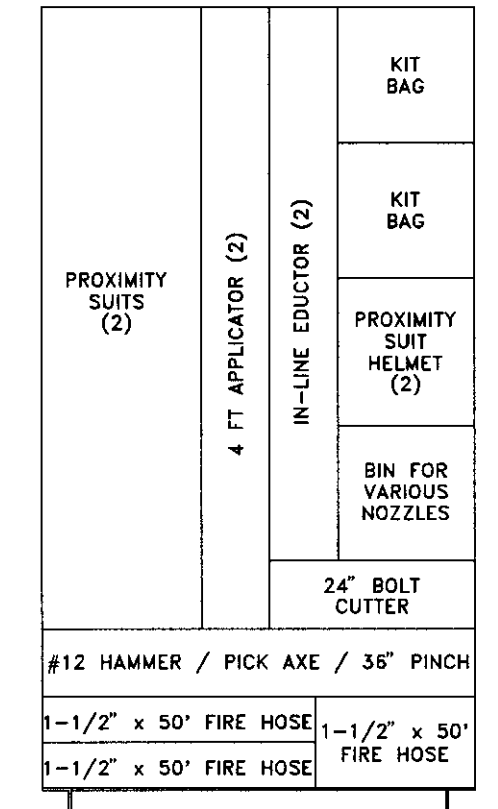
ELEVATION

ELEVATION
(NO DOORS)

SECTION A-A

1/4" ENSOLITE ON TOP
OF SHELVES & SIDES,
BACK & BOT LOCKER

DAMAGE CONTROL EQUIPMENT STORAGE SKETCH # 045
FIREFIGHTING EQUIPMENT & PROXIMITY SUIT STORAGE LOCKER
PAGE 1 OF 3

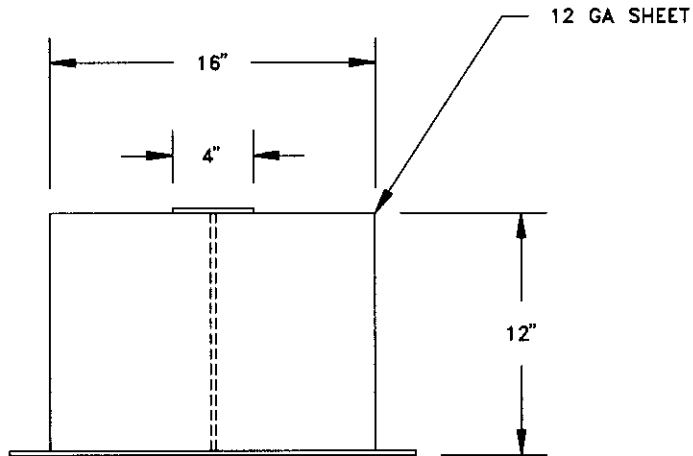


STOWAGE GUIDANCE PLAN

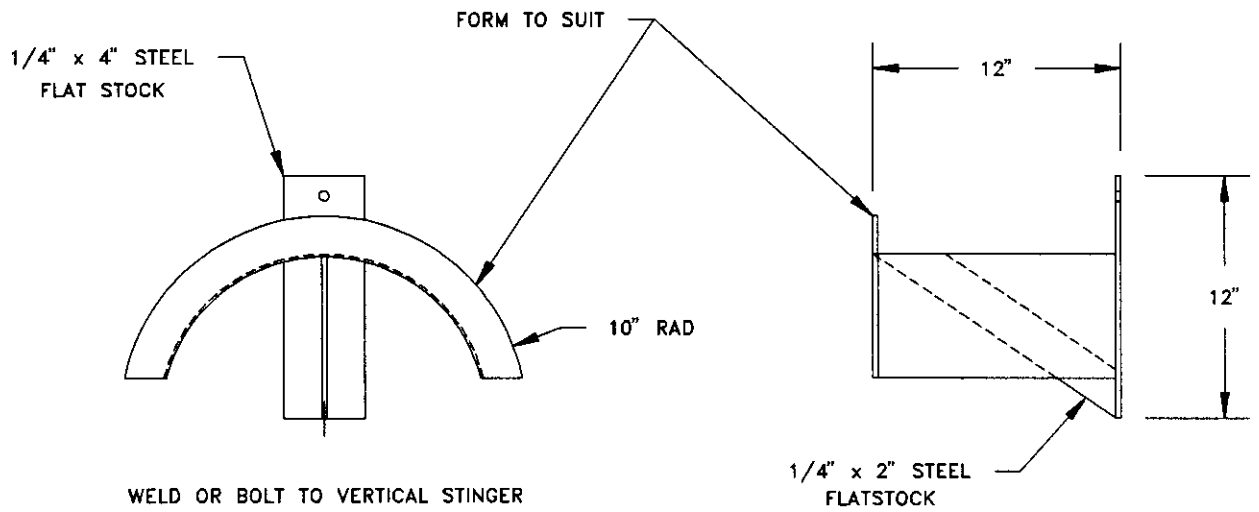
**DAMAGE CONTROL EQUIPMENT STOWAGE SKETCH # 045
 FIREFIGHTING EQUIPMENT & PROXIMITY SUIT STOWAGE LOCKER
 PAGE 2 OF 3**

LIST OF MATERIAL					
QTY	ASSY PART NO.	NAME	MATERIAL	REFERENCES	REMARKS
6	1	HINGE, 2" x 1-5/8"	STL CAD PLTD	NN STOCK 17-15-302	
6	2	ANTI-RATTLER	RUBBER PURE GUM		
1	3	LOCKING DEVICE	SEE DET DWG	ASSY64, REF 6	
1	4	LOCKER	SEE DET DWG	REF 5	
36	5	HUCK RIVET SELF PLUGGING BLIND NO. P-6-D	ALUMINUM		
12	6	HUCK COMMERCIAL LOCK BOLT NO. CLPB F6-2	ALUMINUM		
AS REQ'D	7	1/4" ENSOLITE	TY III RUBBER		MIL-P-15280
AS REQ'D	8	BONDING AGENT	CEMENT		MIL-A-24179
12LF	9	ANGLE, BASE, 2-1/2" x 2" x 3/16"	MED STL		
24	10	BOLT, 1/4"-20UNC 2A	STL (ZINC COAT)		L-3/4"
24	11	NUT, HEX 1/4"-20UNC 2B	STL (ZINC COAT)		TACK WELD TO PT # 9 IN SHOP
24	12	WASHER, LOCK	STL (ZINC COAT)		
1	13	SCALING LADDER	MED STL		
5	14	RIVET, AVEX 3/16" DIA.	COM'L AL		OR EQUAL
2	15	HOOK, COAT CEILING MOUNTED	COM'L STL	BLAINE WINDOW INC. PT # 6212	OR EQUAL
4	16	RIVET, AVEX 3/16" DIA.	COM'L AL		OR EQUAL

DAMAGE CONTROL EQUIPMENT STOWAGE SKETCH # 045
FIREFIGHTING EQUIPMENT & PROXIMITY SUIT STOWAGE LOCKER
PAGE 3 OF 3



PLAN

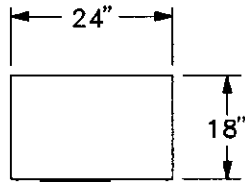


ELEVATION

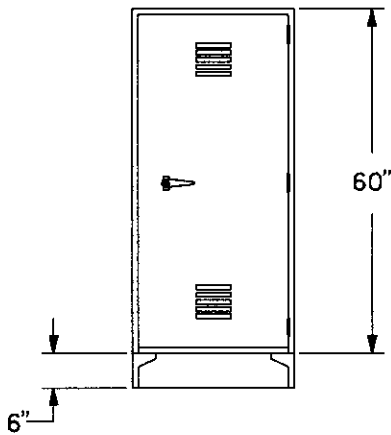
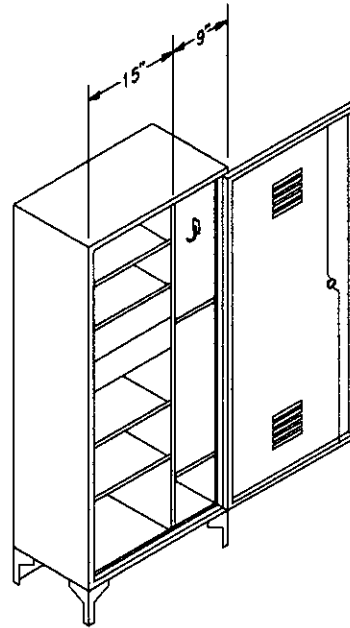
SIDE VIEW

DAMAGE CONTROL EQUIPMENT STOWAGE SKETCH # 046
FIRE HOSE HANGER STOWAGE RACK

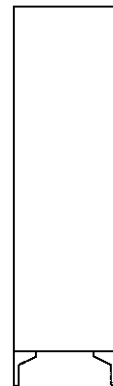
GAS FREE ENGINEER'S LOCKER
ALUMINUM



PLAN



ELEVATION

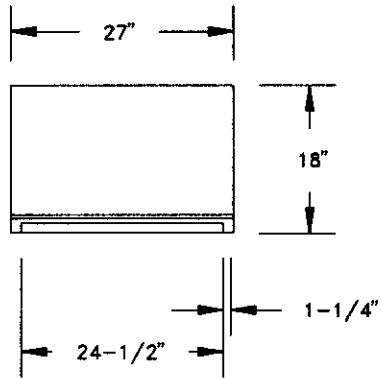


SIDE VIEW

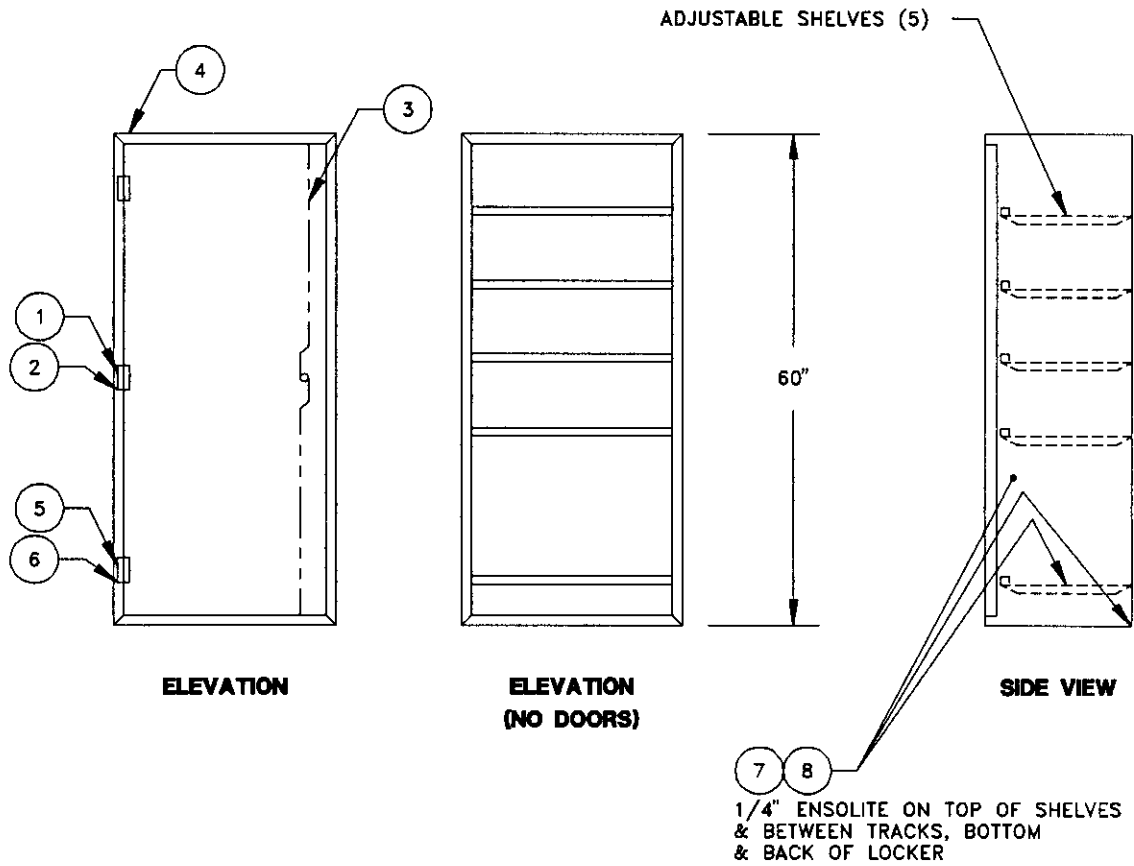
NOTES:

1. MATERIAL:
ALUMINUM - WHEN MADE IN ACCORDANCE WITH
DWG # 53605-630718 MODIFIED.
2. FINISH AS SPECIFIED.
3. DOOR HAS LEVER HANDLE WITH PADLOCK EYE AND UP & DOWN BOLTS
(PADLOCK NOT FURNISHED WITH LOCKER).
4. JAMESTOWN METAL SKETCH SK 226-1-N.
5. STENCIL 2", RED LETTERS:"GAS FREE ENGINEER".

DAMAGE CONTROL EQUIPMENT STOWAGE SKETCH # 047
GAS FREE ENGINEER STOWAGE
VERSION 1



PLAN

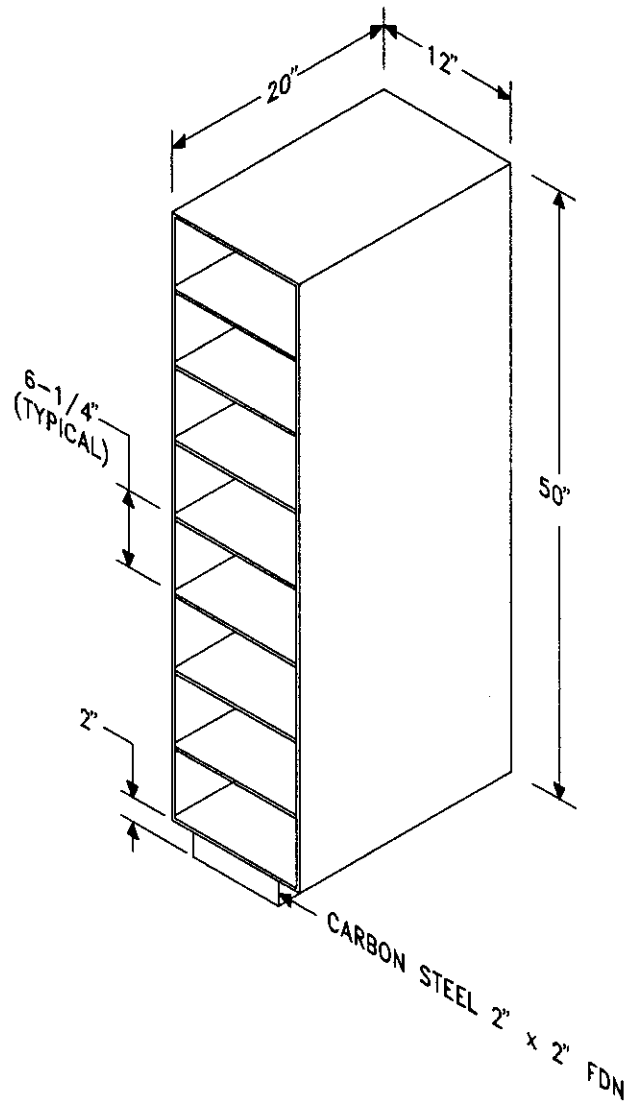


DAMAGE CONTROL EQUIPMENT STOWAGE SKETCH # 048
GAS FREE ENGINEER EQUIPMENT STOWAGE LOCKER
VERSION 2 (PAGE 1 OF 2)

ASSY		LIST OF MATERIAL			
QTY	PART NO.	NAME	MATERIAL	REFERENCES	REMARKS
6	1	HINGE, 2" x 1-5/8"	STL CAD PLTD	NN STOCK 17-15-302	
6	2	ANTI-RATTLER	RUBBER PURE GUM		
1	3	LOCKING DEVICE	SEE DET DWG	ASSY64, REF 6	
1	4	LOCKER	SEE DET DWG	REF 5	
36	5	HUCK RIVET SELF PLUGGING BLIND NO. P-6-D	ALUMINUM		
12	6	HUCK COMMERCIAL LOCK BOLT NO. CLPB F6-2	ALUMINUM		
AS REQ'D	7	1/4" ENSOLITE	TY III RUBBER		MIL-P-15280
AS REQ'D	8	BONDING AGENT	CEMENT		MIL-A-24179

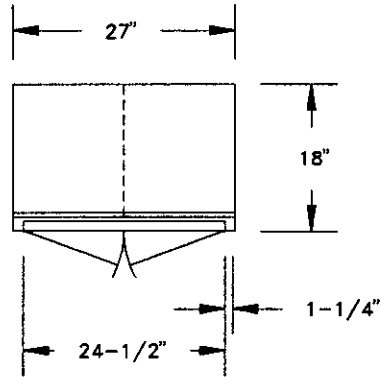
DAMAGE CONTROL EQUIPMENT STOWAGE SKETCH # 048
GAS FREE ENGINEER EQUIPMENT STOWAGE LOCKER
VERSION 2 (PAGE 2 OF 2)

MCU 2P PROTECTIVE MASK/LIFE JACKET/ANTI-FLASH GEAR
STACKED STOWAGE CABINET WITH OPTIONAL QUANTITY OF SHELVES
DEPENDING ON REQUIREMENTS AND SPACE AVAILABLE.

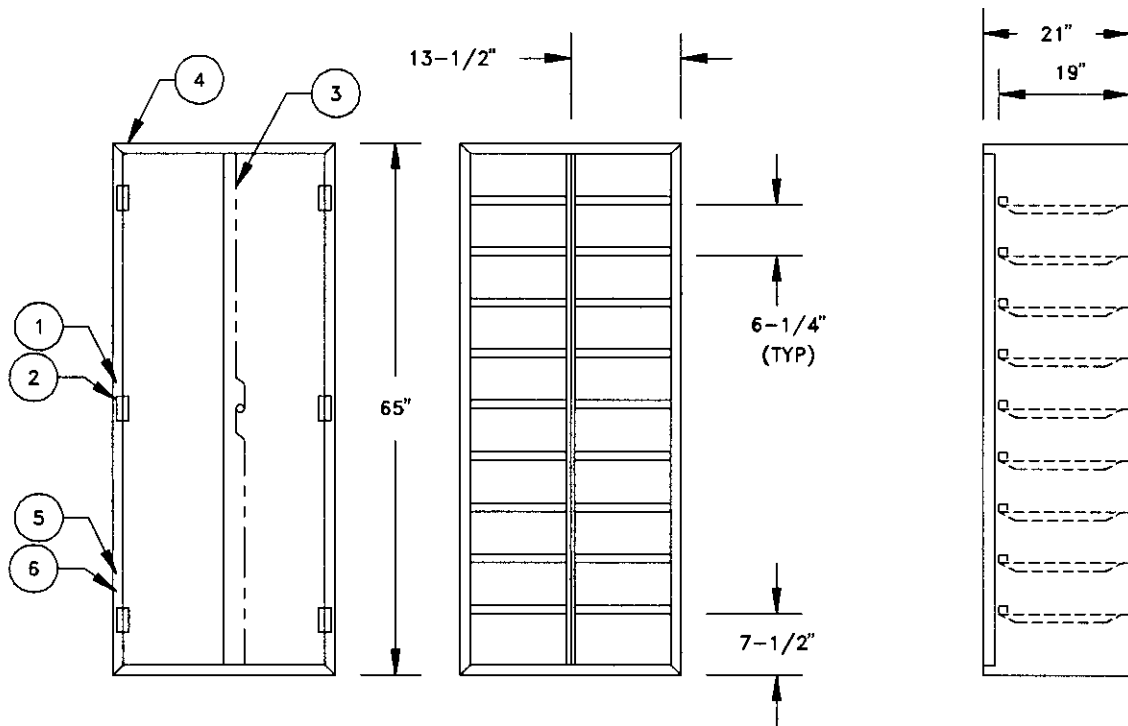


NOTE: INDIVIDUAL BOXES TO BE
.0625" ALUMINUM. SPOT WELDED.

DAMAGE CONTROL EQUIPMENT STOWAGE SKETCH # 049
GENERAL QUARTERS EQUIPMENT STOWAGE
VERSION 1



PLAN



ELEVATION

ELEVATION
(NO DOORS)

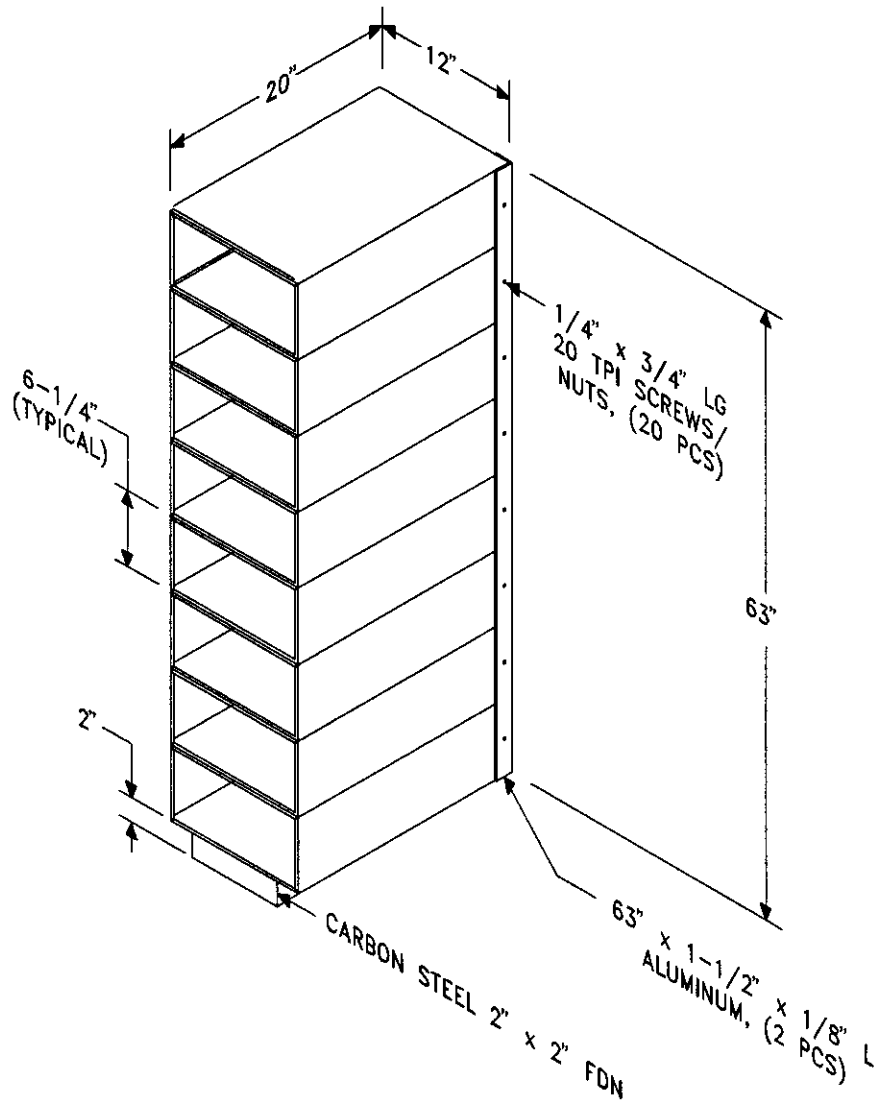
SIDE VIEW

DAMAGE CONTROL EQUIPMENT STOWAGE SKETCH # 050
GENERAL QUARTERS EQUIPMENT STOWAGE LOCKER
VERSION 2 (PAGE 1 OF 2)

		LIST OF MATERIAL			
QTY	ASSY PART NO.	NAME	MATERIAL	REFERENCES	REMARKS
6	1	HINGE, 2" x 1-5/8"	STL CAD PLTD	NN STOCK 17-15-302	
6	2	ANTI-RATTLER	RUBBER PURE GUM		
1	3	LOCKING DEVICE	SEE DET DWG	ASSY64, REF 6	
1	4	LOCKER	SEE DET DWG	REF 5	
36	5	HUCK RIVET SELF PLUGGING BLIND NO. P-6-D	ALUMINUM		
12	6	HUCK COMMERCIAL LOCK BOLT NO. CLPB F6-2	ALUMINUM		

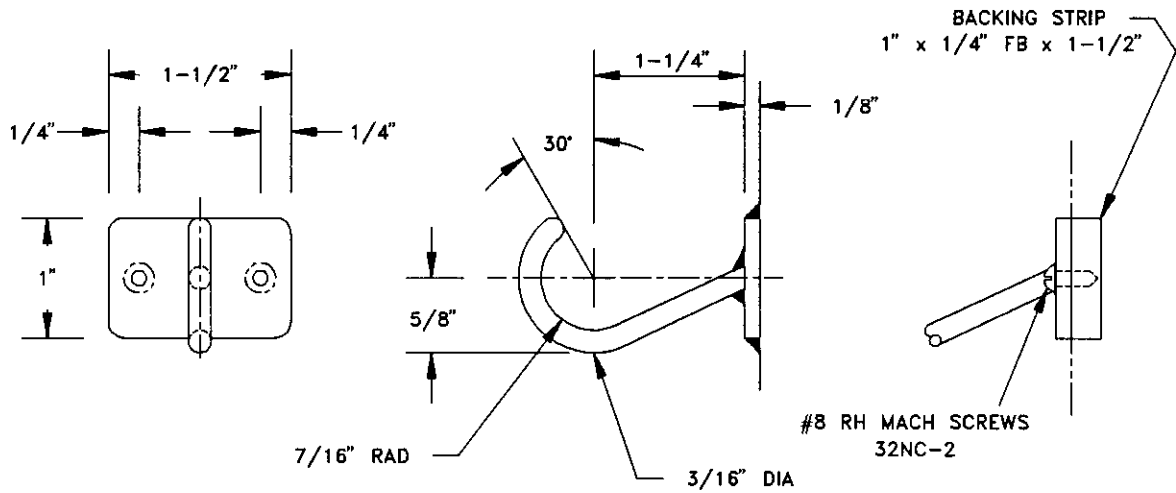
DAMAGE CONTROL EQUIPMENT STOWAGE SKETCH # 050
GENERAL QUARTERS EQUIPMENT STOWAGE LOCKER
VERSION 2 (PAGE 2 OF 2)

MCU 2P PROTECTIVE MASK/LIFE JACKET/ANTI-FLASH GEAR
STACKED STOWAGE CABINET WITH OPTIONAL QUANTITY OF SHELVES
DEPENDING ON REQUIREMENTS AND SPACE AVAILABLE.

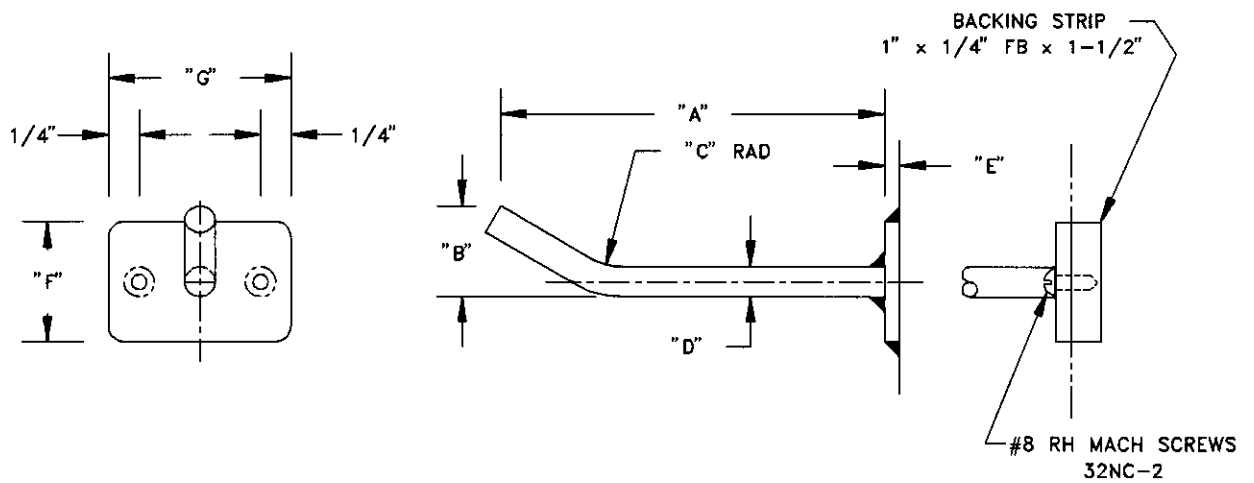


NOTE: INDIVIDUAL BOXES TO BE
.0625" ALUMINUM. SPOT WELDED.

DAMAGE CONTROL EQUIPMENT STOWAGE SKETCH # 051
GENERAL QUARTERS EQUIPMENT STOWAGE
VERSION 3

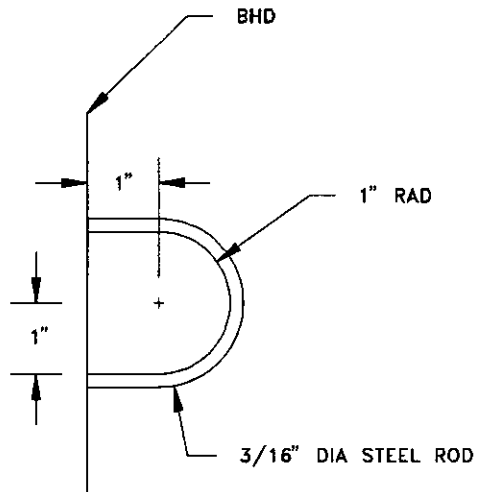


BAG HOOK

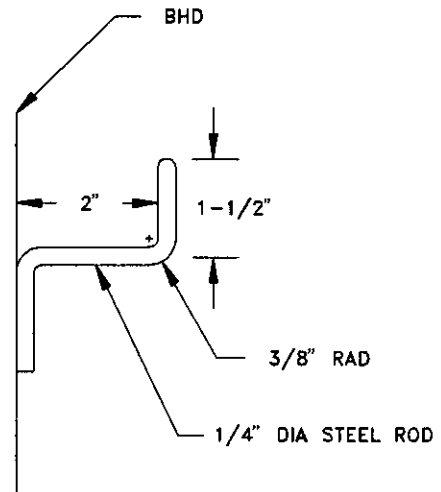


BOLT CUTTER HOOK

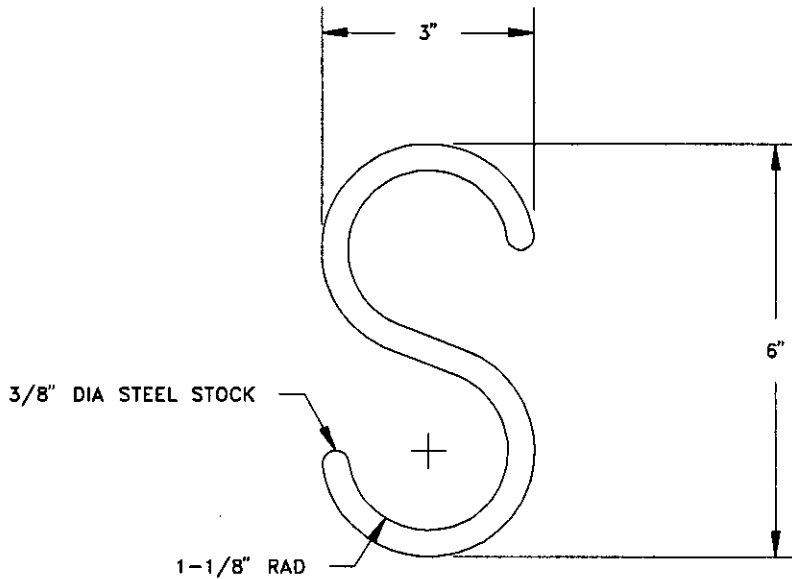
DAMAGE CONTROL EQUIPMENT STOWAGE SKETCH # 052
HOOKS, MISCELLANEOUS DAMAGE CONTROL STOWAGE
PAGE 1 OF 3



'M' STAPLE

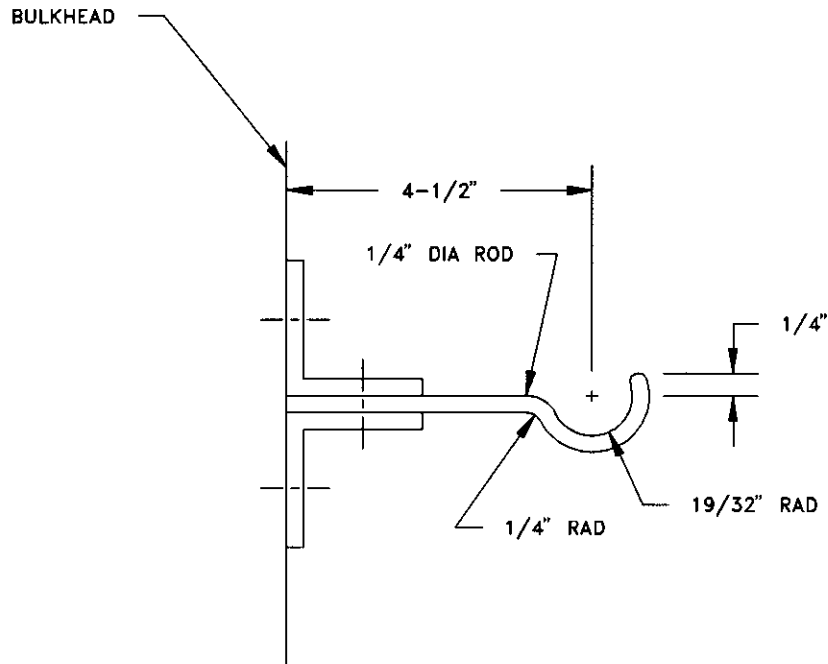


HOOK



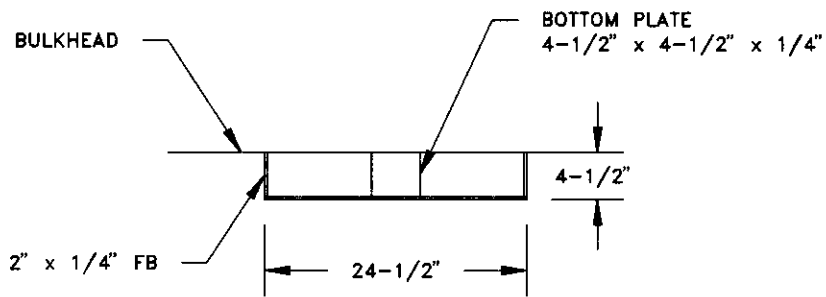
"S" HOOK

DAMAGE CONTROL EQUIPMENT STOWAGE SKETCH # 052
HOOKS, MISCELLANEOUS DAMAGE CONTROL STOWAGE
PAGE 2 OF 3

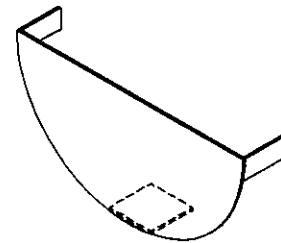


"Y" SUPPORT

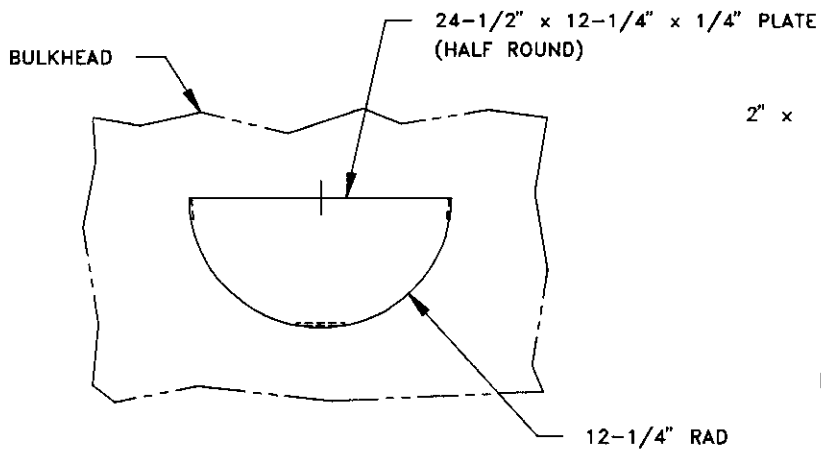
DAMAGE CONTROL EQUIPMENT STOWAGE SKETCH # 052
HOOKS, MISCELLANEOUS DAMAGE CONTROL STOWAGE
PAGE 3 OF 3



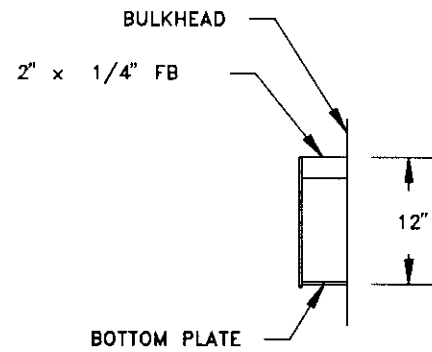
PLAN



ISOMETRIC VIEW



ELEVATION

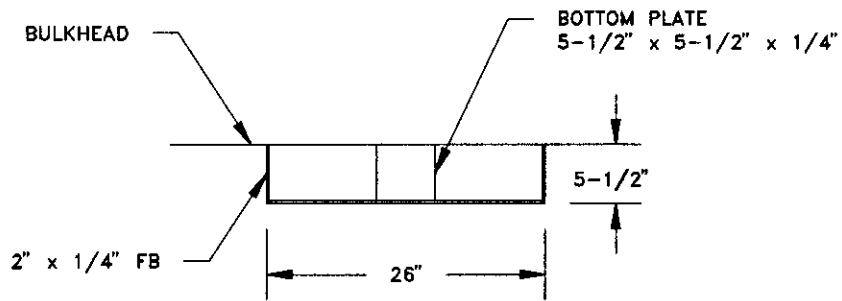


SIDE VIEW

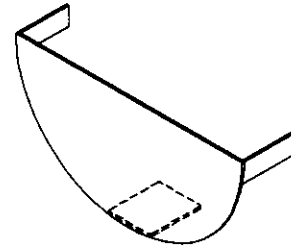
1-1/2" x 50' FIRE HOSE CRADLE

DAMAGE CONTROL EQUIPMENT STOWAGE SKETCH # 053

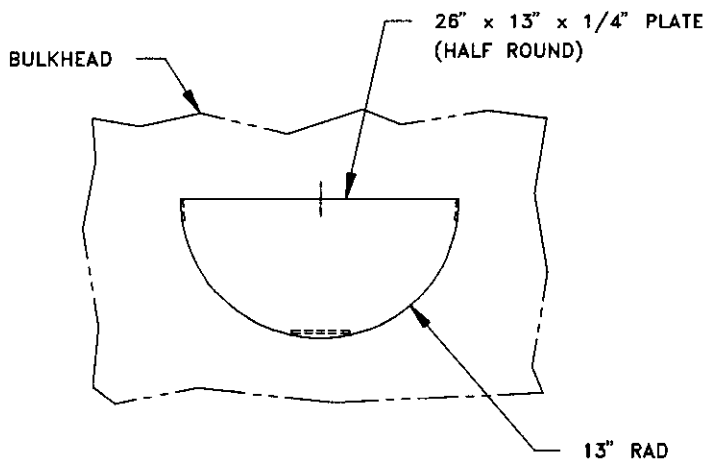
HOSE STOWAGE (CRADLE)
VERSION 1 (PAGE 1 OF 3)



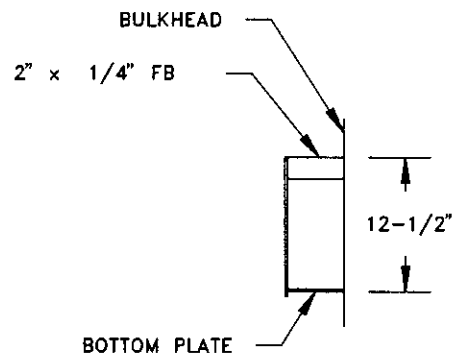
PLAN



ISOMETRIC VIEW



ELEVATION

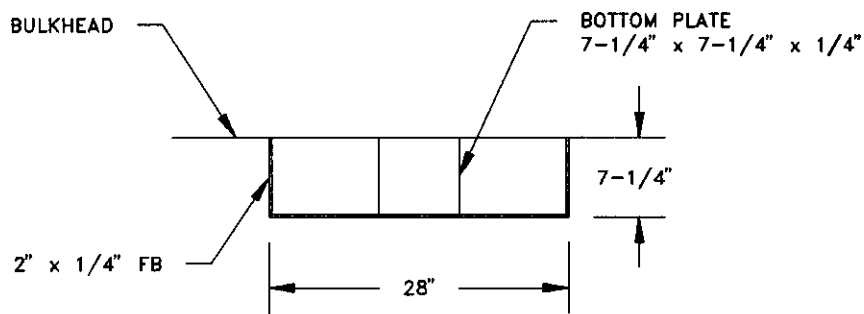


SIDE VIEW

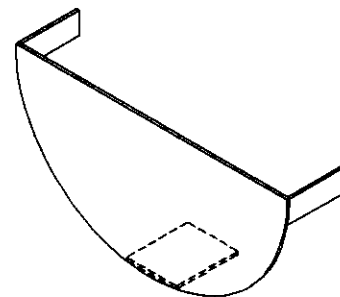
2-1/2" x 50' FIRE HOSE CRADLE

DAMAGE CONTROL EQUIPMENT STOWAGE SKETCH # 053

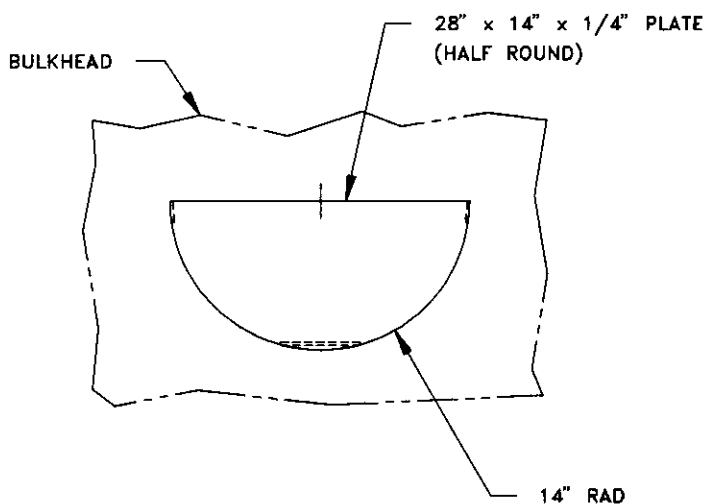
**HOSE STOWAGE (CRADLE)
VERSION 1 (PAGE 2 OF 3)**



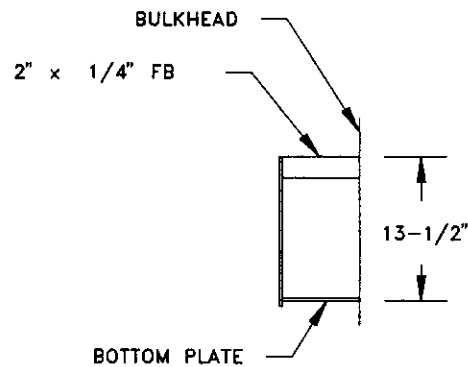
PLAN



ISOMETRIC VIEW



ELEVATION



SIDE VIEW

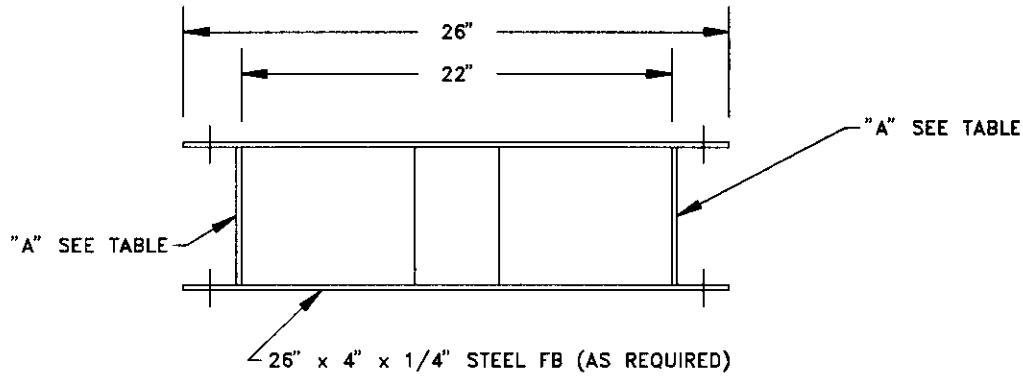
4" x 50' DISCHARGE HOSE CRADLE

DAMAGE CONTROL EQUIPMENT STOWAGE SKETCH # 053

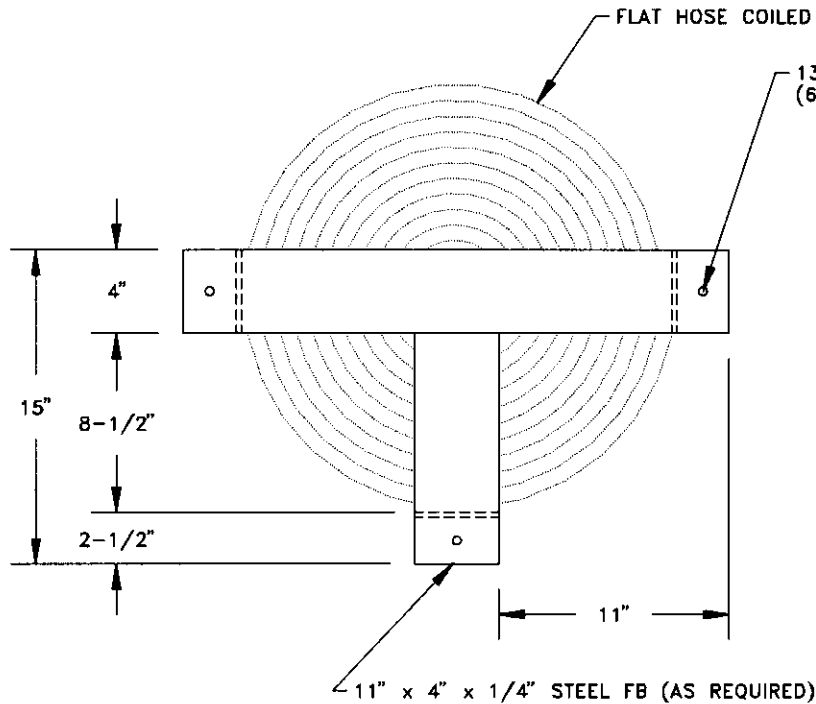
**HOSE STOWAGE (CRADLE)
VERSION 1 (PAGE 3 OF 3)**

NOM ϕ (HOSE)	"A" DIMENSION
1-1/2"	4" x 1/4" x 2-3/4" STEEL FB (AS REQUIRED)
2-1/2"	4" x 1/4" x 4-1/2" STEEL FB (AS REQUIRED)
4"	4" x 1/4" x 6-5/8" STEEL FB (AS REQUIRED)

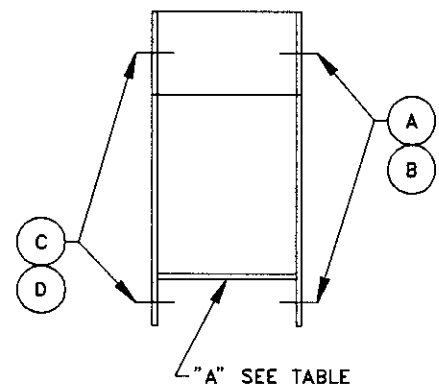
- (A) PAD, TAPPED, ROUND, 3/8"-16 UNC-2 BX, 1" LONG STEEL (AS REQUIRED)
- (B) BOLT, HEX HEAD, SELF LOCKING, 3/8"-16 UNC-2 A, 1" LONG, STEEL (AS REQUIRED)
- (C) BOLT, HEX HEAD, 3/8"-16 UNC-2 A, 1" LONG, STEEL (AS REQUIRED)
- (D) NUT, HEX, SELF LOCKING, 3/8"-UNCJ-3 B, STEEL (AS REQUIRED)



PLAN

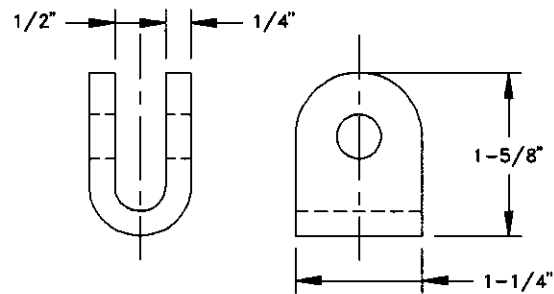
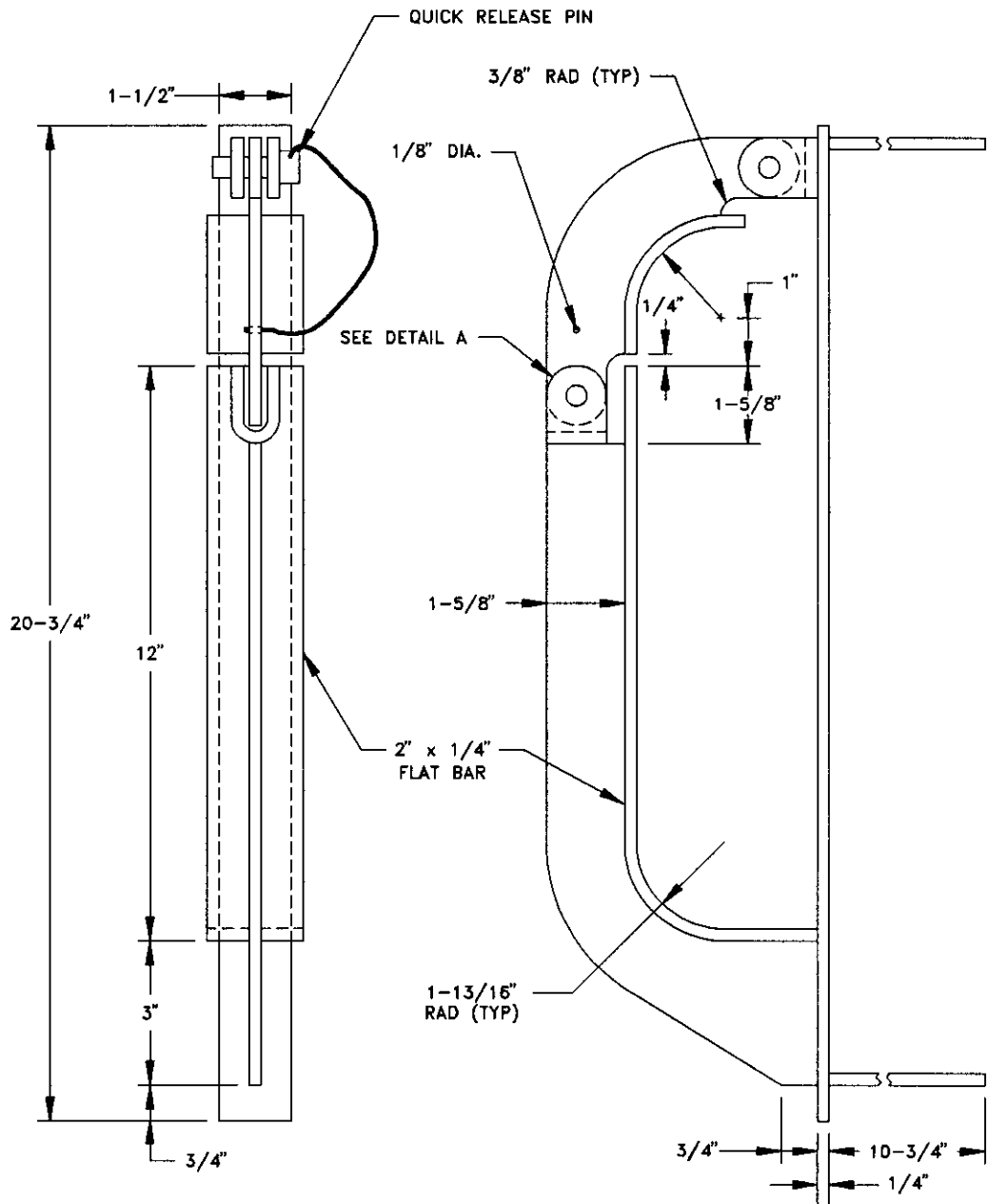


ELEVATION



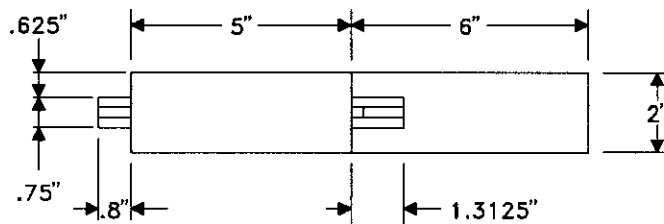
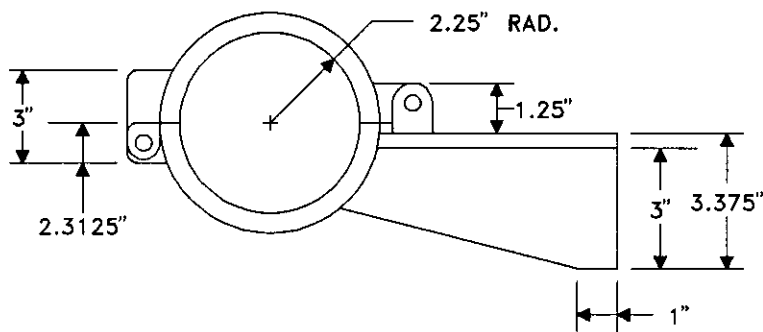
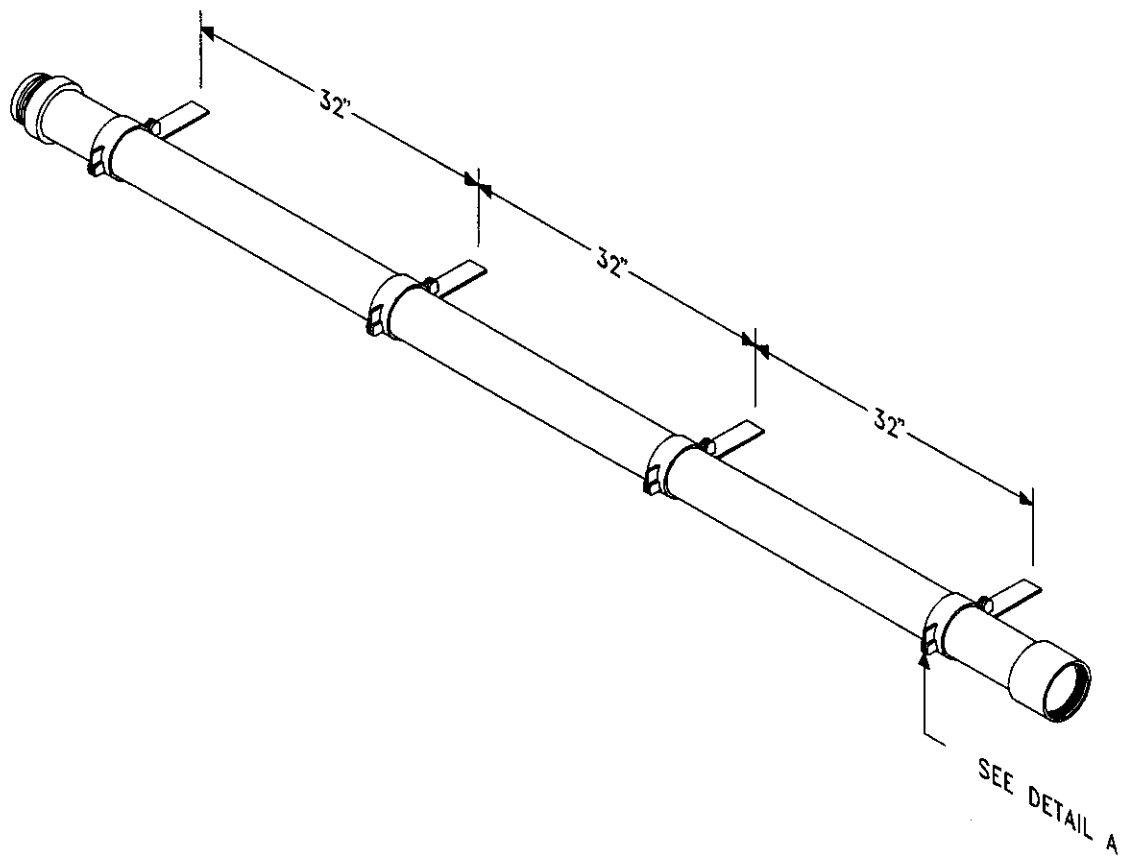
SIDE VIEW

DAMAGE CONTROL EQUIPMENT STOWAGE SKETCH # 054
HOSE STORAGE (CRADLE)
VERSION 2



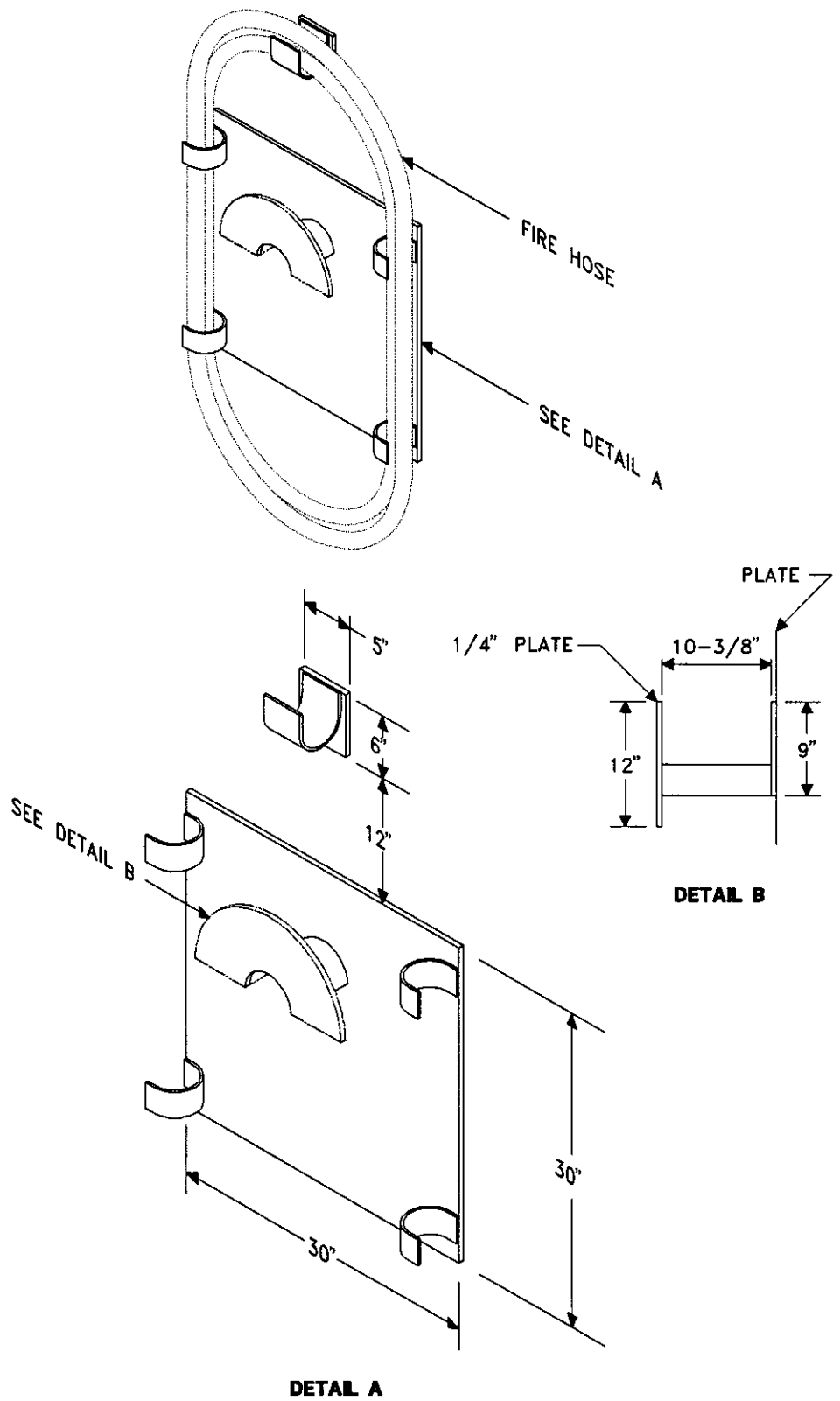
DETAIL A

DAMAGE CONTROL EQUIPMENT STOWAGE SKETCH # 055
HOSE STOWAGE BRACKET (FOUR 3" x 10' SUCTION ONLY)

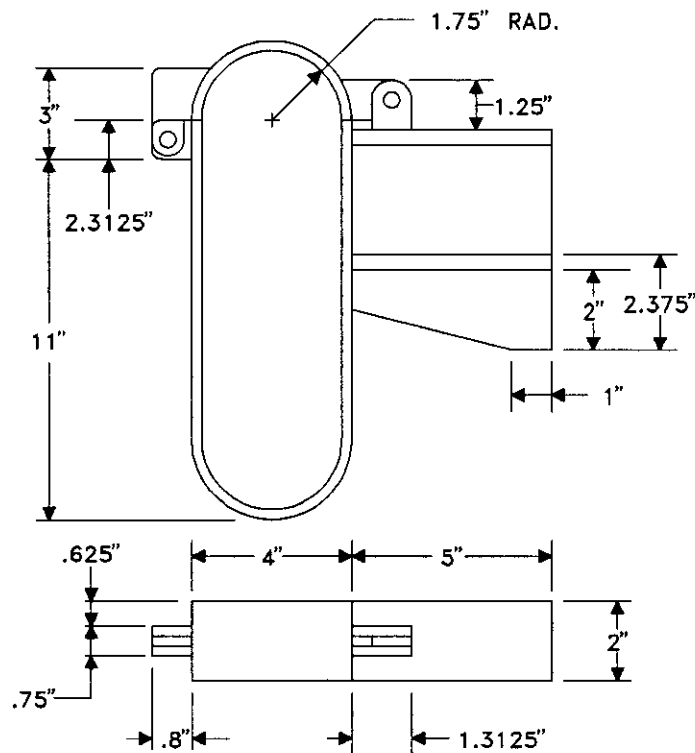
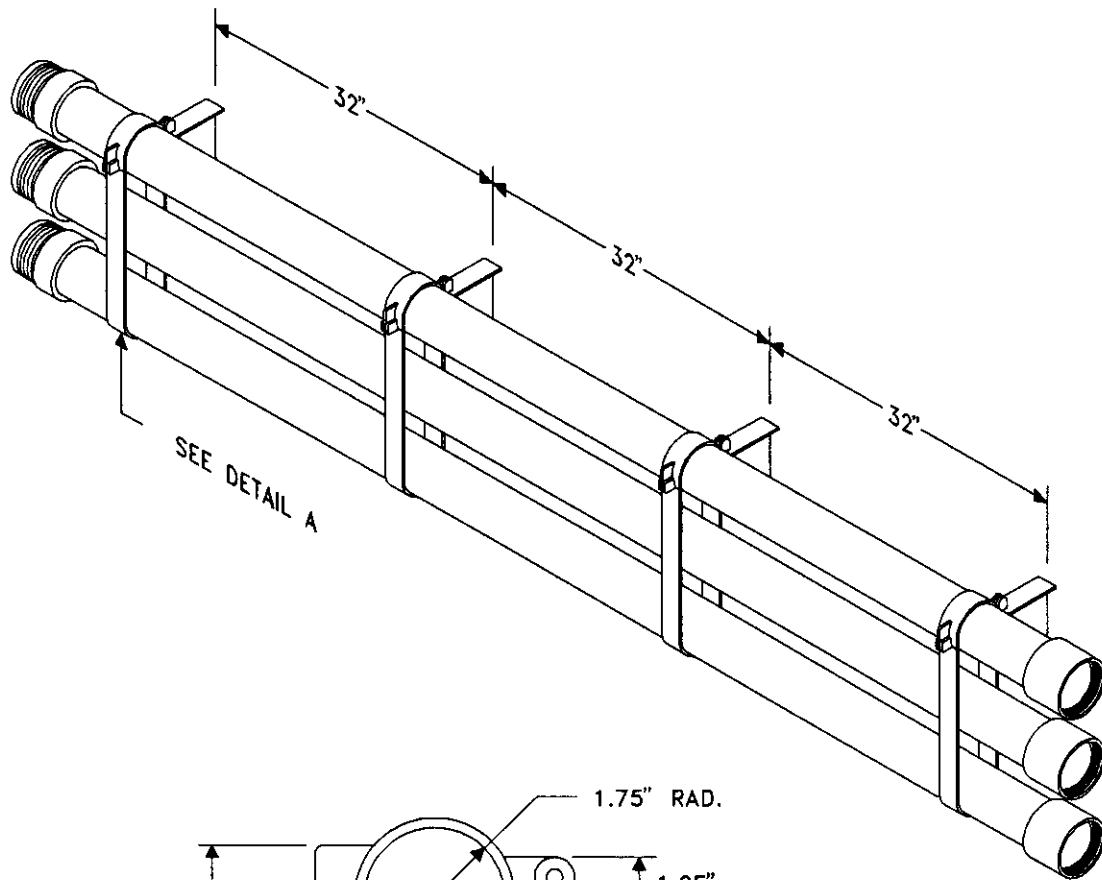


DETAIL A

DAMAGE CONTROL EQUIPMENT STOWAGE SKETCH # 056
HOSE STORAGE RACK (ONE 4" x 10' DISCHARGE HOSE)

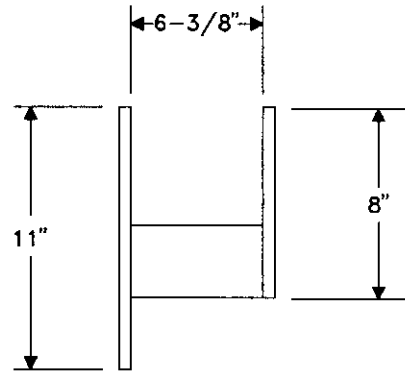
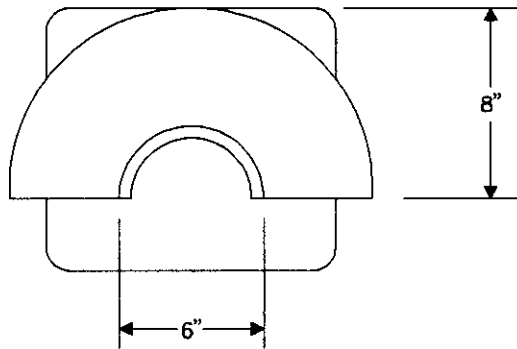
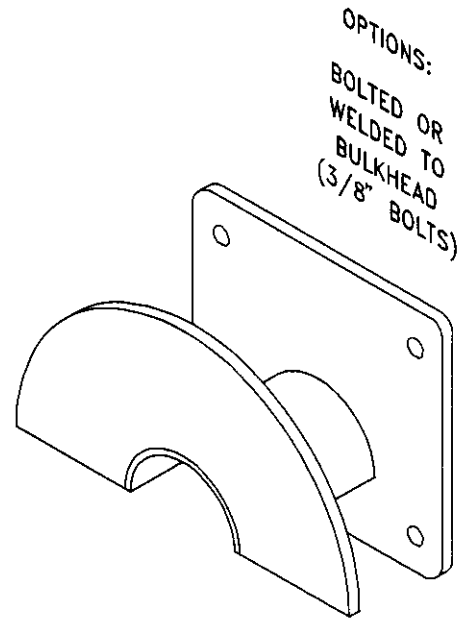
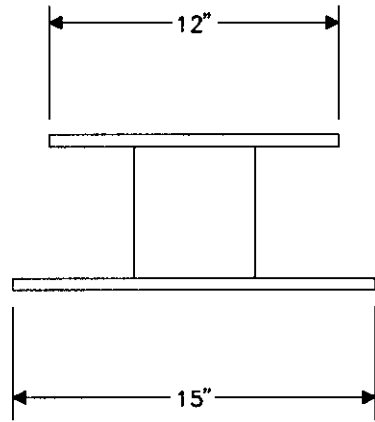


DAMAGE CONTROL EQUIPMENT STOWAGE SKETCH # 057
HOSE STOWAGE RACK, ONE 2" x 20' EXHAUST RUBBER HOSE - P250
AND TWO 2-1/2" x 50' FIRE HOSE



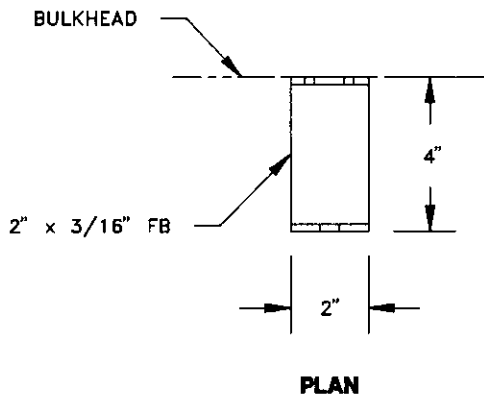
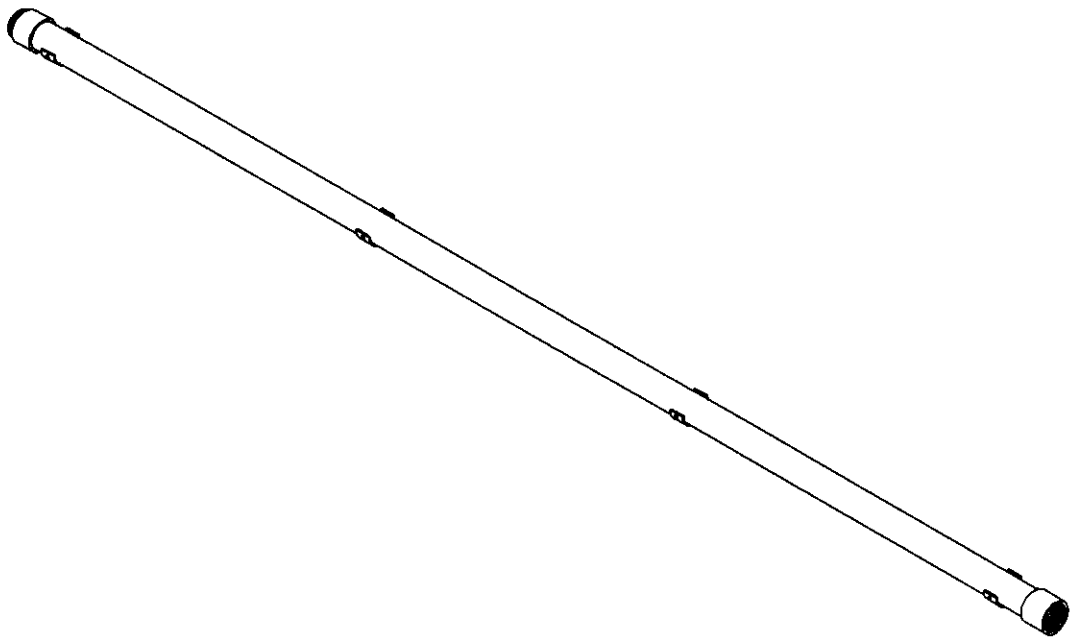
DETAIL A

DAMAGE CONTROL EQUIPMENT STOWAGE SKETCH # 058
HOSE STORAGE RACK (THREE 3" x 10' SUCTION HOSE - P250)
OR (FOUR 2-1/2" x 10' SUCTION HOSE - SUB-PUMP)

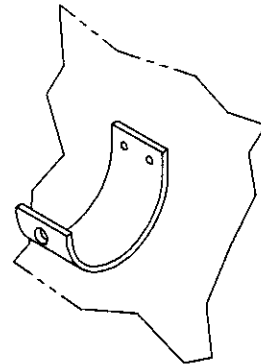


DAMAGE CONTROL EQUIPMENT STOWAGE SKETCH # 059

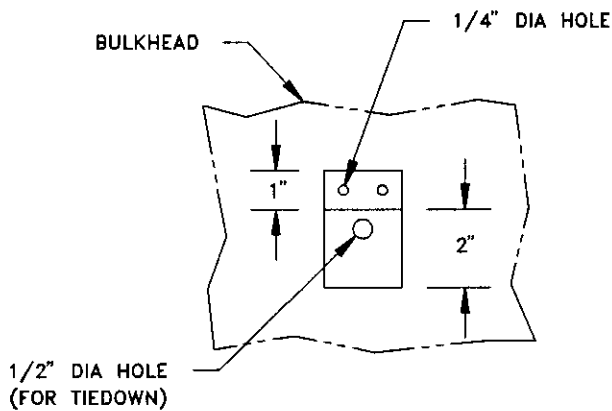
HOSE STORAGE RACK (TWO 1-1/2" x 50' FIRE HOSE)



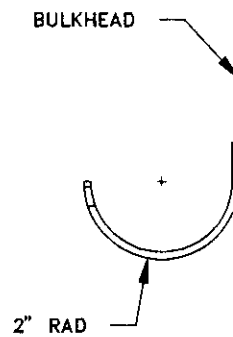
PLAN



ISOMETRIC VIEW

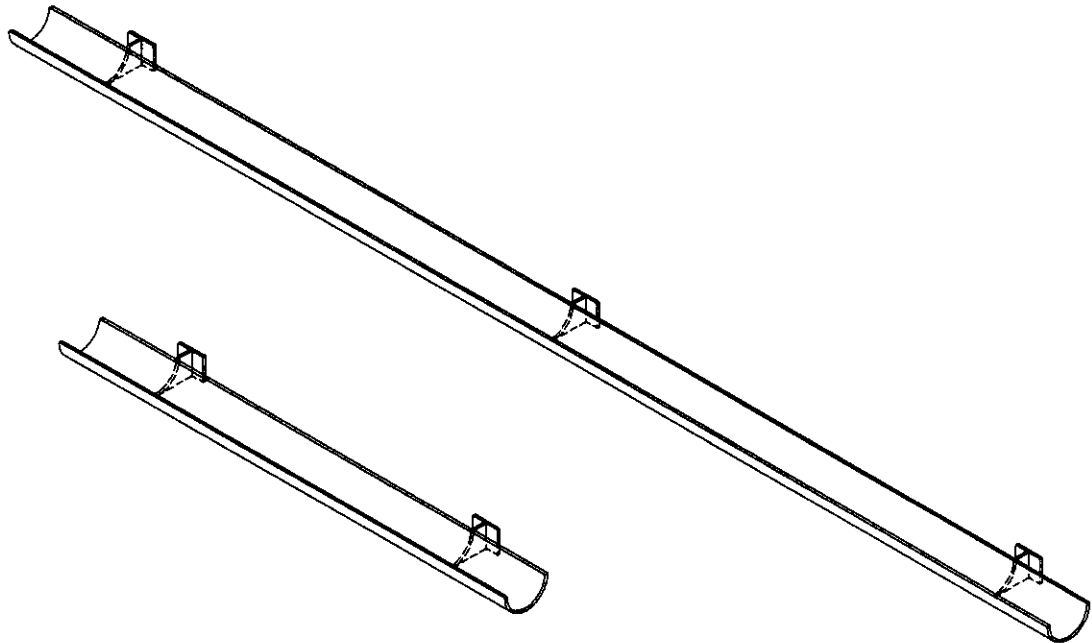


ELEVATION

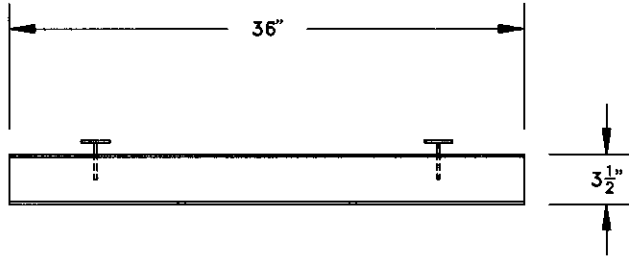


SIDE VIEW

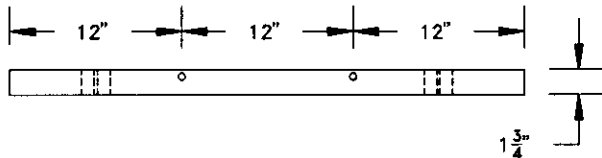
DAMAGE CONTROL EQUIPMENT STOWAGE SKETCH # 060
HOSE STOWAGE RACK (HARD HOSE CLIPS) 10' AND 20' LENGTHS



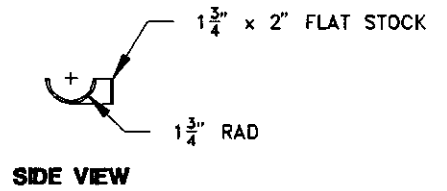
ISOMETRIC VIEW



PLAN

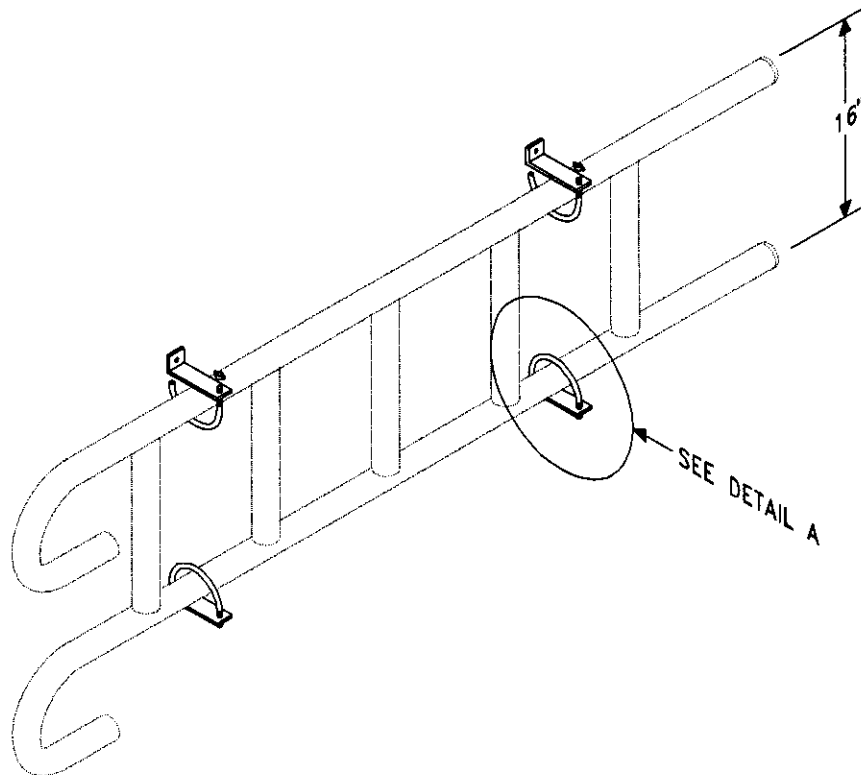


ELEVATION

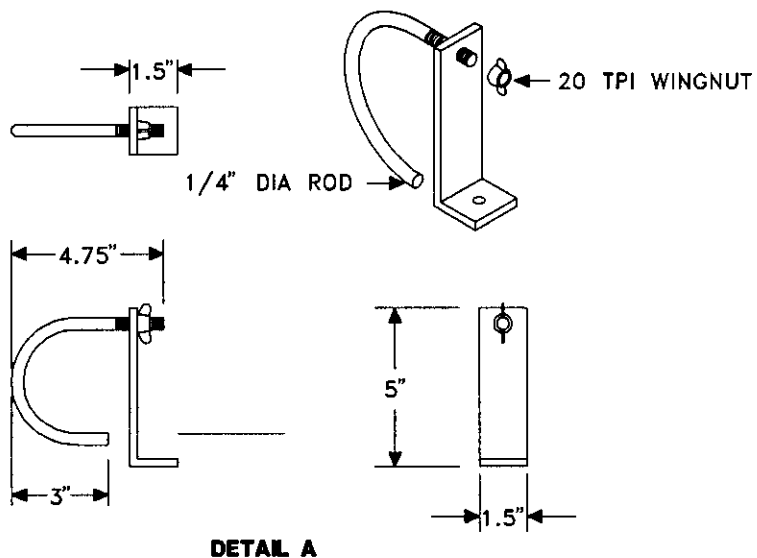


SIDE VIEW

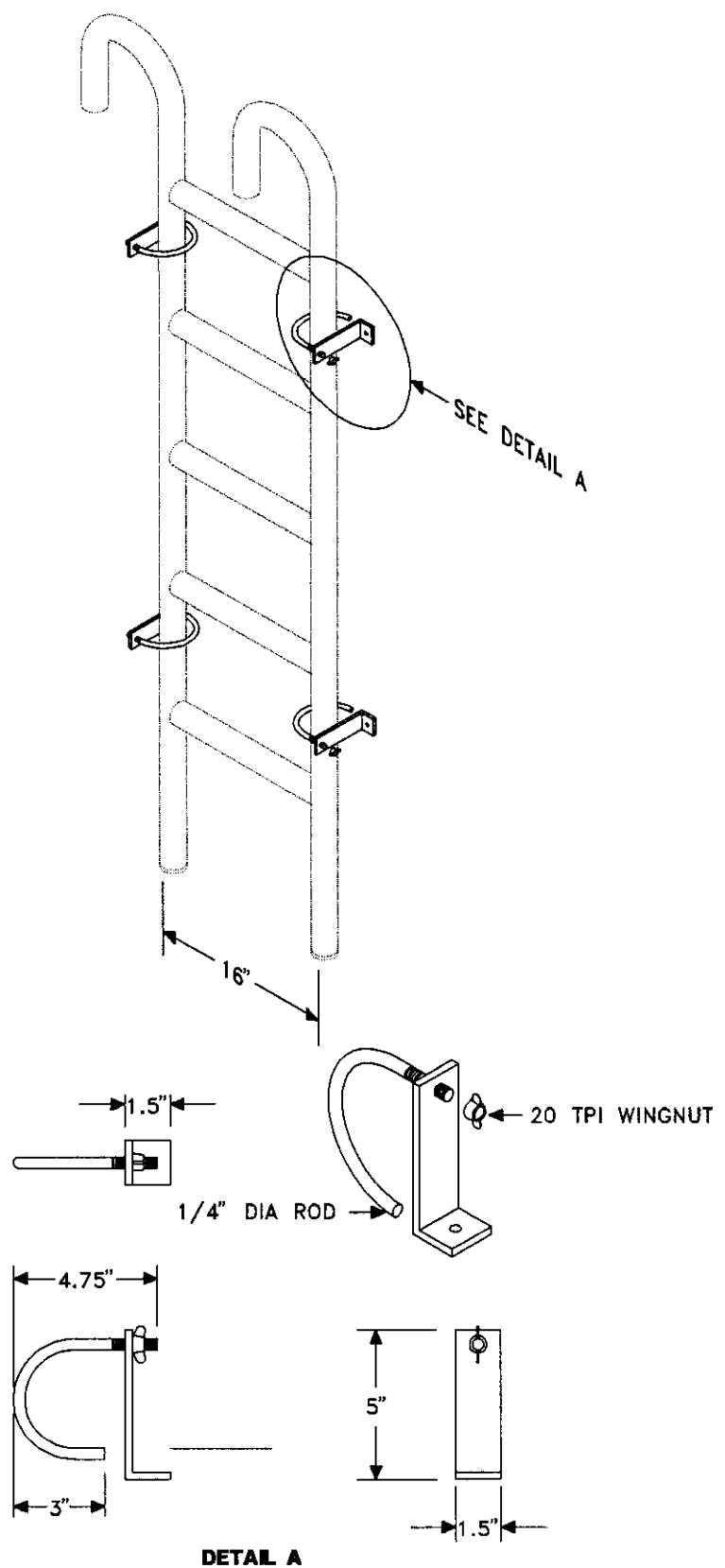
DAMAGE CONTROL EQUIPMENT STOWAGE SKETCH # 061
HOSE STOWAGE RACK (HARD SUCTION)
3-1/2" x 36" AND 3-1/2" x 84" LENGTHS



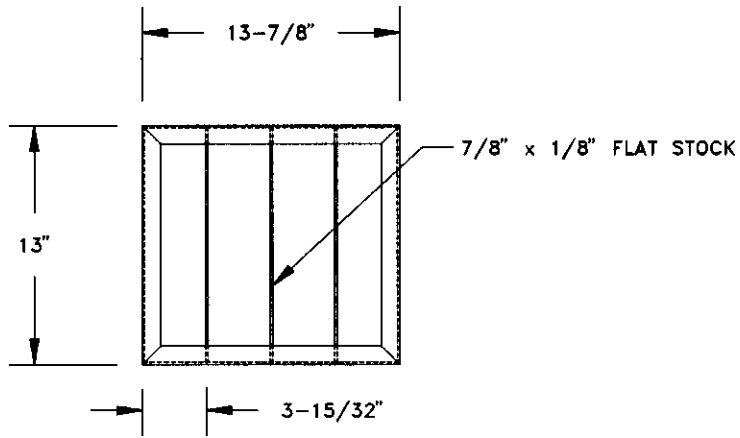
BULKHEAD MOUNTED (HORIZONTAL)



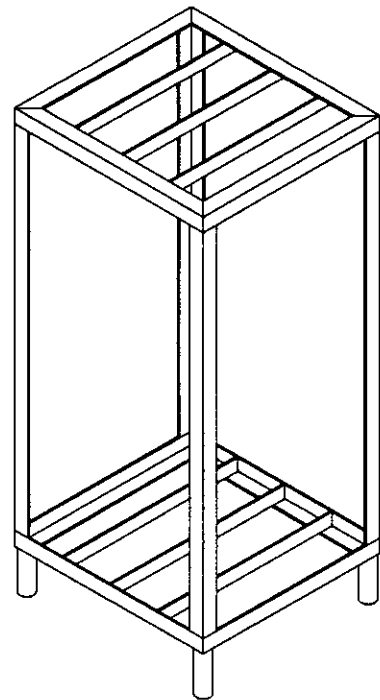
**DAMAGE CONTROL EQUIPMENT STOWAGE SKETCH # 062
LADDER, (6 FT SCALING) STOWAGE BRACKETS
HORIZONTAL**



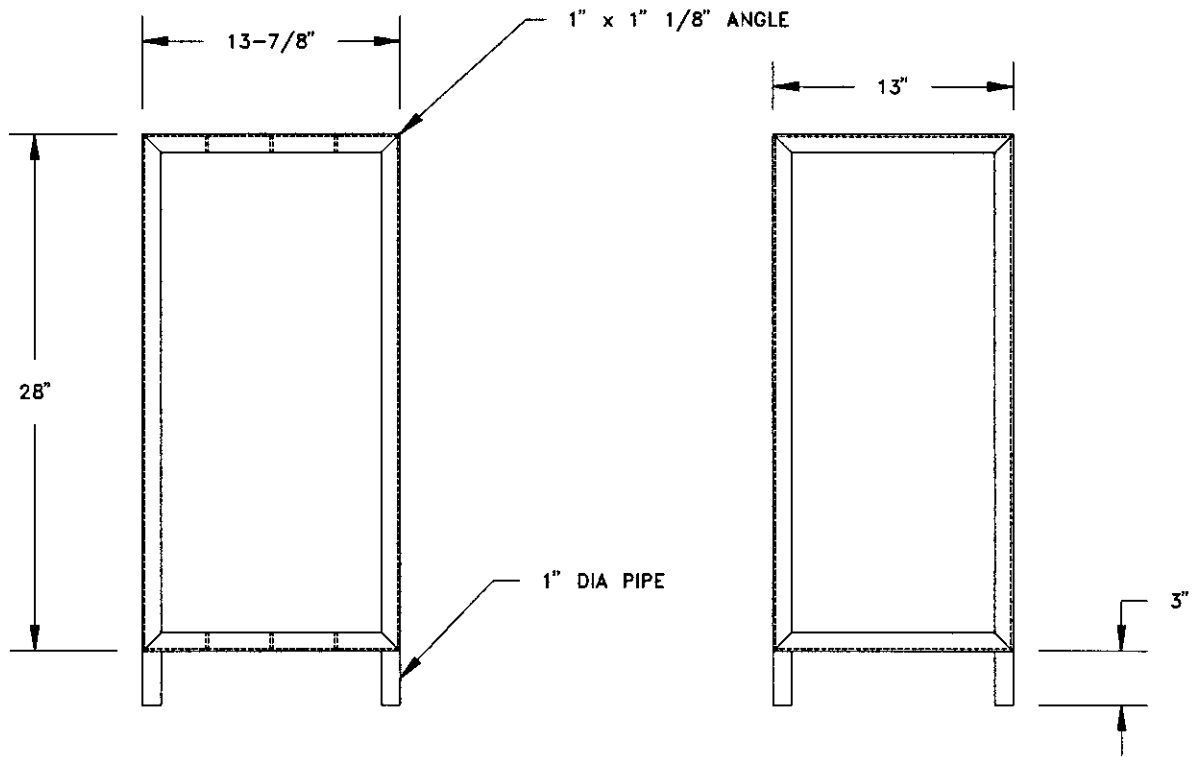
DAMAGE CONTROL EQUIPMENT STOWAGE SKETCH # 063
LADDER, (6 FT SCALING) STORAGE BRACKETS
VERTICAL



PLAN



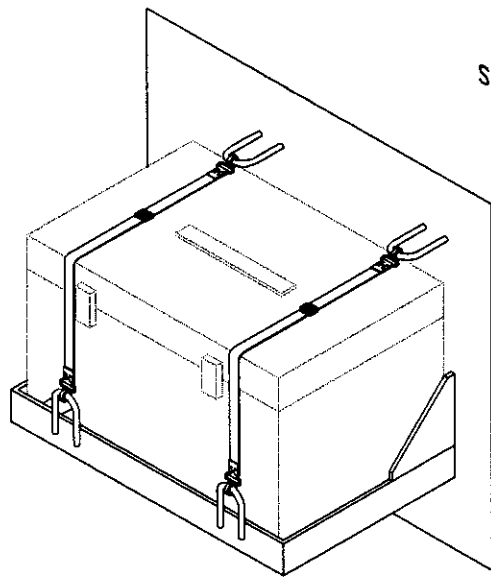
ISOMETRIC VIEW



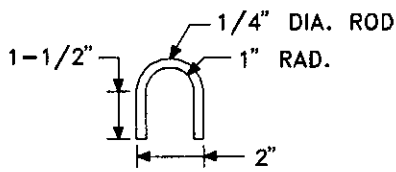
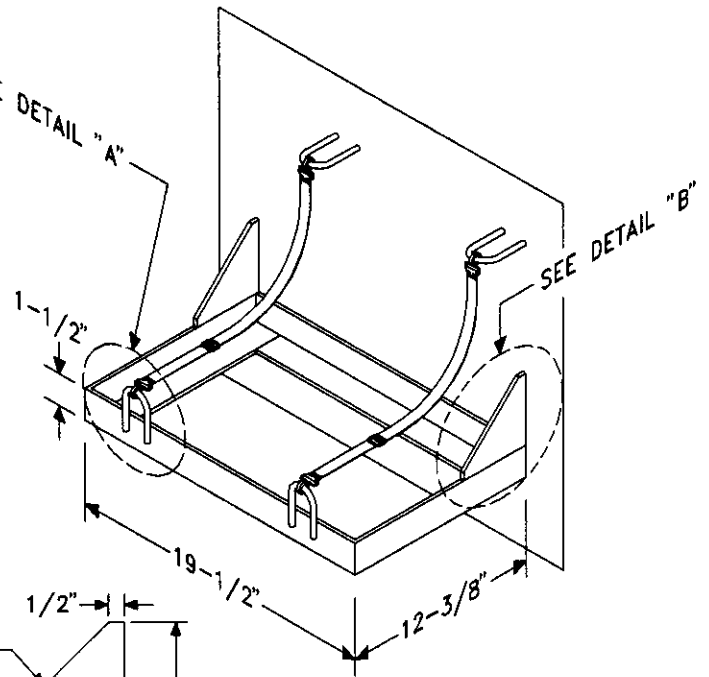
ELEVATION

SIDE VIEW

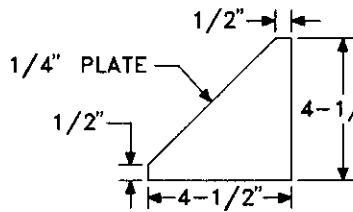
DAMAGE CONTROL EQUIPMENT STOWAGE SKETCH # 064
MISCELLANEOUS ACCESS TOOL STOWAGE RACK



SEE DETAIL "A"

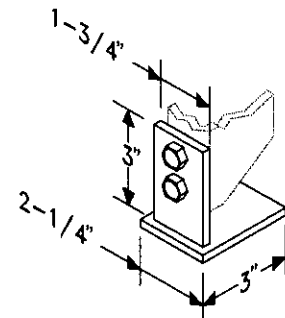
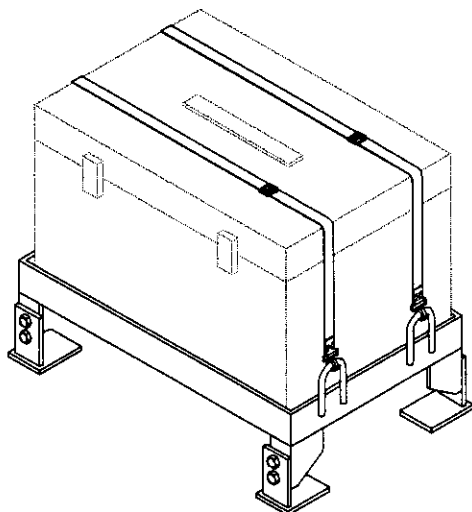


DETAIL "A"

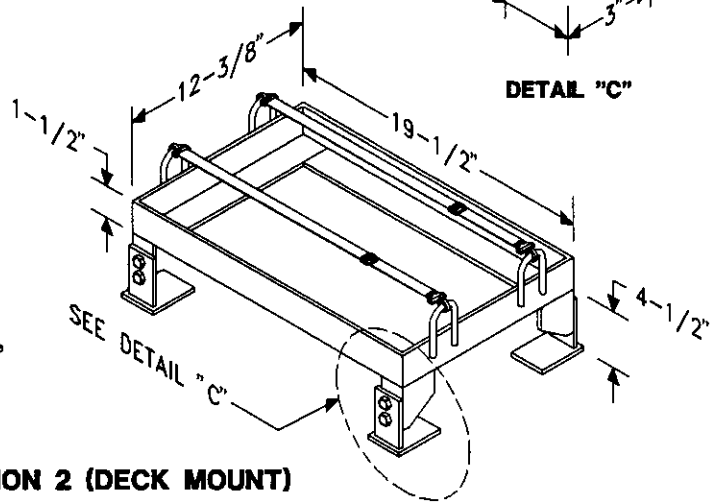


DETAIL "B"

VERSION 1 (BHD MOUNT)



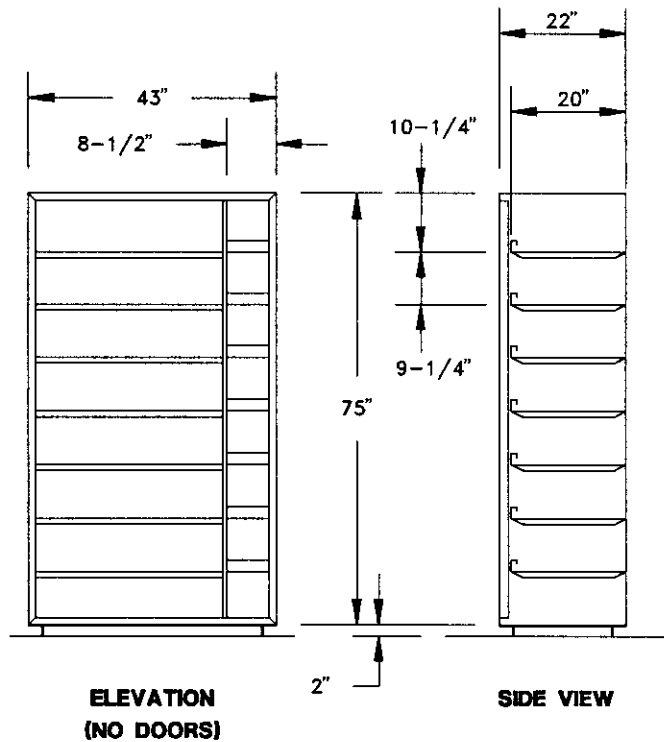
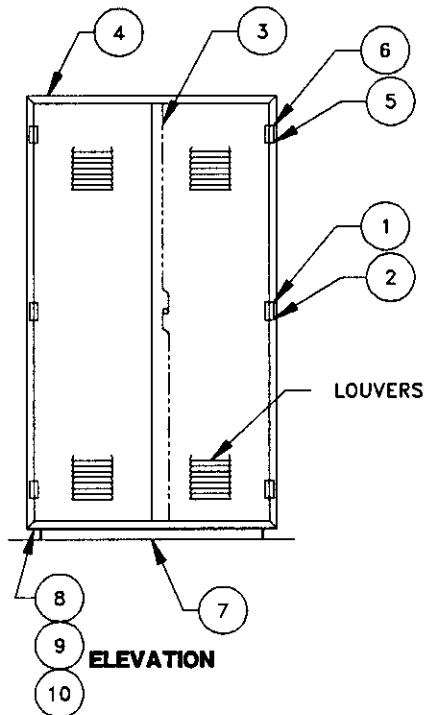
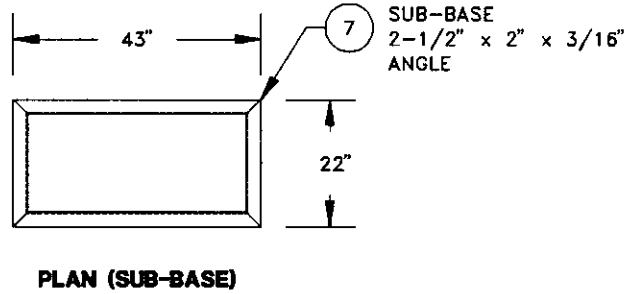
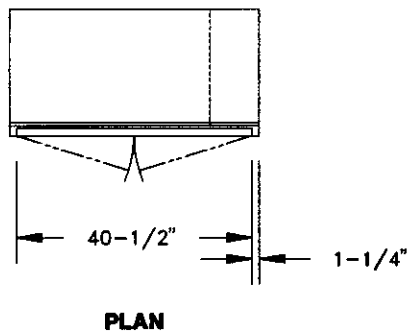
DETAIL "C"



VERSION 2 (DECK MOUNT)

DAMAGE CONTROL EQUIPMENT STOWAGE SKETCH # 065

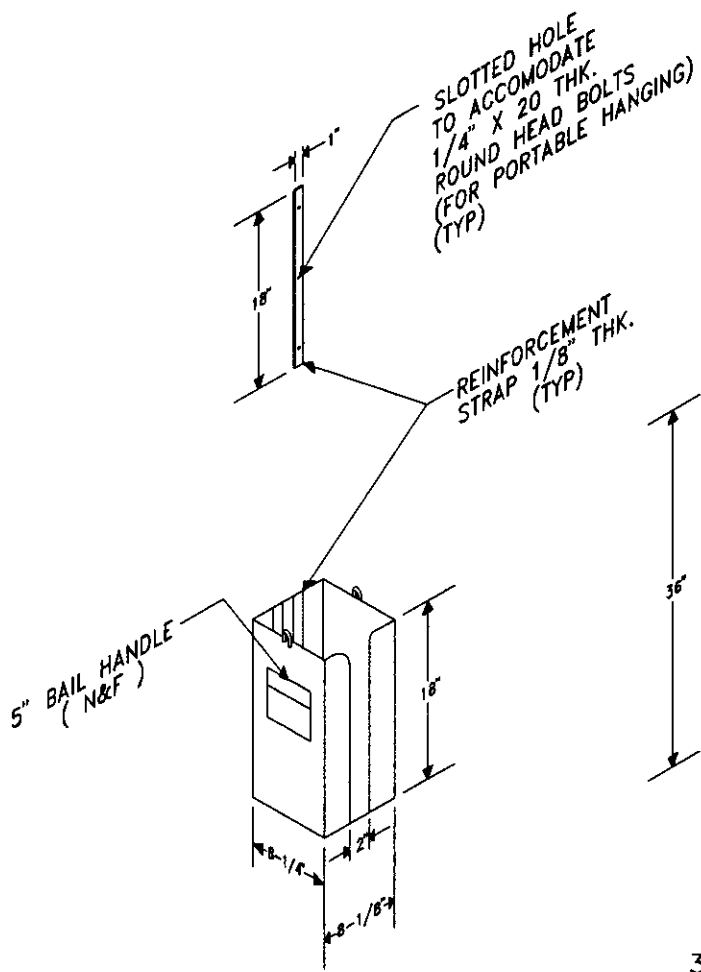
NFTI STOWAGE RACK



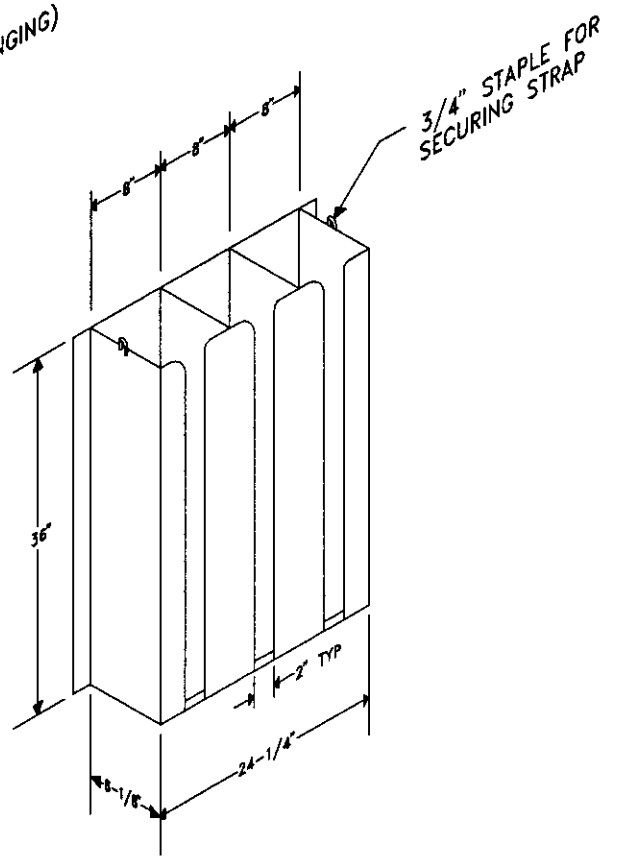
DAMAGE CONTROL EQUIPMENT STOWAGE SKETCH # 066
OBA & OBA CANISTER STOWAGE LOCKER
PAGE 1 OF 2

ASSY		LIST OF MATERIAL			
QTY	PART NO.	NAME	MATERIAL	REFERENCES	REMARKS
6	1	HINGE, 2" x 1-5/8"	STL CAD PLTD	NN STOCK 17-15-302	
6	2	ANTI-RATTLER	RUBBER PURE GUM		
1	3	LOCKING DEVICE	SEE DET DWG	ASSY64, REF 6	
1	4	LOCKER	SEE DET DWG	REF 5	
12	5	HUCK RIVET SELF PLUGGING BLIND NO. P-6-D	ALUMINUM		
12	6	HUCK COMMERCIAL LOCK BOLT NO. CLPB F6-2	ALUMINUM		
12LF	7	ANGLE, BASE, 2-1/2" x 2" x 3/16"	MED STL		
22	8	BOLT, 1/4"-20UNC 2A	STL (ZINC COAT)		L-3/4"
22	9	NUT, HEX, 1/4"-20UNC 2B	STL (ZINC COAT)		
22	10	WASHER, LOCK	STL (ZINC COAT)		

DAMAGE CONTROL EQUIPMENT STOWAGE SKETCH # 066
OBA & OBA CANISTER STOWAGE LOCKER
PAGE 2 OF 2



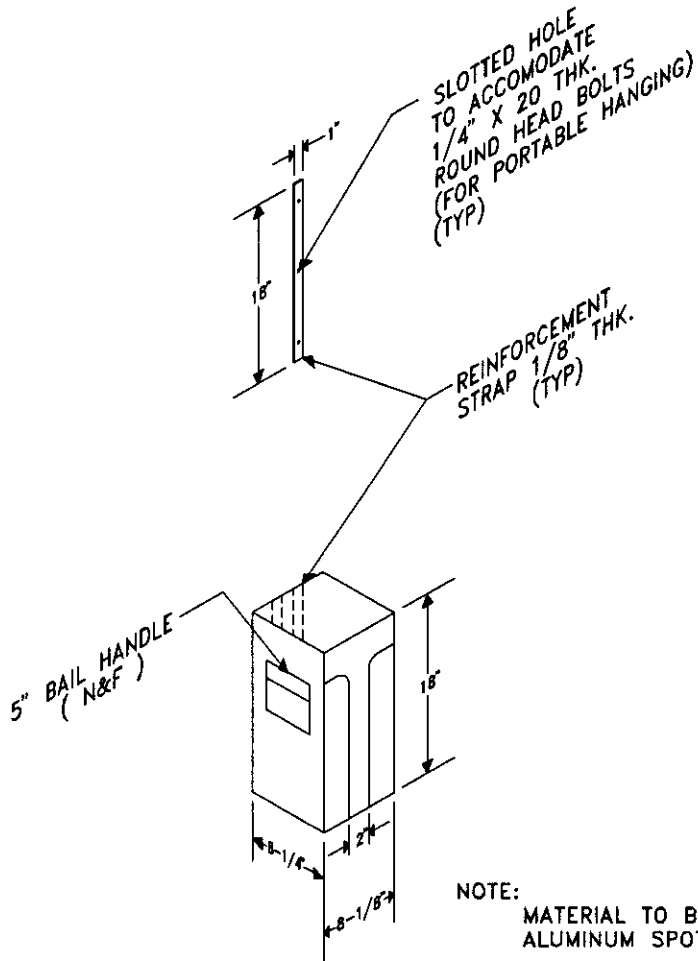
SIX UNIT OBA CANISTER STORAGE RACK
READY SERVICE, PORTABLE



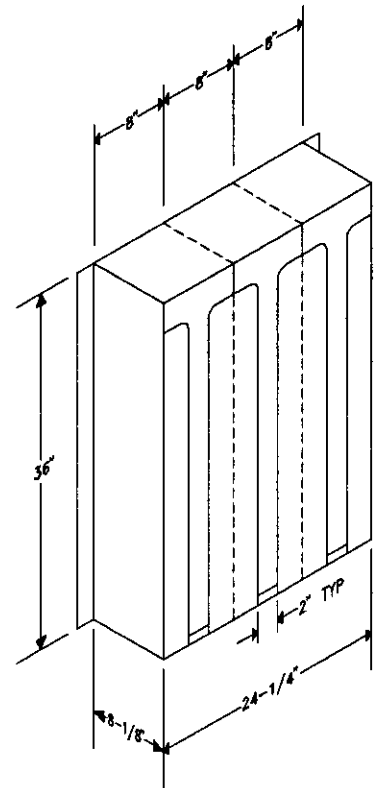
36 UNIT OBA CANISTER STORAGE RACK
READY SERVICE

NOTE:
MATERIAL TO BE .0625"
ALUMINUM SPOT WELDED.

DAMAGE CONTROL EQUIPMENT STOWAGE SKETCH # 067
OBA CANISTER STOWAGE (RACK)
VERSION 1

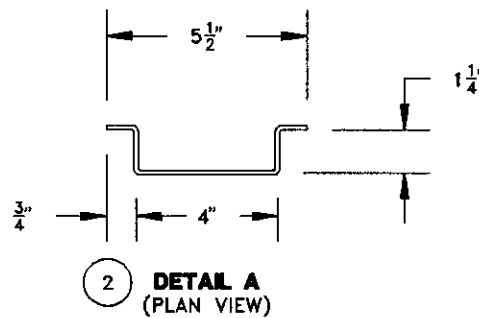
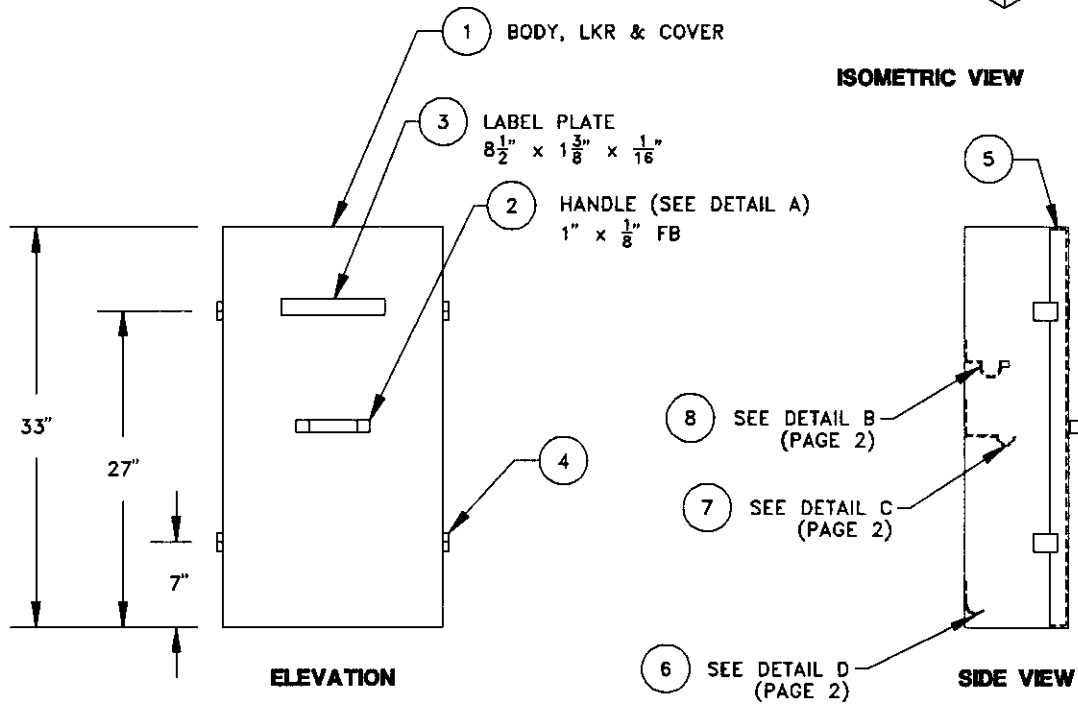
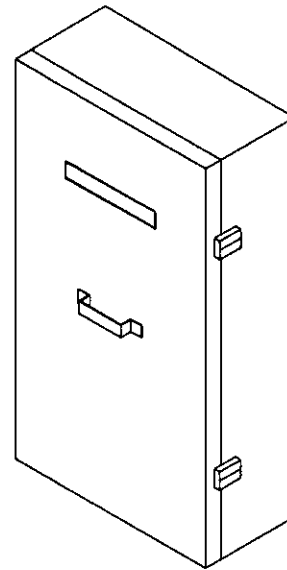
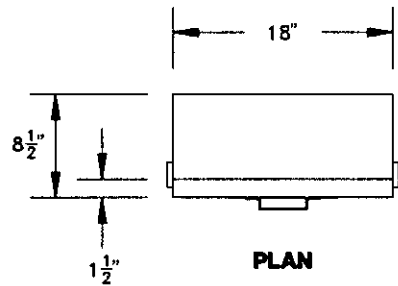


SIX UNIT OBA CANISTER
STOWAGE RACK
READY SERVICE, PORTABLE

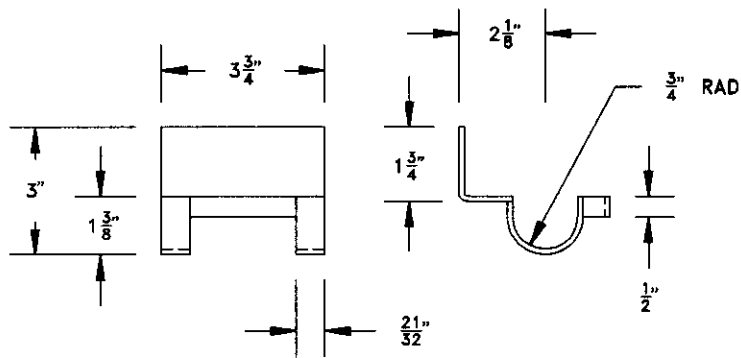


36 UNIT OBA CANISTER
STOWAGE RACK
READY SERVICE

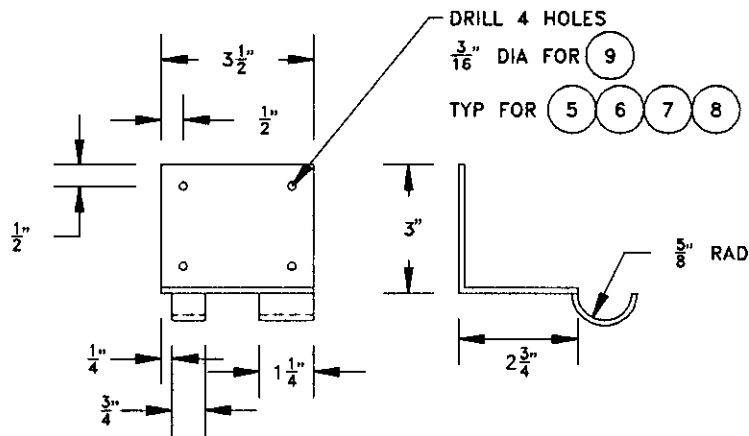
DAMAGE CONTROL EQUIPMENT STOWAGE SKETCH # 068
OBA CANISTER STOWAGE (RACK)
VERSION 2



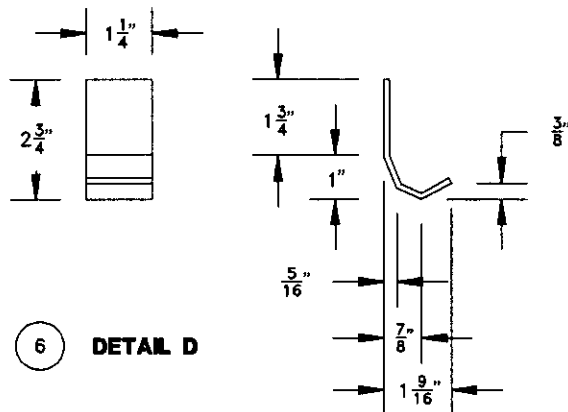
DAMAGE CONTROL EQUIPMENT STOWAGE SKETCH # 069
OBA STOWAGE LOCKER, SINGLE UNIT
(PAGE 1 OF 3)



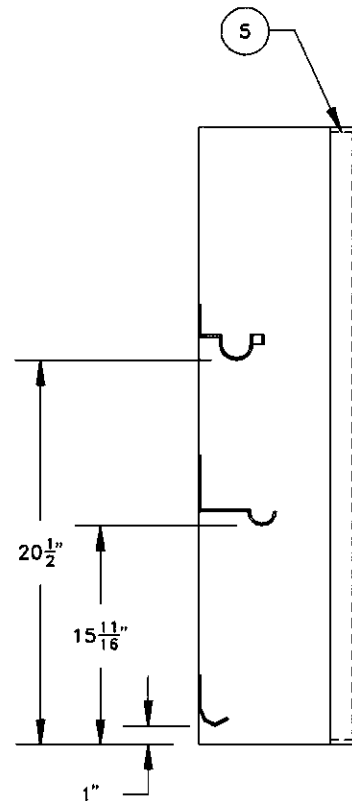
8 DETAIL B



7 DETAIL C



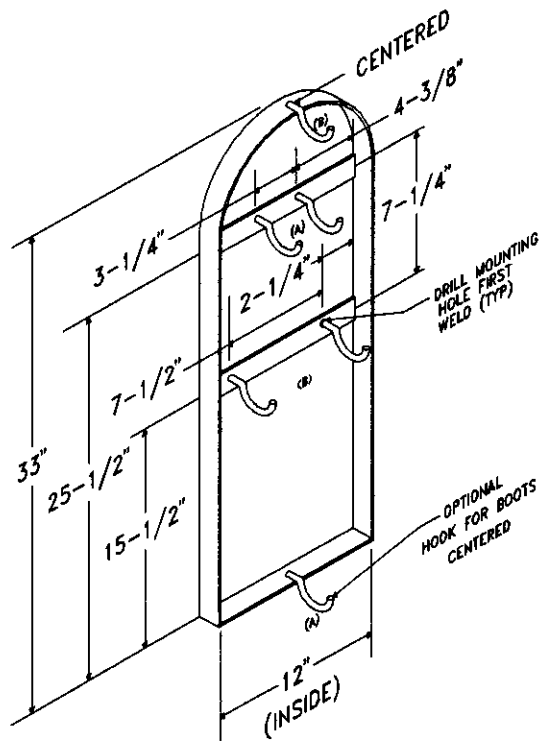
6 DETAIL D



DAMAGE CONTROL EQUIPMENT STOWAGE SKETCH # 069
OBA STOWAGE LOCKER, SINGLE UNIT
(PAGE 2 OF 3)

LIST OF MATERIAL					
QTY	ASSY PART NO.	NAME	MATERIAL	REFERENCES	REMARKS
2	1	BODY, LKR & COVER	AL ALY5052 H32 ASTM-B-209		.080" THK
2	2	HANDLE	AL ALY5052 H32 ASTM-B-209		.125" THK, 1" WIDE
1	3	PLATE, LABEL, .062	CRES-CL-304 QQ-S-766		POLISHED (1) SIDE
8	4	CATCH, DRAW PULL	STL ZINC PL		TO CORBIN 15824ZP
2	5	SHEET, RUBBER 1/16" THK	SYN RUBBER MIL-R-900		
2	6	BRACKET, SUPPORTING	AL ALY5052 H32 ASTM-B-209		.125" THK,
1	7	BRACKET, RETAINING	AL ALY5052 H32 ASTM-B-209		.125" THK
1	8	SUPPORT, MASK	AL ALY5052 H32 ASTM-B-209		.125" THK,
28	9	RIVET, BLIND DH 1/8" DIA.	AL ALY MIL-R-24243		6-A-606F

DAMAGE CONTROL EQUIPMENT STOWAGE SKETCH # 069
OBA STOWAGE LOCKER, SINGLE UNIT
(PAGE 3 OF 3)



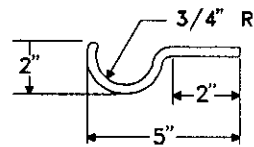
MATERIAL

FRAME:

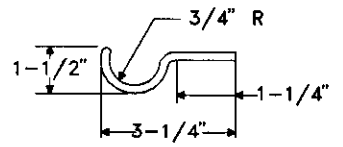
PLATE OR BAR STOCK
 3/16" x 1-1/2" ALUMINUM

HOOKS:

3/8" DIAMETER
 ALUMINUM ROD
 SERIES 5062

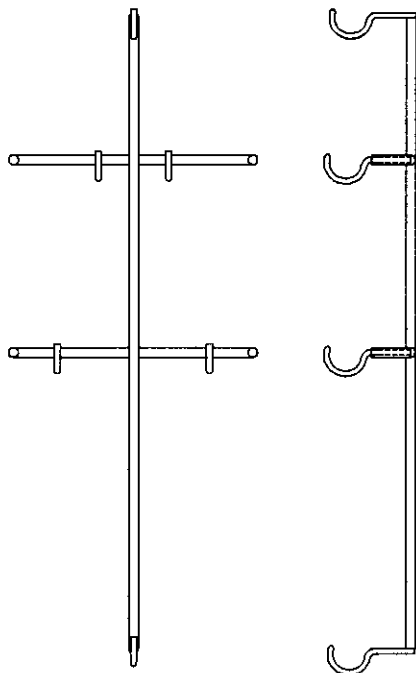


A (Qty 3)

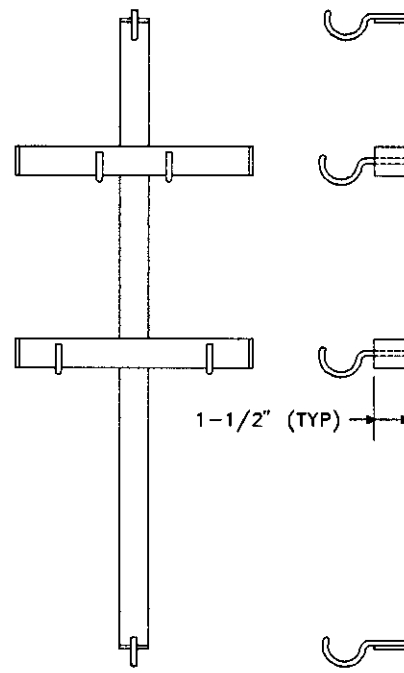


B (Qty 3)

ALTERNATE METHODS



ALL BAR STOCK



ALL PLATE

DAMAGE CONTROL EQUIPMENT STOWAGE SKETCH # 070

**OBA STORAGE RACK
VERSION 1**

MATERIAL

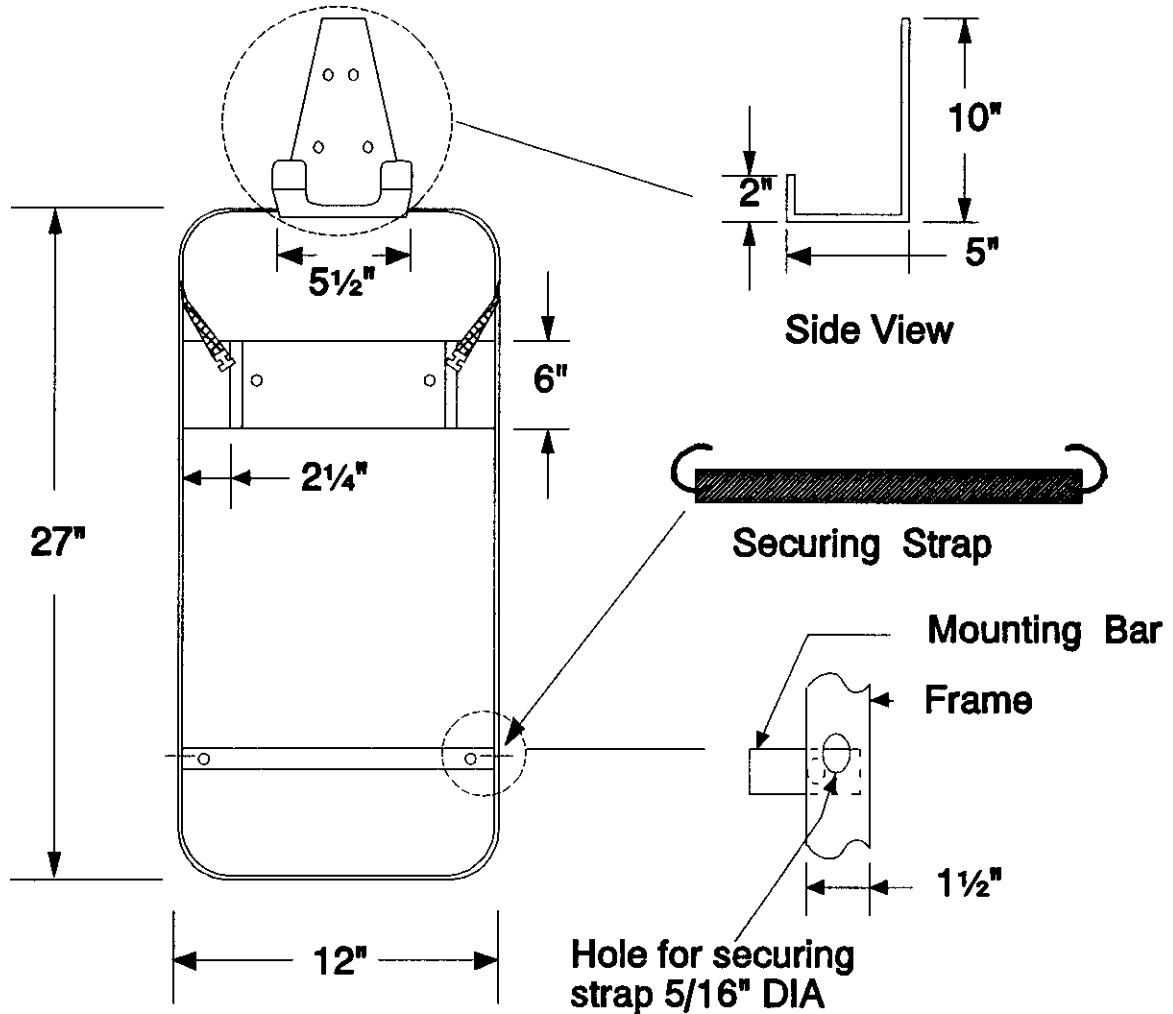
FRAME: Aluminum Flat Bar
1 ea 3/16" X 1-1/2" X 11-5/8"
1 ea 3/16" X 1-1/2" X 78-1/2"
2 ea 3/16" X 1" X 6"

Aluminum Plate
1 ea 3/16" X 5-1/2" X 17-1/4"
1 ea 3/16" X 6" X 11-5/8"

STRAP:
1 ea 1/8" X 3/4" X 13-1/2" rubber with 3/4" hook (each end)
2 ea 1/16" X 5/8" X 7-1/2" canvas straps with lock snap assembly
8 ea holes in mounting plate 5/16" DIA

For stowage of:

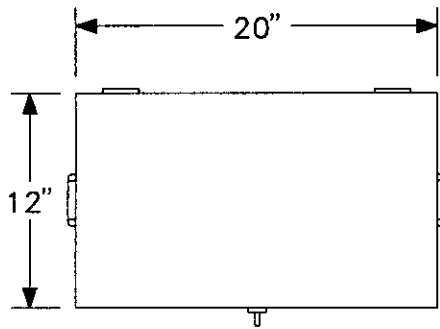
1 OBA
1 Cannister
1 Set of anti-flash gear



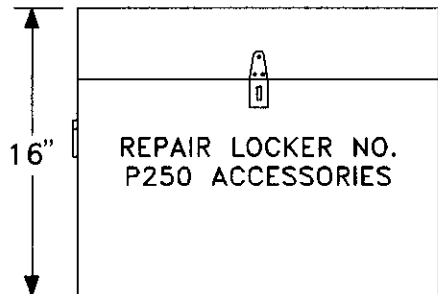
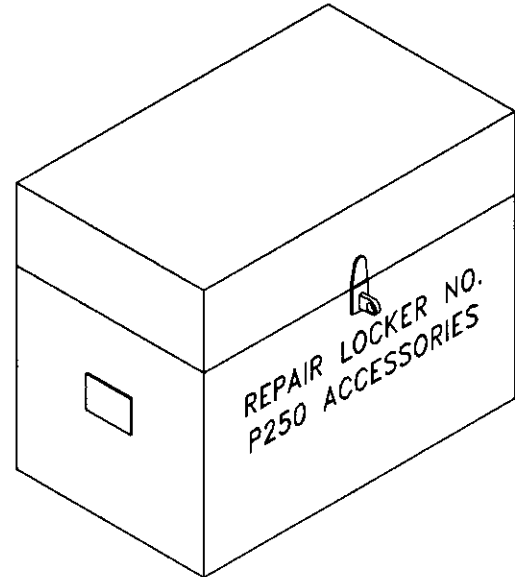
DAMAGE CONTROL EQUIPMENT STOWAGE SKETCH #071

**OBA STOWAGE RACK
VERSION 2**

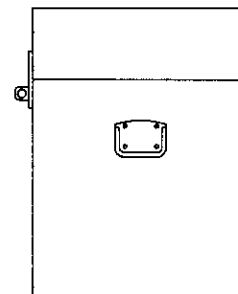
P250 ACCESSORIES EQUIPMENT LOCKER (PORTABLE)
ALUMINUM OR STEEL



PLAN



ELEVATION



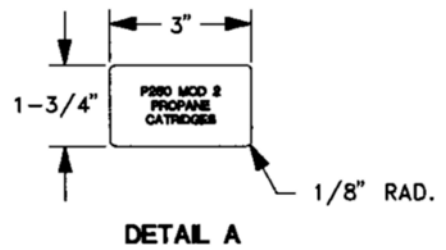
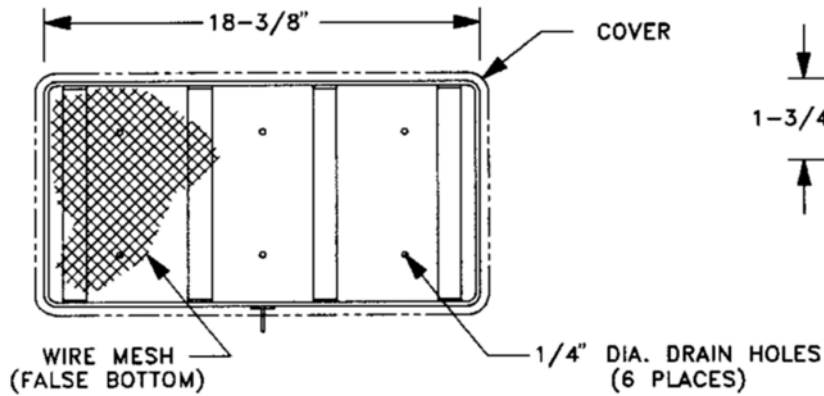
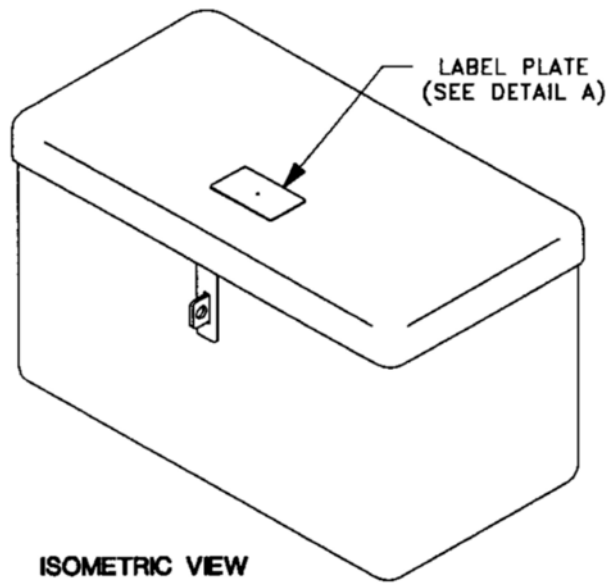
END VIEW

NOTES:

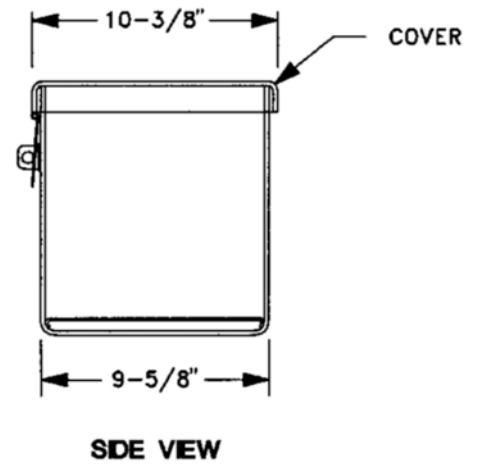
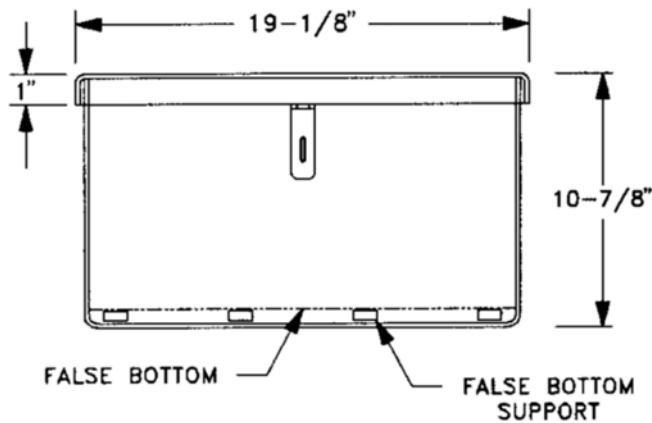
1. MATERIALS:
ALUMINUM - WHEN MADE IN ACCORDANCE WITH NAVSHIPS DWG. # 53702-921575, MODIFIED.
STEEL - WHEN IN ACCORDANCE WITH NAVSHIPS DWG. # 53702-860360, MODIFIED.
2. FINISH AS SPECIFIED.
3. STENCIL REPAIR LOCKER NO.____ AND P250 ACCESSORIES ON WHITE BACKGROUND 2" RED LETTERS.
4. INSTALL ON 6" FOUNDATION.
5. JAMESTOWN METAL DRAWING SK 358U.

DAMAGE CONTROL EQUIPMENT STOWAGE SKETCH # 072

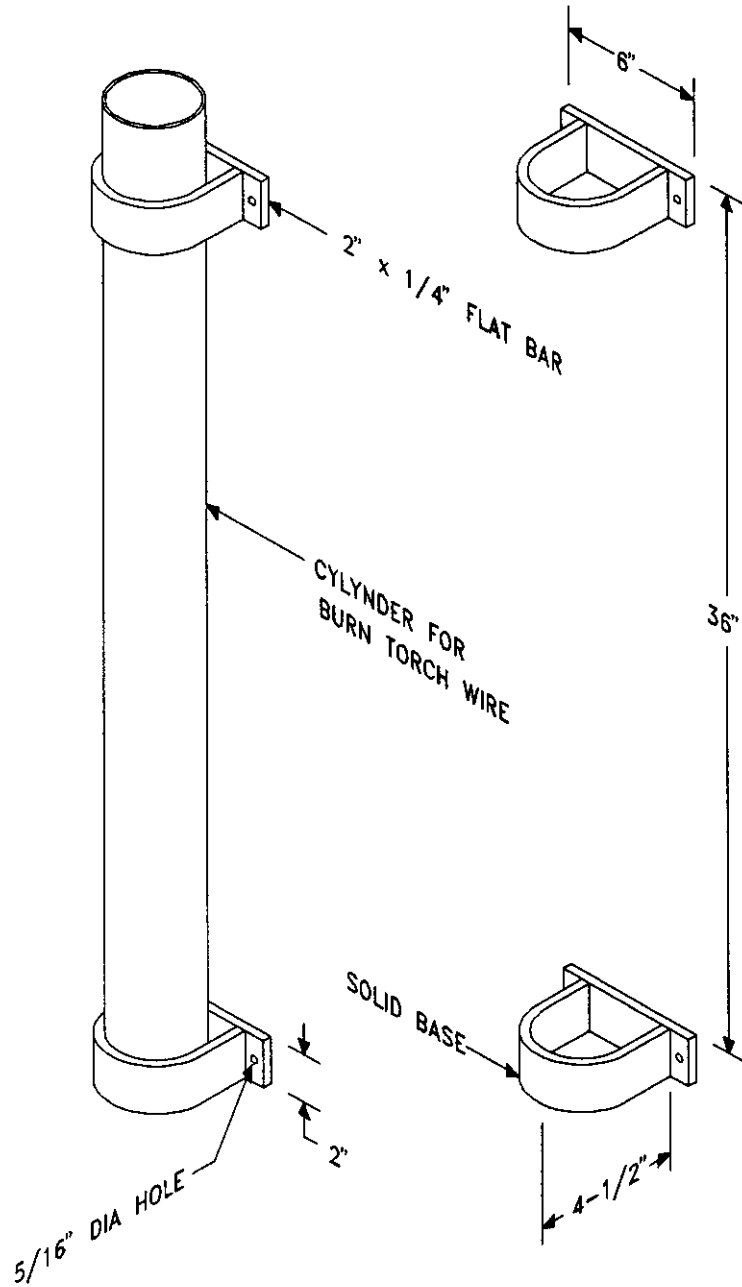
P250 EQUIPMENT ACCESSORY STOWAGE



PLAN VIEW

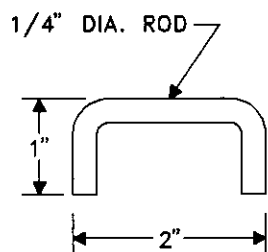
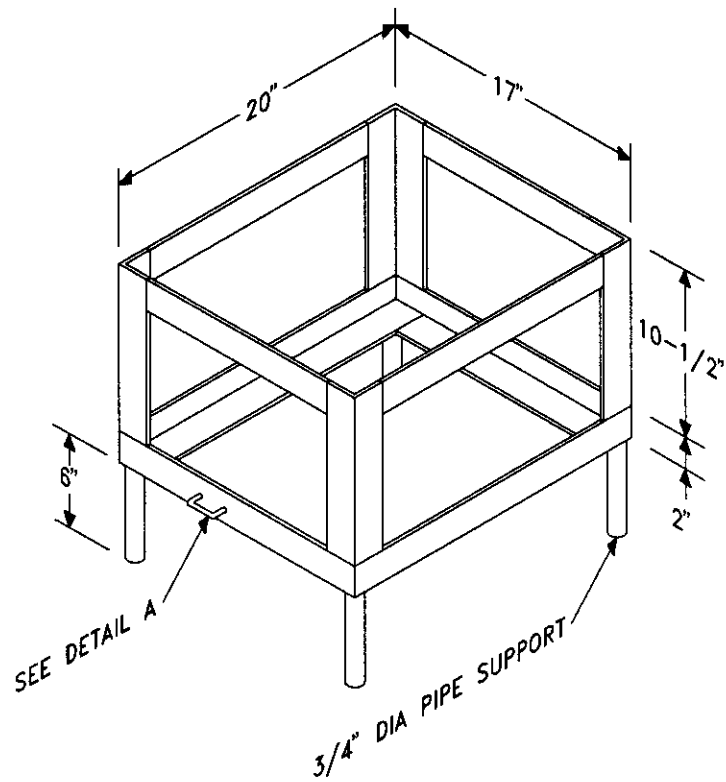


DAMAGE CONTROL EQUIPMENT STOWAGE SKETCH # 073
P-250 MOD 2 PROPANE CARTRIDGE STOWAGE



DAMAGE CONTROL EQUIPMENT STOWAGE SKETCH # 074

PECU ROD STOWAGE



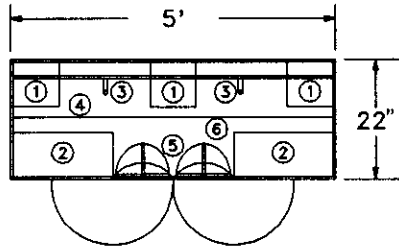
DETAIL A

DAMAGE CONTROL EQUIPMENT STOWAGE SKETCH # 075

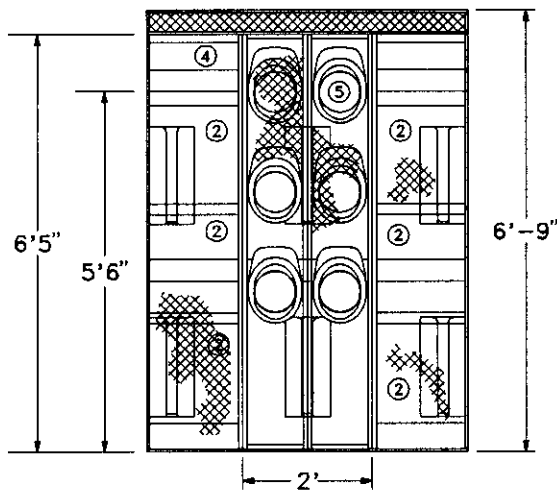
PECU STOWAGE BRACKET FOUNDATION

[BUILT-IN CAGE USING EXISTING STRUCTURE]

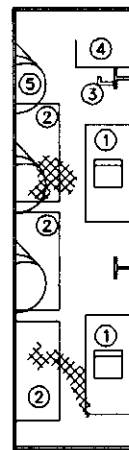
- ① OBA CANISTERS READY SERVICE STOWAGE RACK PORTABLE (6 EACH)
- ② SPACE FOR OBA or FFBA STOWAGE RACK (6 EACH)
- ③ FFE SUIT (HANGING STOWAGE HOOK) (2 EACH)
- ④ OPTIONAL SHELF FOR STOWAGE OF GAS MASK & LIFE-JACKETS (6 EACH)
- ⑤ FIREMEN'S HELMETS MK1 MOD2 (6 EACH)
- ⑥ BOOTS (FIREMEN'S) TO SIT ON DECK (6 PAIR)



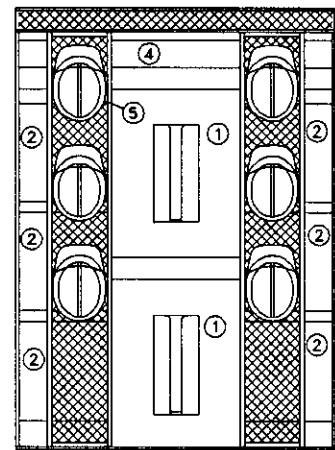
PLAN



ELEVATION
(DOORS CLOSED)



SECTION



ELEVATION
(DOORS OPEN)

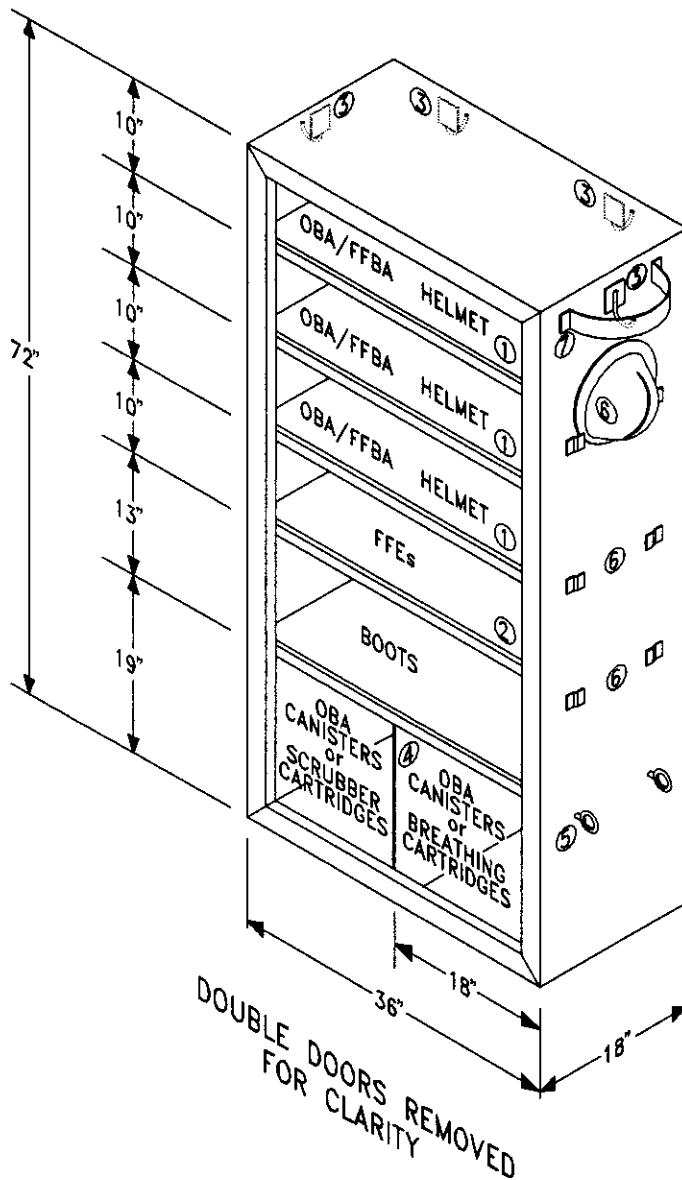
NOTES:

1. ANTI-FLASH GEAR TO BE STOWED IN FIREMEN'S HELMET.
2. GLOVES (FIREMEN) TO BE STOWED IN FFE SUIT POCKETS.
3. DOORS TO BE SECURED WITH (2) 2-1/2" BARREL BOLTS, 18" FROM TOP/BOTTOM OF DOOR.
4. CAGE TO BE CONSTRUCTED BY 3/8" EXPANDED METAL STEEL
5. ALL FRAMING MATERIALS ARE 1-1/2" ANGLE STEEL.
6. DOOR HINGES ARE 3" STRAP HINGE.
7. (2) 5/8" EYE HOOKS SHALL BE INSTALLED ON OUTSIDE EDGE TOP OF THE DOOR FRAME TO SECURE DOOR IN OPEN POSITION.
8. (2) 5/8" EYES TO SECURE BUNGI CORD INSTALLED 1' ABOVE THE DECK, 14" APART DIRECTLY BELOW HANGER HOOKS.
9. INSTALL BUTTERFLY CLIPS IAW NAVSEA SKETCH NO. DC 0003 TO MOUNT HELMETS.
10. INSTALL OBA RACKS IAW NAVSEA SKETCH NO. DC 0011.
11. FABRICATE AND INSTALL PORTABLE CANISTER RACK IAW NAVSEA SKETCH NO. DC 0004.
12. HANGING HOOK TO BE FABRICATED FROM 5/8" ROUND STOCK - STEEL BY 6" LONG.
13. FABRICATE 4" X 4" X 1/8" STEEL BACKING PLATE, WELD TO EXPANDED METAL GAGE TO MOUNT OBA CANISTER RACK WITH 1/4" X 20 THD R/H SCREWS.

DAMAGE CONTROL EQUIPMENT STOWAGE SKETCH # 076

PERSONNEL PROTECTION EQUIPMENT STOWAGE (BUILT IN CAGE)

PERSONNEL PROTECTION EQUIPMENT (PPE) LOCKER
 OPTIONAL: (3 OBAS/FFBAS)



- ① (OPTIONAL) ONE EACH READY SERVICE BREATHING CARTRIDGE AND CO₂ SCRUBBER
- ② (OPTIONAL) STOWAGE COVERALLS/FFE SUITS
- ③ (OPTIONAL) HANGER HOOK TO HANG FFE SUIT OR BUTTERFLY CLIPS FOR HELMETS [1 SQFT PER HELMET]
- ④ REMOVABLE PARTITION
- ⑤ BUNGI CORD EYE HOOK TO SECURE FFE SUIT
- ⑥ FF HELMET
- ⑦ EYE PROTECTION SHIELD

PPE LOCKER

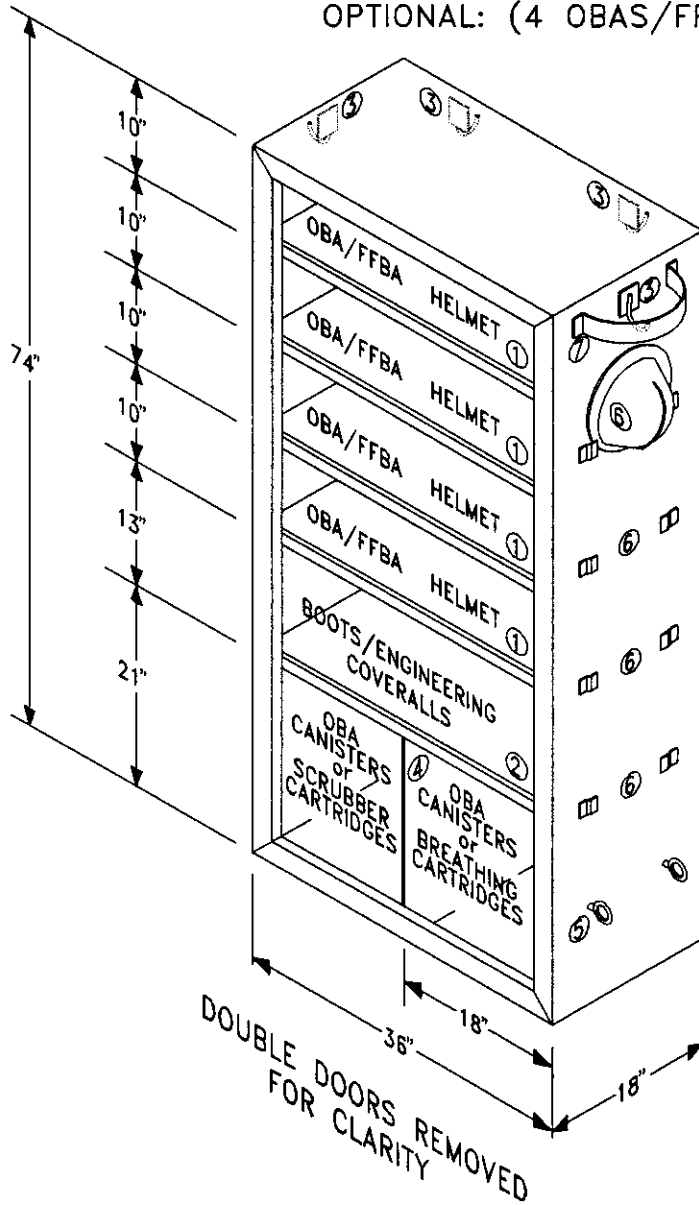
- 3 - FFE
- 3 - OBA/FFBA
- 36 - OBA CANISTERS
or
- 18 - BREATHING CARTRIDGES (6/FFBA)
- 18 - SCRUBBER CARTRIDGES (6/FFBA)

SHELVES ARRANGED AS SHOWN.
 ALL OTHER REQUIREMENTS OF
 DWG 803-54824286.
 ASSEMBLY 104 APPLY.

DAMAGE CONTROL EQUIPMENT STOWAGE SKETCH # 077
PERSONNEL PROTECTION EQUIPMENT STOWAGE (3 FFE)
VERSION 1

PERSONNEL PROTECTION EQUIPMENT (PPE) LOCKER

OPTIONAL: (4 OBAS/FFBAS)



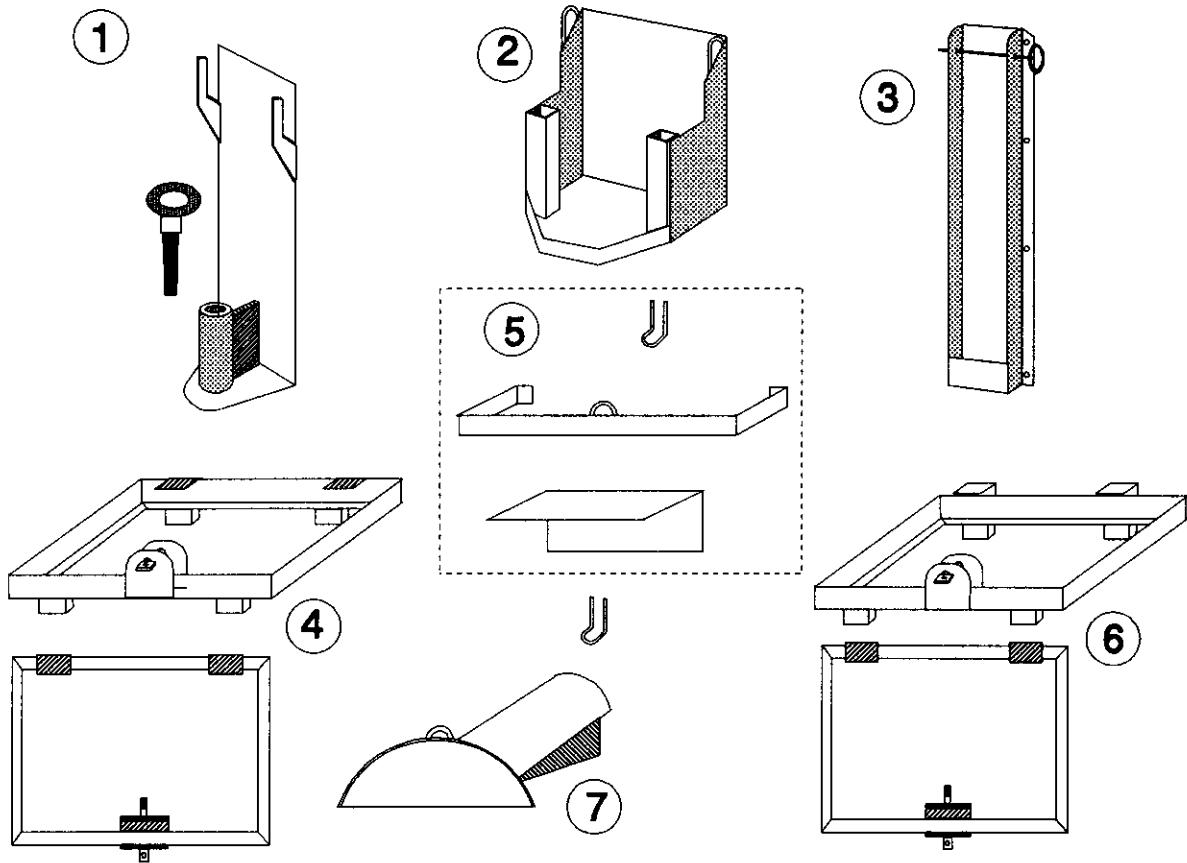
- ① (OPTIONAL) ONE EACH READY SERVICE BREATHING CARTRIDGE AND CO₂ SCRUBBER
- ② (OPTIONAL) STORAGE COVERALLS/FFE SUITS
- ③ (OPTIONAL) HANGER HOOK TO HANG FFE SUIT OR BUTTERFLY CLIPS FOR HELMETS [1 SOFT PER HELMET]
- ④ REMOVABLE PARTITION
- ⑤ BUNGI CORD EYE HOOK TO SECURE FFE SUIT
- ⑥ FF HELMET
- ⑦ EYE PROTECTION SHIELD

PPE LOCKER

- 4 - OBA/FFBA
- 4 - PAIR BOOTS
- 4 - SETS COVERALLS
- 4 - FIREFIGHTING HELMETS
- 36 - OBA CANISTERS
- or
- 24 - BREATHING CARTRIDGES (6/FFBA)
- 24 - SCRUBBER CARTRIDGES (6/FFBA)

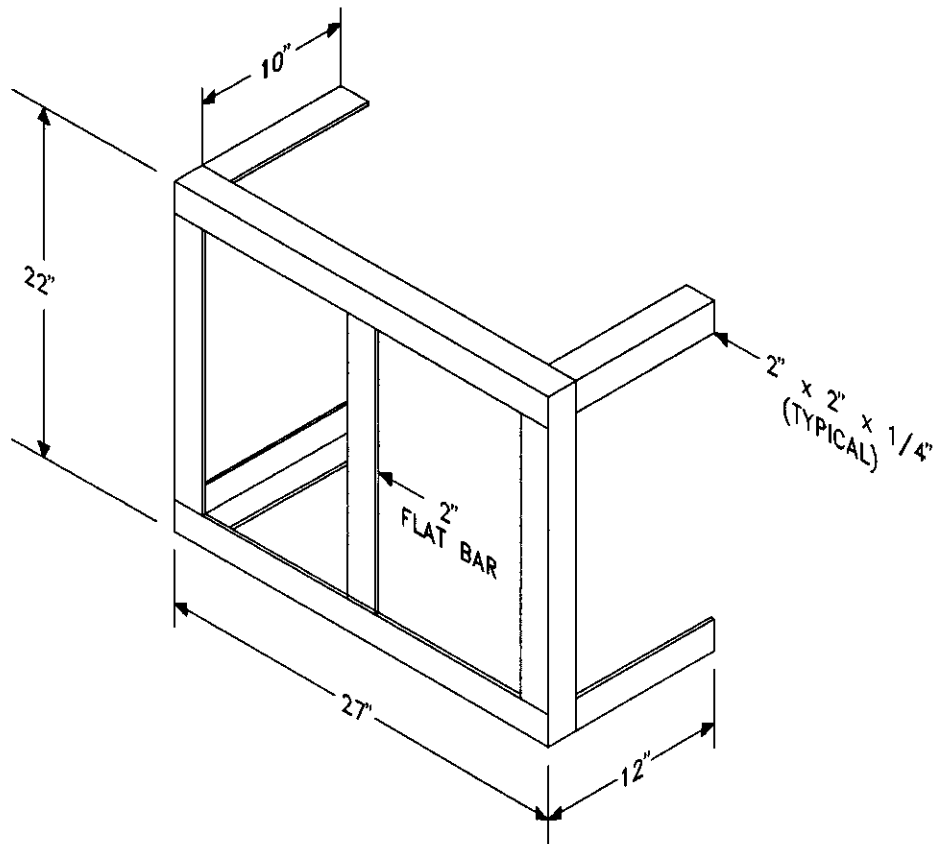
SHELVES ARRANGED AS SHOWN.
ALL OTHER REQUIREMENTS OF
DWG 803-54824286.
ASSEMBLY 104 APPLY.

DAMAGE CONTROL EQUIPMENT STOWAGE SKETCH # 078
PERSONNEL PROTECTION EQUIPMENT STOWAGE (4 FFE)
VERSION 2



Bracket Description	Manufacturer	Dimensions
1. Model 150/Omni	For Hurst Tool	17¾"H x 5½"W x 5"D
2. Model 27 Bracket	For Hurst Tool	31"H x 13½"W x 7¾"D
3. Model 30 Ram	For Hurst Tool	24"H x 5½"W x 3¾"D
4. Engine Mounting Bracket -	Ship's Force	2½"H x 20"W x 20"D
5. Attachment Case Bracket - - Wrap around bracket - Support bracket - Tie down hook	Ship's Force	1"H x 16"W x 4"D 2"H x 4"W x 4"D
6. Hose Reel Bracket -	Ship's Force	2½"H x 16½"W x 16½"D
7. Hose Bracket -	Ship's Force	10"H x 14"W x 12"D

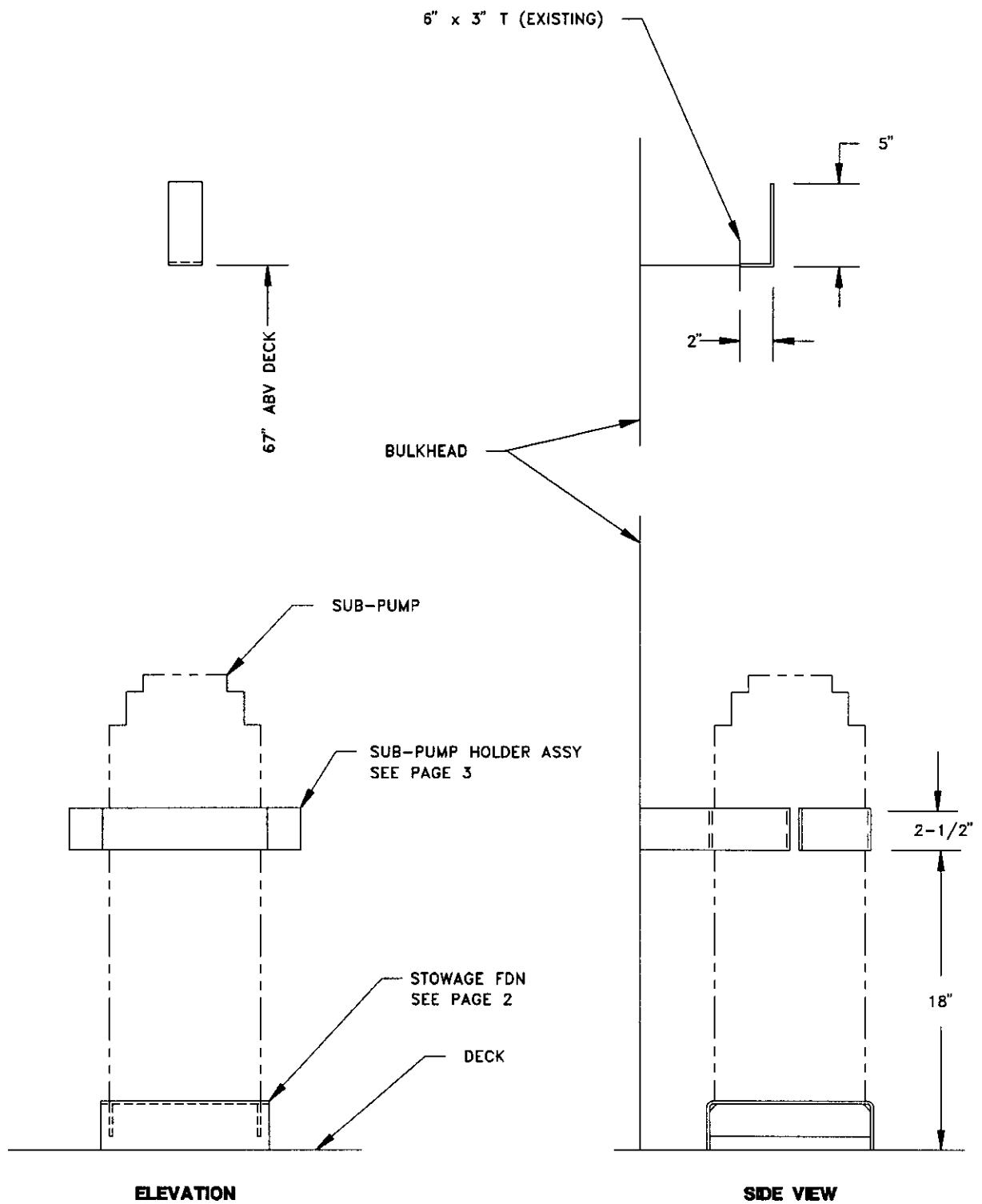
DAMAGE CONTROL EQUIPMENT STOWAGE SKETCH #079
PHARS STOWAGE BRACKETS



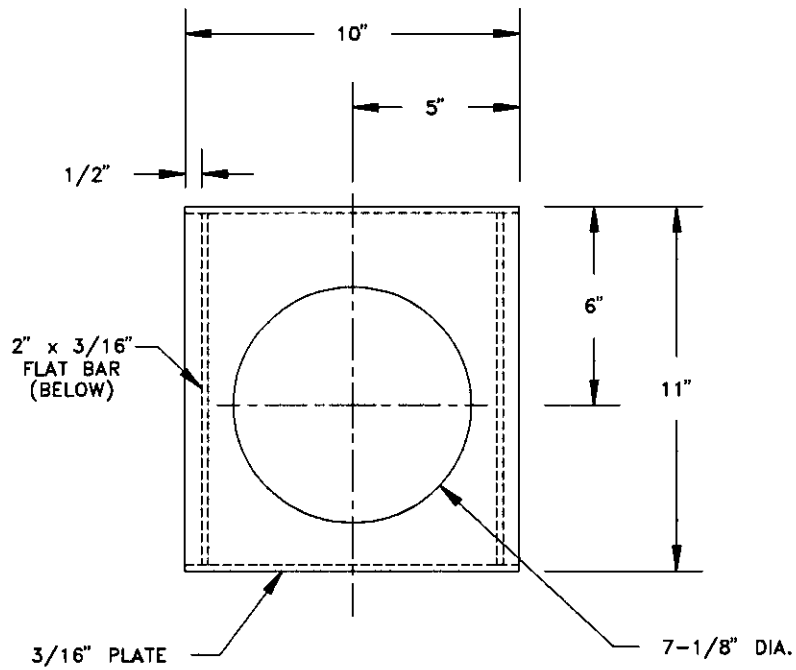
**PLATE PATCH STOWAGE
(BHD MOUNTED)**

DAMAGE CONTROL EQUIPMENT STOWAGE SKETCH # 080

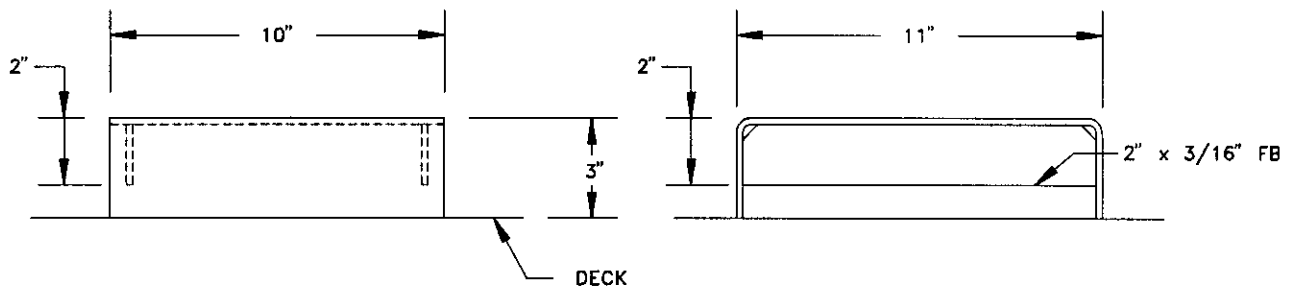
PLATE PATCH STOWAGE RACK



DAMAGE CONTROL EQUIPMENT STOWAGE SKETCH # 081
PORTABLE SUB-PUMP STOWAGE
(PAGE 1 OF 3)



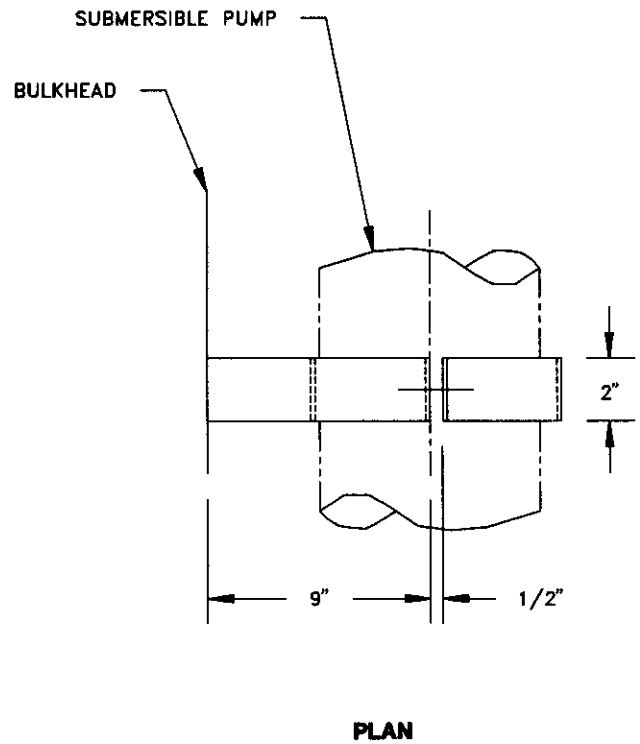
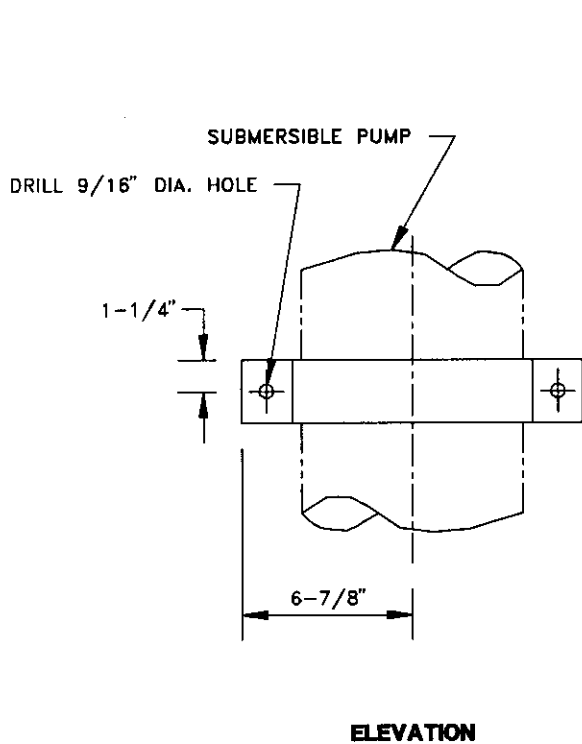
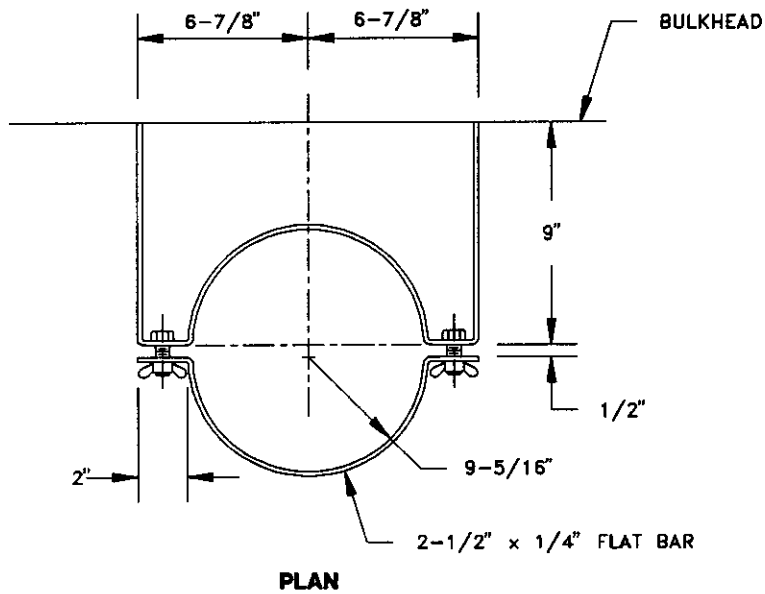
PLAN



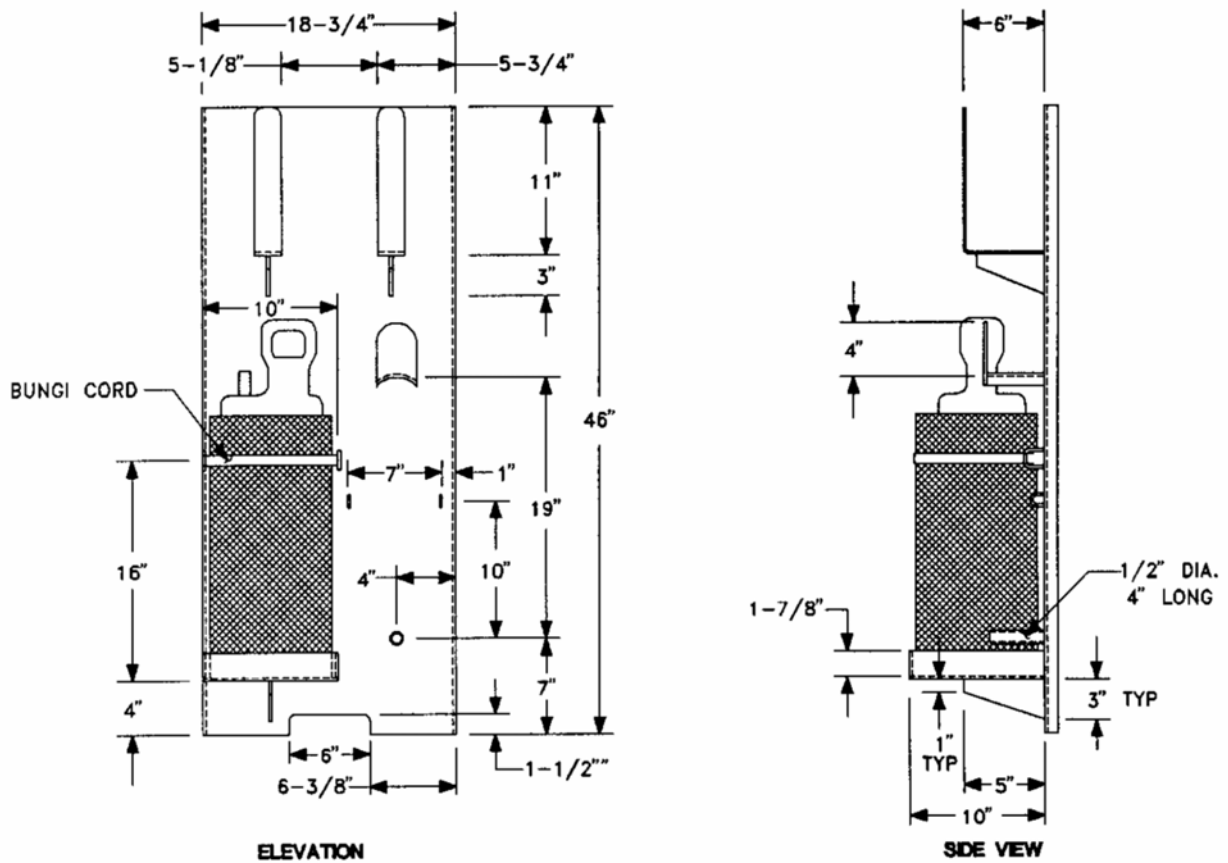
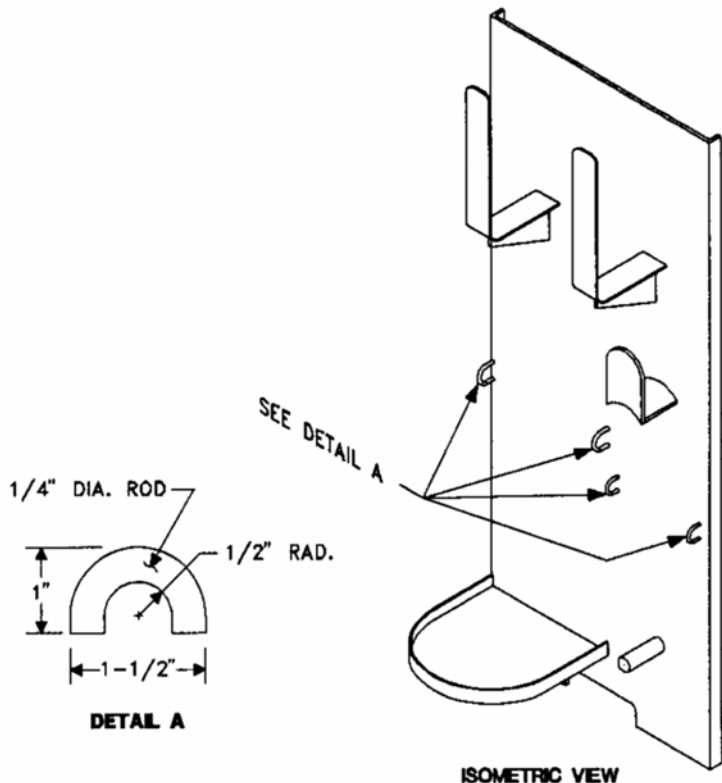
ELEVATION

SIDE VIEW

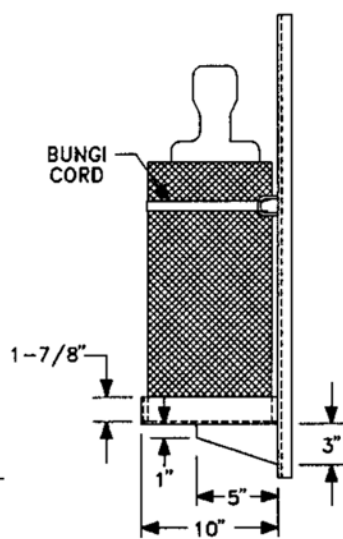
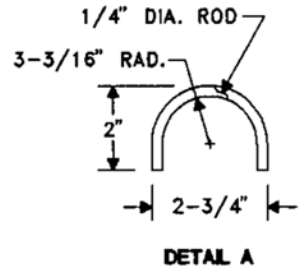
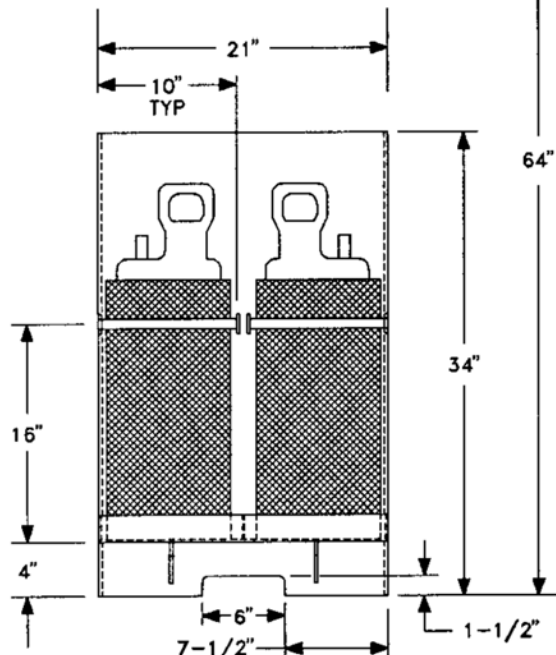
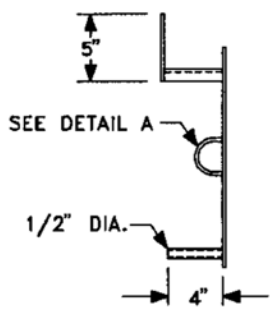
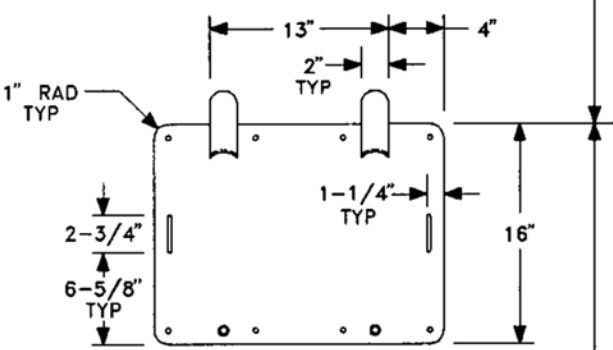
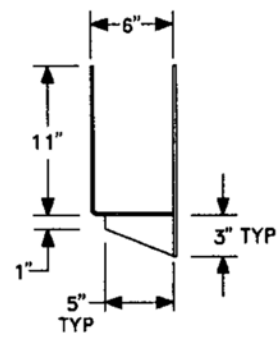
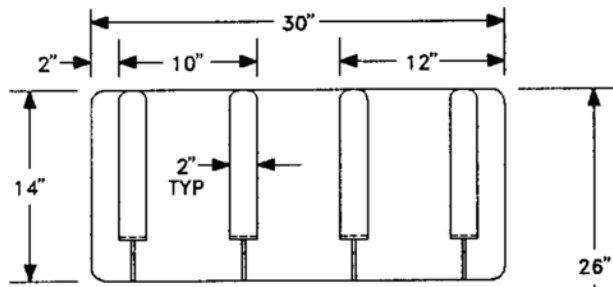
DAMAGE CONTROL EQUIPMENT STOWAGE SKETCH # 081
PORTABLE SUB-PUMP (FOUNDATION) STOWAGE
(PAGE 2 OF 3)



DAMAGE CONTROL EQUIPMENT STOWAGE SKETCH # 081
PORTABLE SUB-PUMP (HOLDER ASSEMBLY) STOWAGE
(PAGE 3 OF 3)



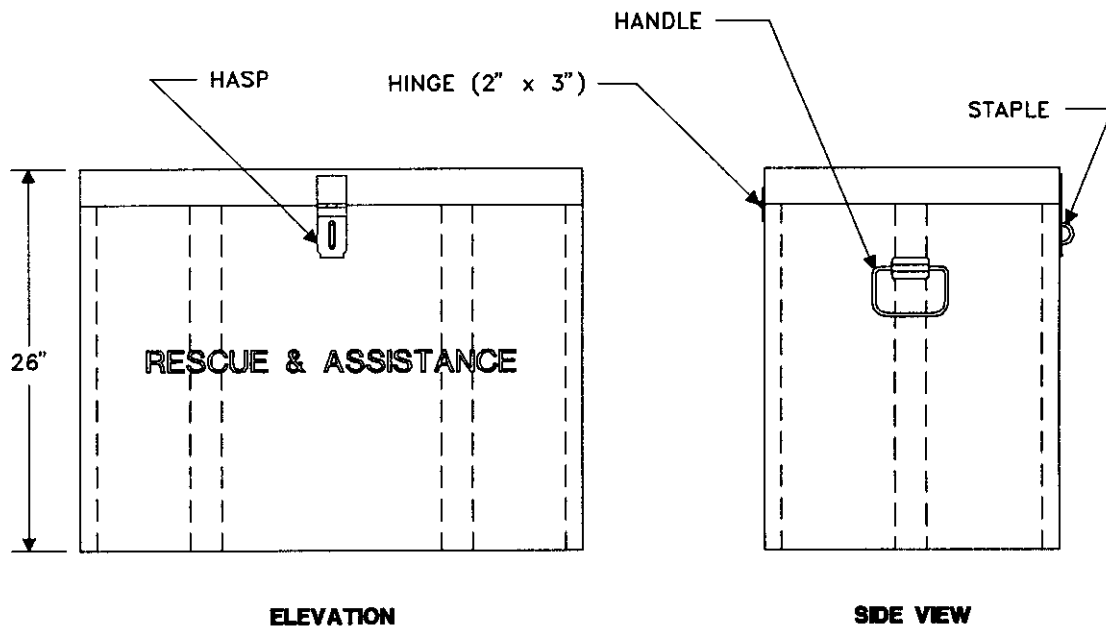
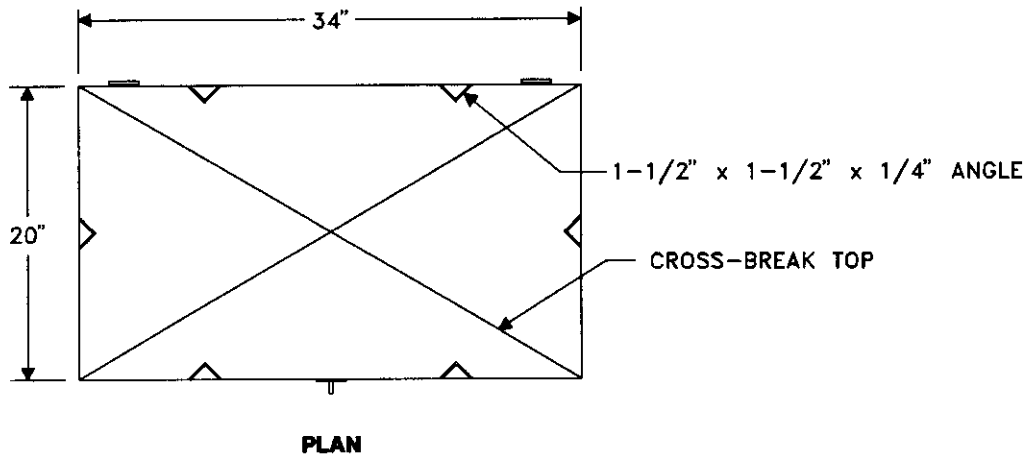
DAMAGE CONTROL EQUIPMENT STORAGE SKETCH #081A
PORTABLE SUB-PUMP STORAGE
SINGLE UNIT



ELEVATION

SIDE VIEW

DAMAGE CONTROL EQUIPMENT STORAGE SKETCH #081B
PORTABLE SUB-PUMP STORAGE
DOUBLE UNIT



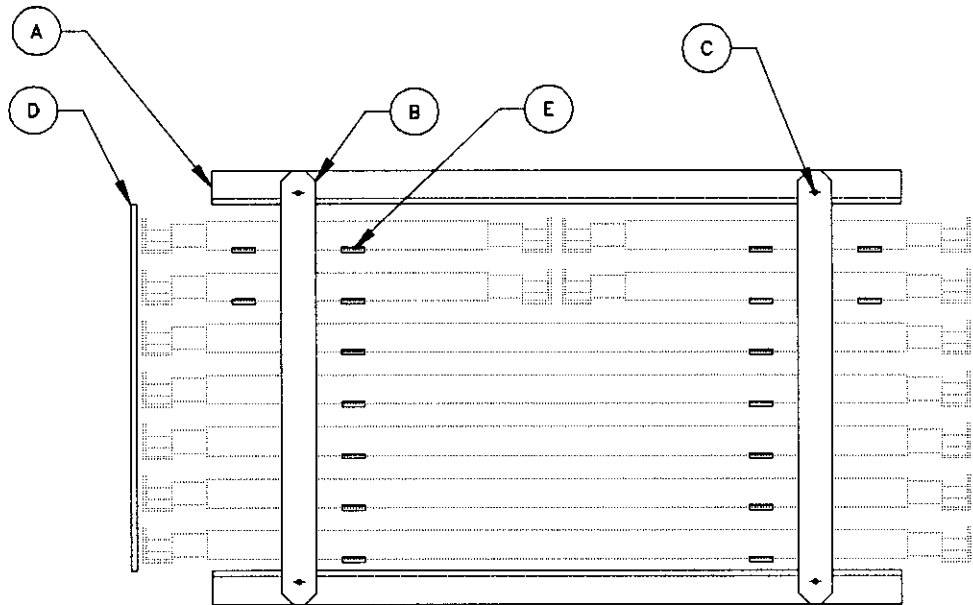
NOTES:

1. CHEST TO BE FABRICATED TO MEET WATERTIGHT INTEGRITY.
2. THIS CHEST IS TO BE PAINTED STRIPPING ENAMEL RED COLOR NO. 11105 FED STD 595 MIL-SPEC TT-E-489.
3. "RESCUE & ASSISTANCE" TO BE STENCILED 1-1/2" LETTERS WITH WHITE PAINT.

DAMAGE CONTROL EQUIPMENT STOWAGE SKETCH # 082

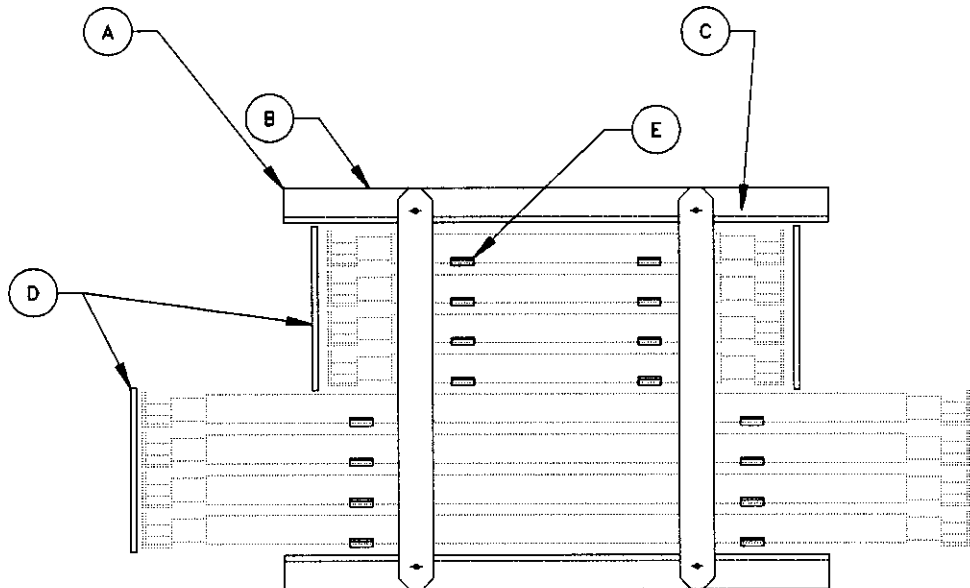
RESCUE AND ASSISTANCE CHEST

- (A) 60" x 3" x 3" x 1/2" ANGLE
- (B) 32" x 3" x 1/2" FLAT STOCK
(DRILL 13/32" DIA ON ENDS)
- (C) 1/2" x 3/8" BOLTS WITH WING NUTS
- (D) 38" x 3" x 1/4" FLAT STOCK
- (E) 2" x 4-3/4" x 1/4" CLIPS FOR SUPPORT



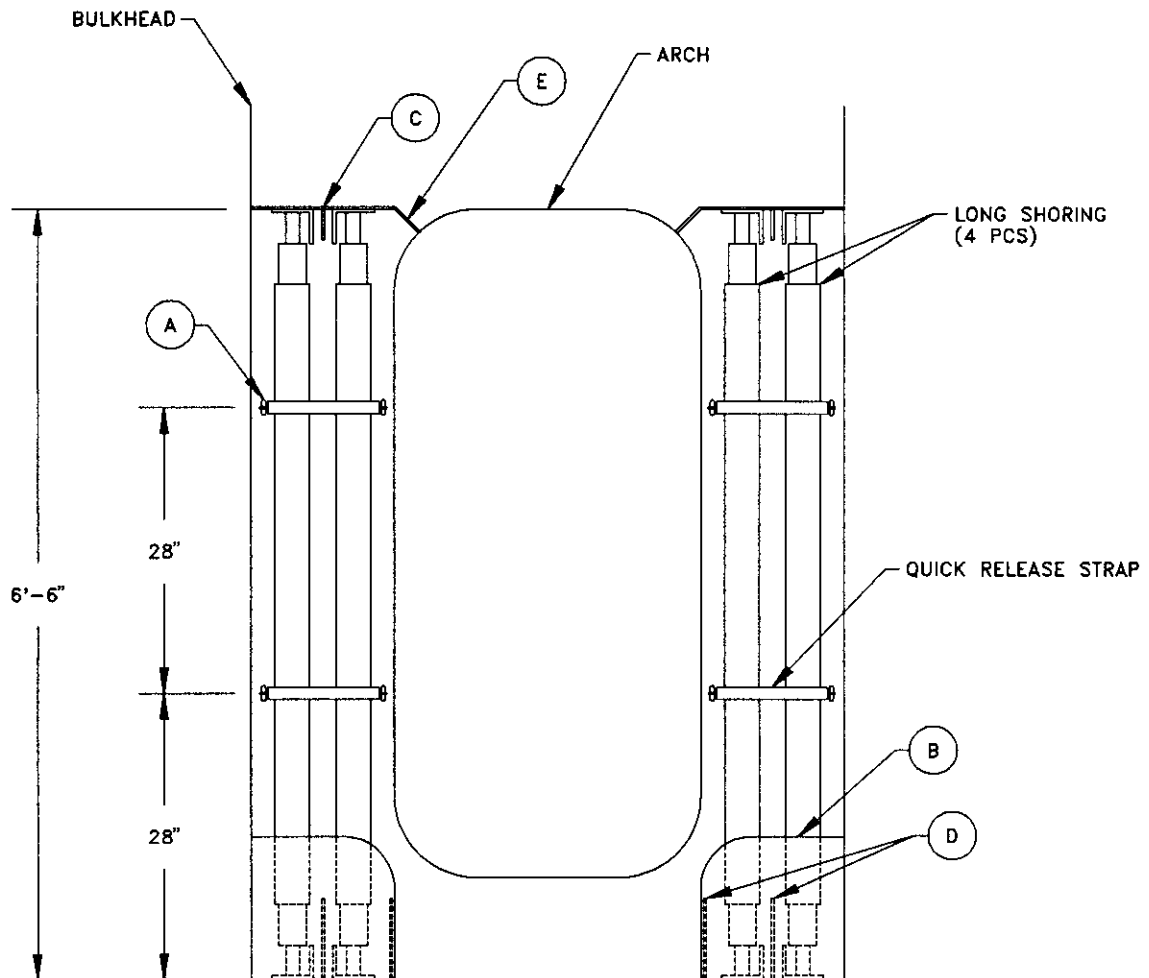
DAMAGE CONTROL EQUIPMENT STOWAGE SKETCH # 083
SHORING METAL STORAGE RACK (HORIZONTAL)
VERSION 1

- (A) 47-1/2" x 3" x 3" x 1/2" ANGLE
- (B) 35" x 3" x 1/2" FLAT STOCK
(DRILL 13/32" DIA ON ENDS)
- (C) 1/2" x 3/8" BOLTS WITH WING NUTS
- (D) 15" x 3" x 1/4" FLAT STOCK
- (E) 2" x 4-3/4" x 1/4" CLIPS FOR SUPPORT

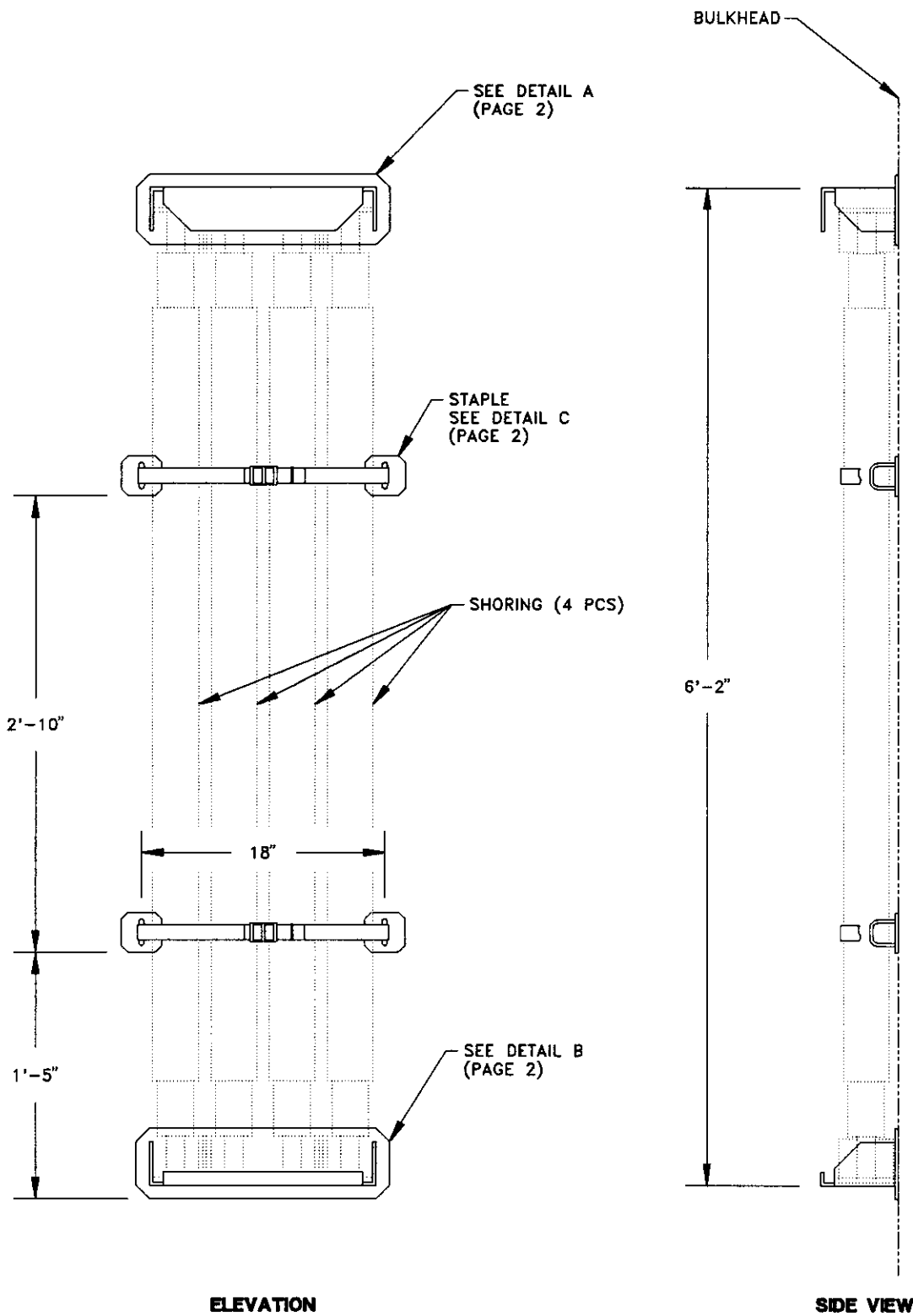


DAMAGE CONTROL EQUIPMENT STOWAGE SKETCH # 084
SHORING METAL STORAGE RACK (HORIZONTAL)
VERSION 2

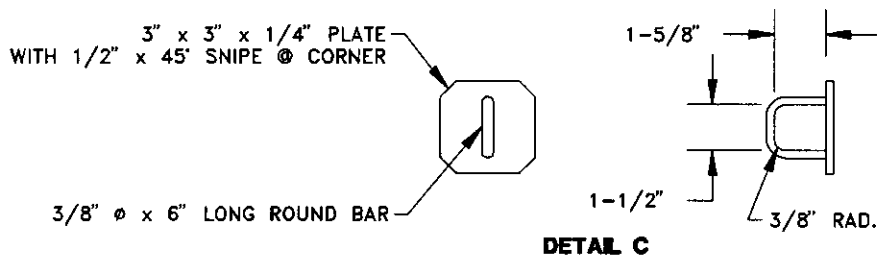
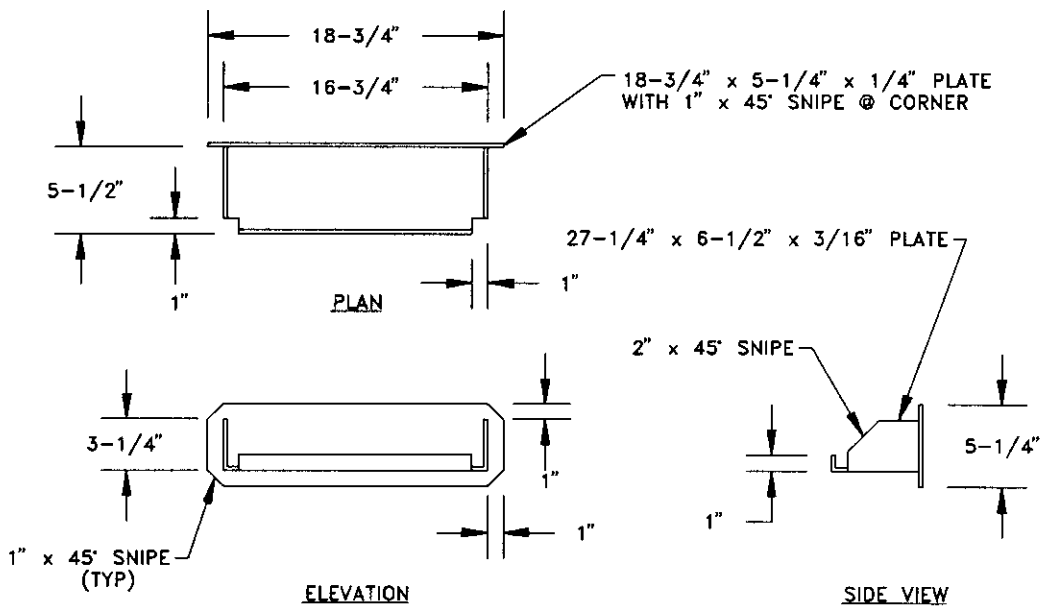
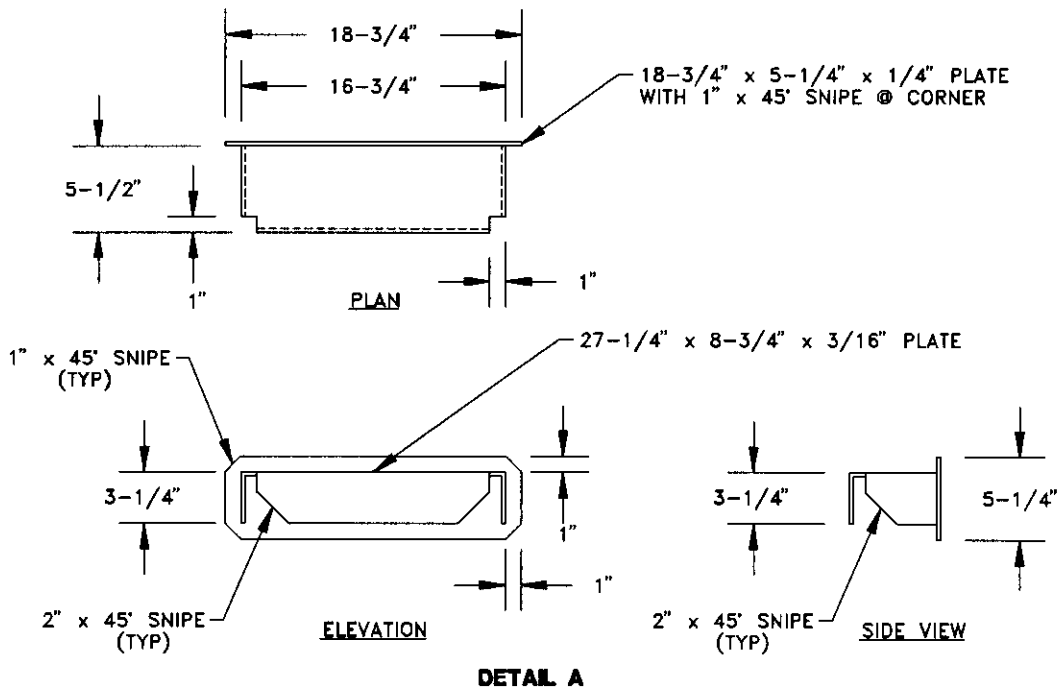
- (A) ROUND BAR, 3/8" DIA., 6" LONG STEEL, 8 EACH.
- (B) PLATE, 1/4" x 12" x 12" WITH 3" RAD CORNER, STEEL 2 EACH.
- (C) PLATE, 1/4" x 10" x 5" STEEL, 2 EACH.
- (D) PLATE, 1/4" x 5" x 8" STEEL, 4 EACH.
- (E) PLATE, 1/4" x 3" x 5" STEEL, 2 EACH.



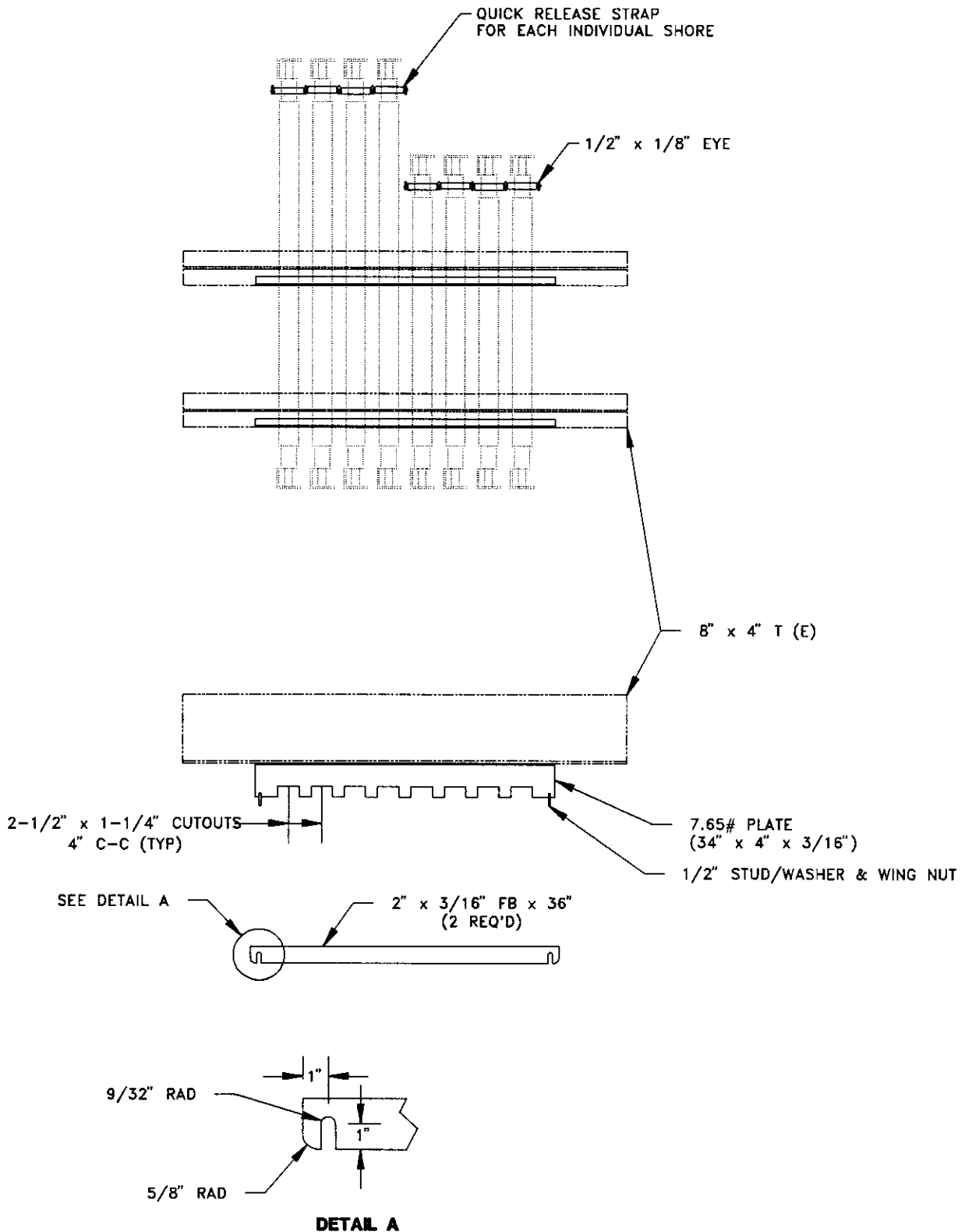
DAMAGE CONTROL EQUIPMENT STOWAGE SKETCH # 085
SHORING METAL STOWAGE RACK (VERTICAL)
VERSION 3



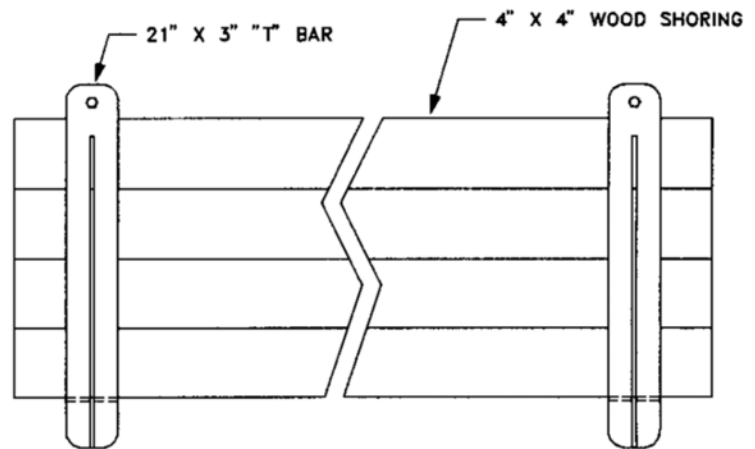
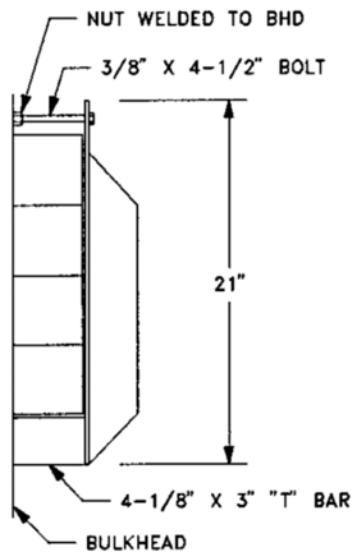
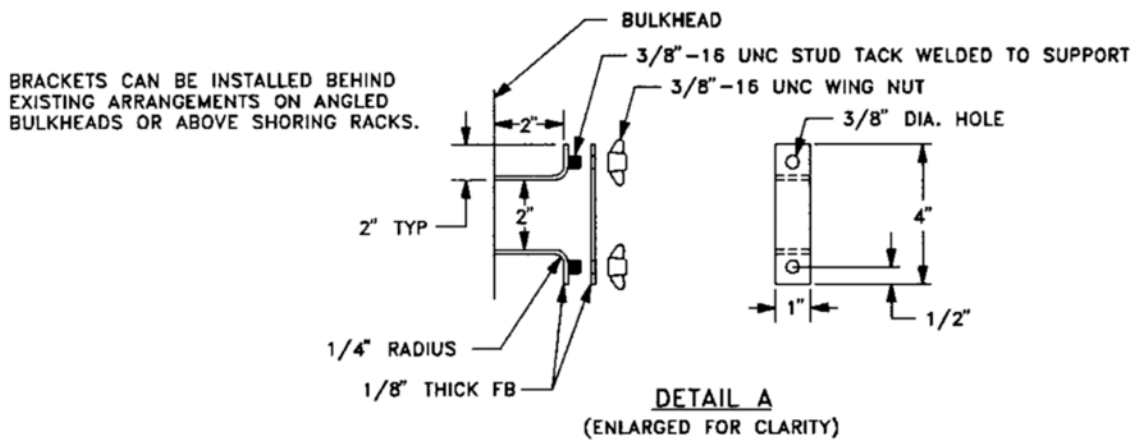
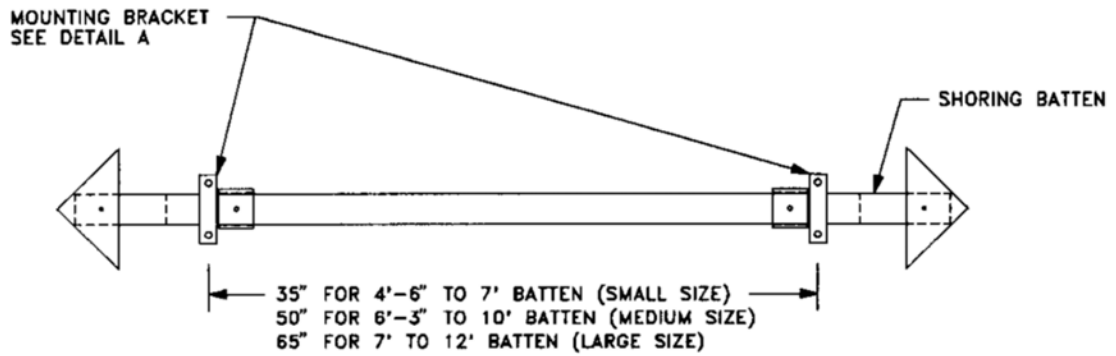
DAMAGE CONTROL EQUIPMENT STOWAGE SKETCH # 086
SHORING METAL STORAGE RACK (VERTICAL)
VERSION 4 (PAGE 1 OF 2)



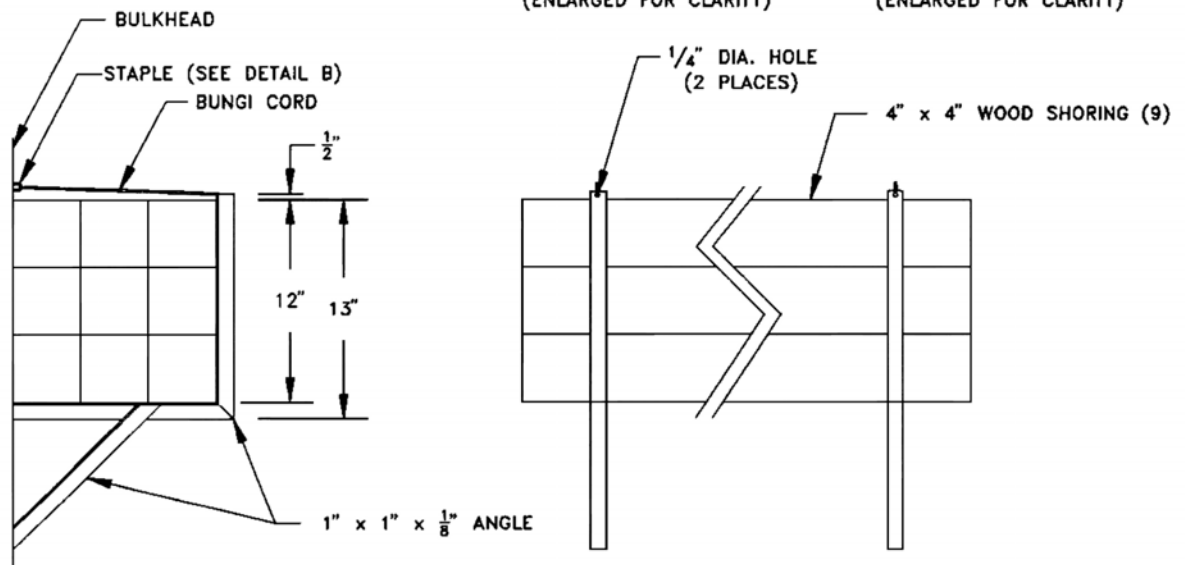
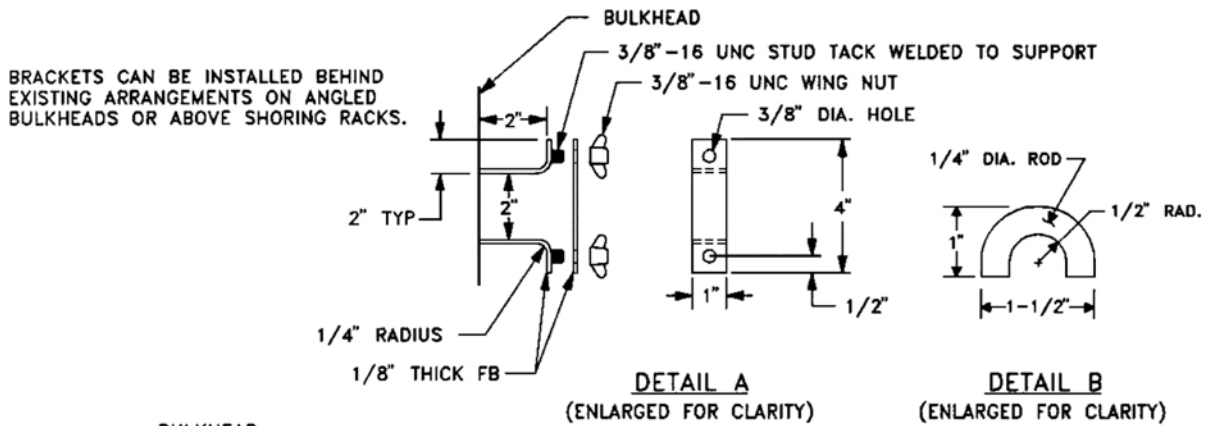
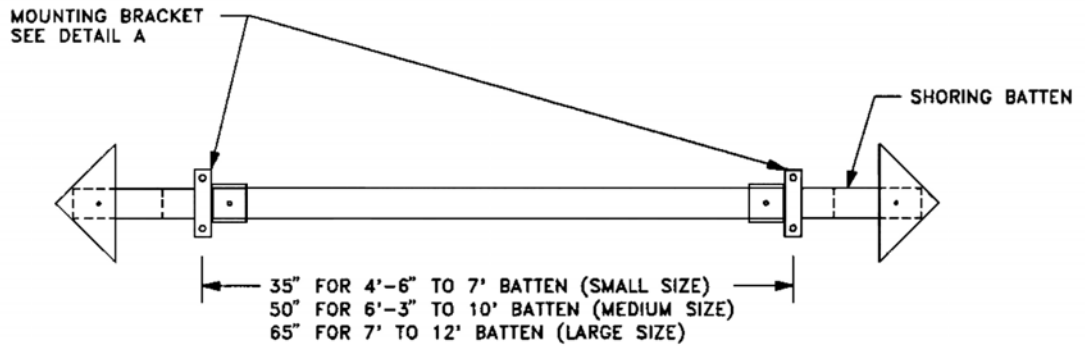
DAMAGE CONTROL EQUIPMENT STOWAGE SKETCH # 086
SHORING METAL STOWAGE RACK (VERTICAL)
VERSION 4 (PAGE 2 OF 2)



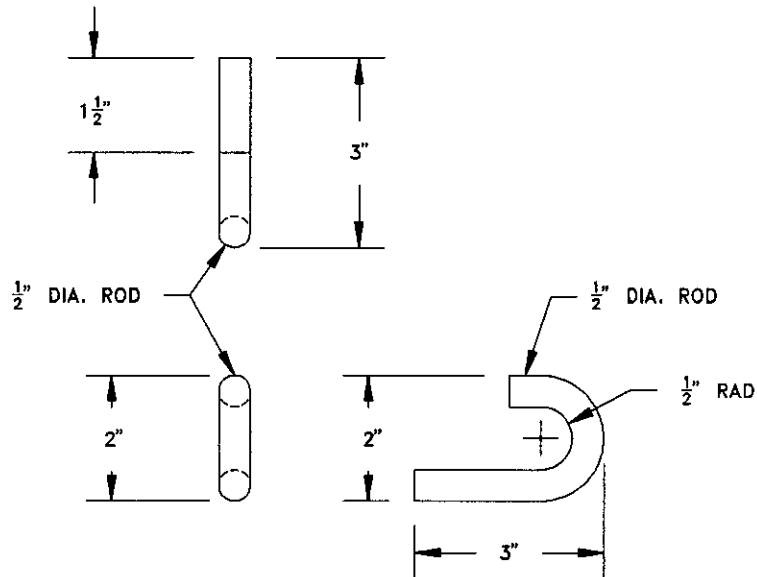
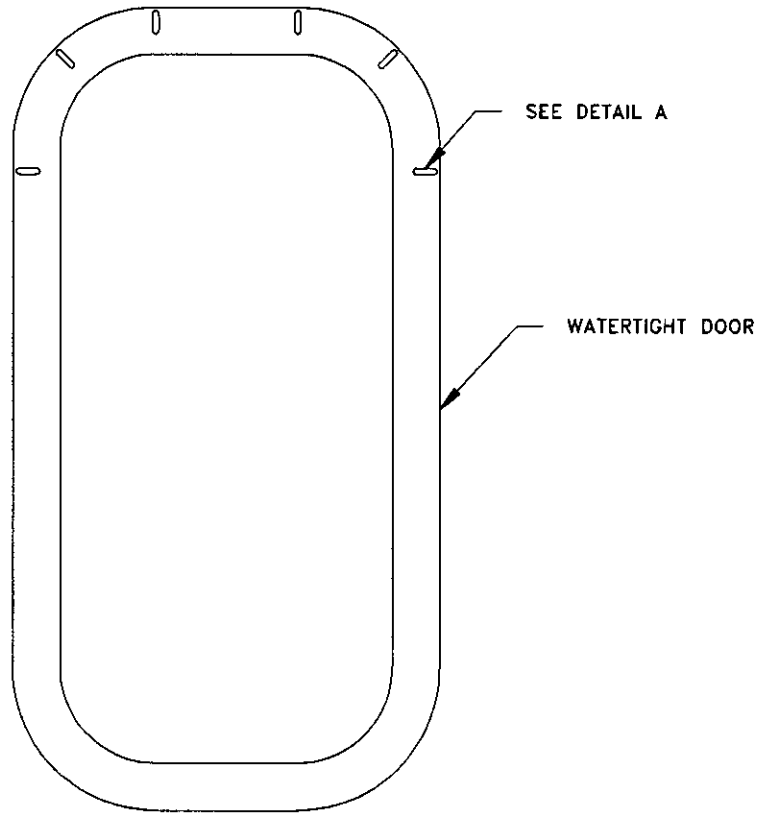
DAMAGE CONTROL EQUIPMENT STOWAGE SKETCH # 087
SHORING METAL STORAGE RACK (VERTICAL)
VERSION 5



DAMAGE CONTROL EQUIPMENT STOWAGE SKETCH # 088
SHORING WOODEN, STOWAGE RACK (4 PCS)
WITH SHORING BATTEN STOWAGE



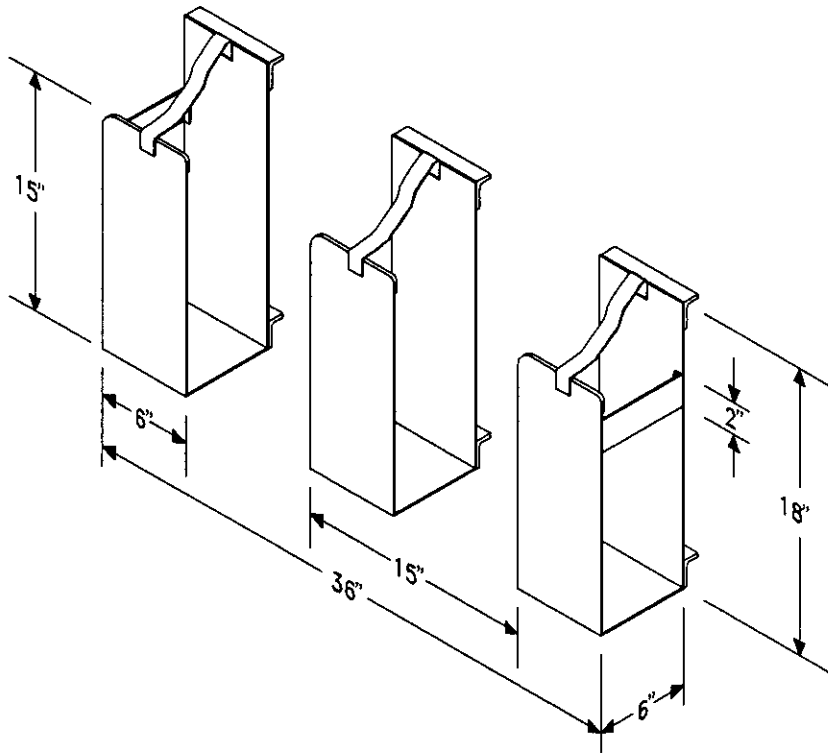
DAMAGE CONTROL EQUIPMENT STOWAGE SKETCH # 089
SHORING WOODEN, STOWAGE RACK (9 PCS)
WITH SHORING BATTEN STOWAGE



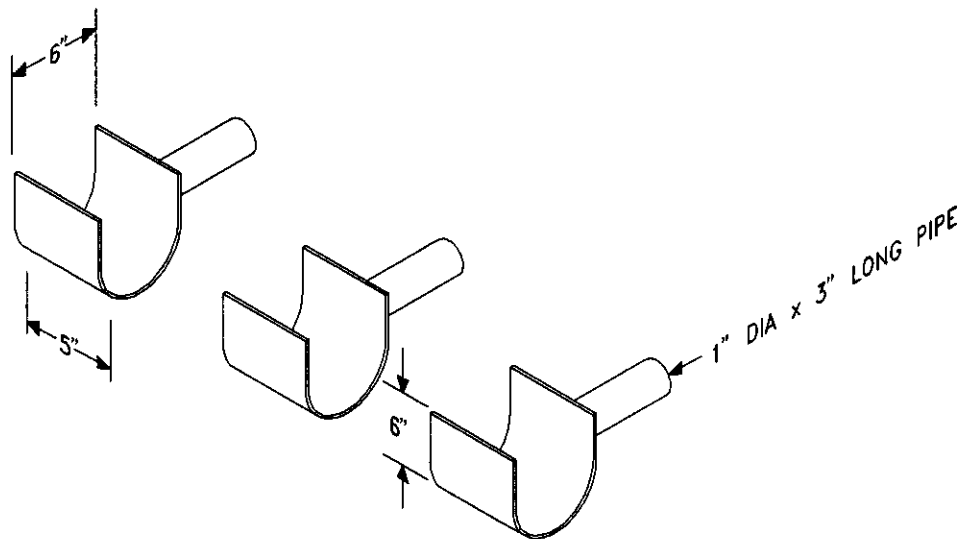
DETAIL A

DAMAGE CONTROL EQUIPMENT STOWAGE SKETCH # 090

SMOKE CURTAIN HOOKS

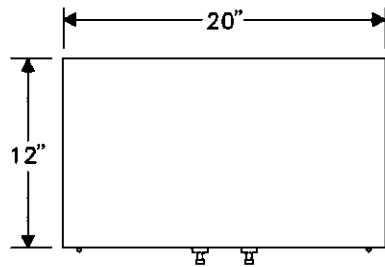


VERSION 1 (BHD MOUNTED)

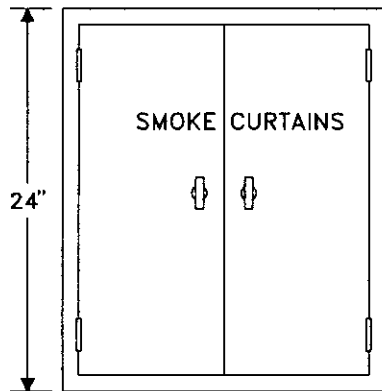
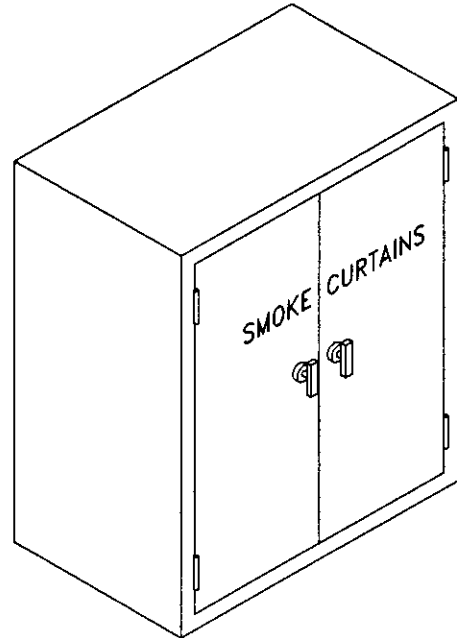


VERSION 2 (ABOVE DOOR MOUNTED)

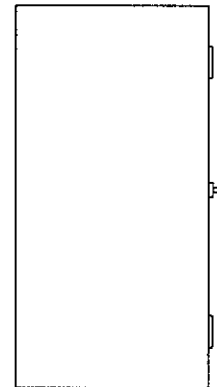
DAMAGE CONTROL EQUIPMENT STOWAGE SKETCH # 091
SMOKE CURTAIN STOWAGE (BRACKET)



PLAN



ELEVATION

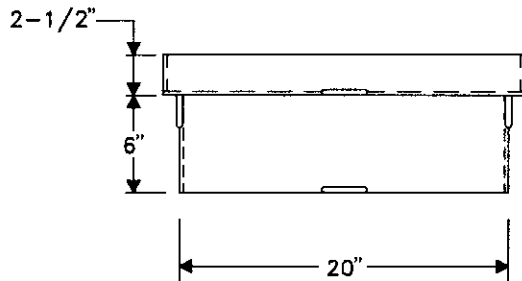


SIDE VIEW

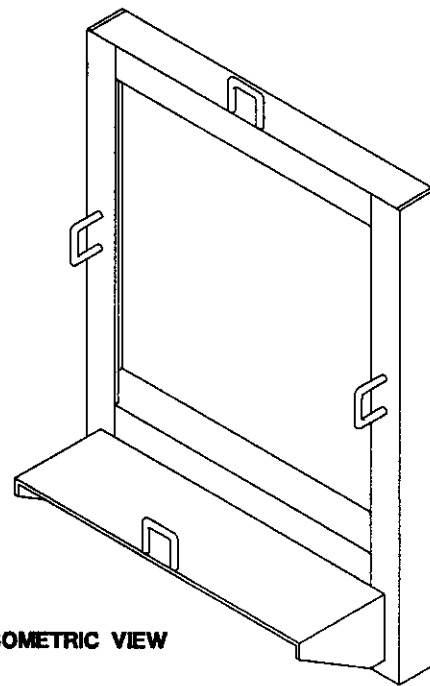
NOTES:

1. MATERIALS:
 ALUMINUM - WHEN MADE IN ACCORDANCE WITH NAVSHIPS DWG # 805-1639424 & 3209-86189 (FOR GUIDE ONLY).
 STEEL - WHEN MADE IN ACCORDANCE WITH NAVSHIPS DWG # 805-4598127 (FOR GUIDE ONLY).
2. FINISH AS SPECIFIED.
3. ADJUSTABLE SHELVES TO HAVE 1" LIP QUAN. AS SPECIFIED.
4. STENCIL 2" LETTERS, BLACK, "SMOKE CURTAINS".
5. JAMESTOWN METAL MARINE SK 207-1-2-N.

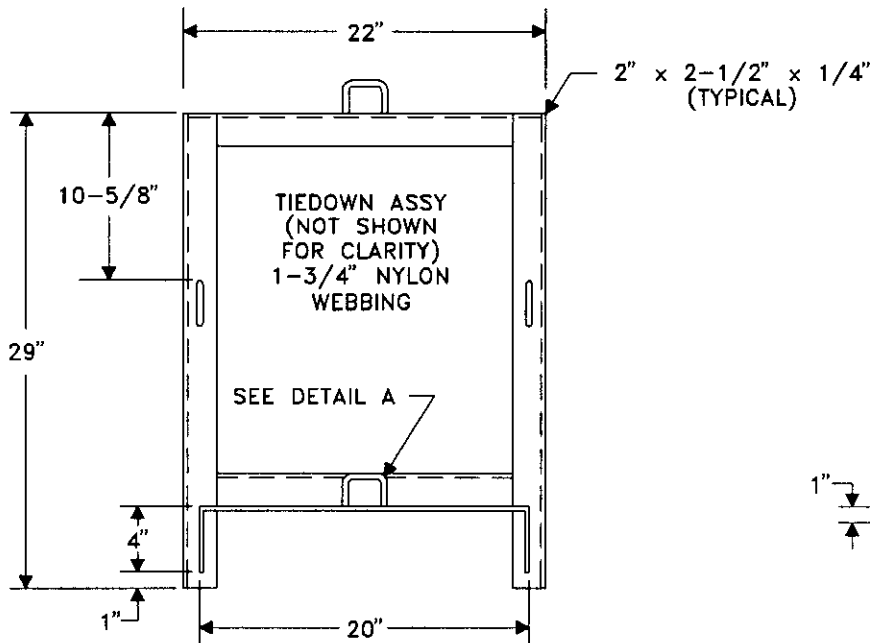
DAMAGE CONTROL EQUIPMENT STOWAGE SKETCH # 092
SMOKE CURTAIN STOWAGE (LOCKER)



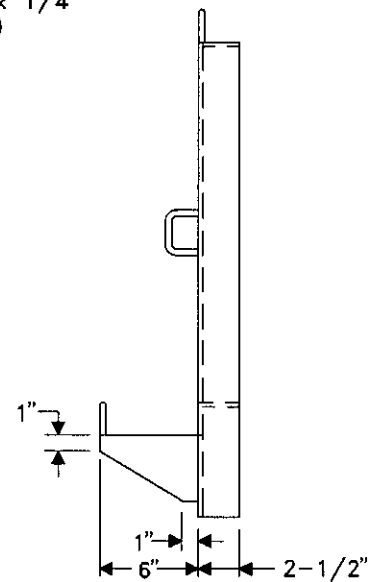
PLAN VIEW



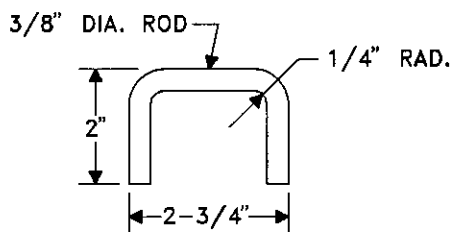
ISOMETRIC VIEW



ELEVATION VIEW



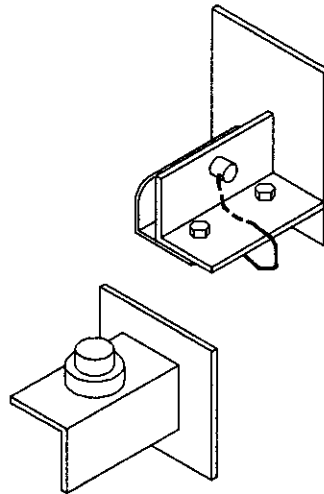
SIDE VIEW



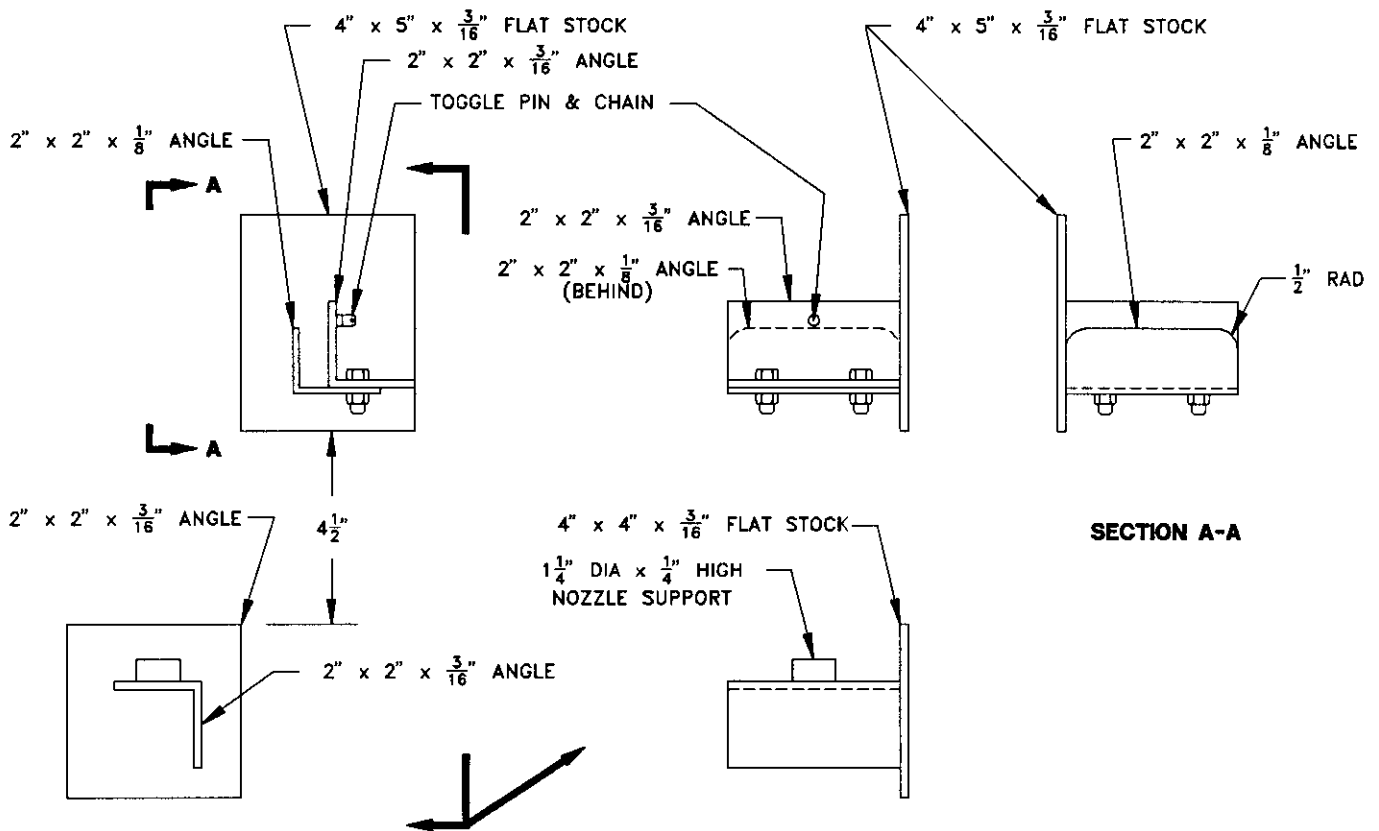
DETAIL A

DAMAGE CONTROL EQUIPMENT STOWAGE SKETCH # 093

SMOKE GENERATOR STOWAGE RACK

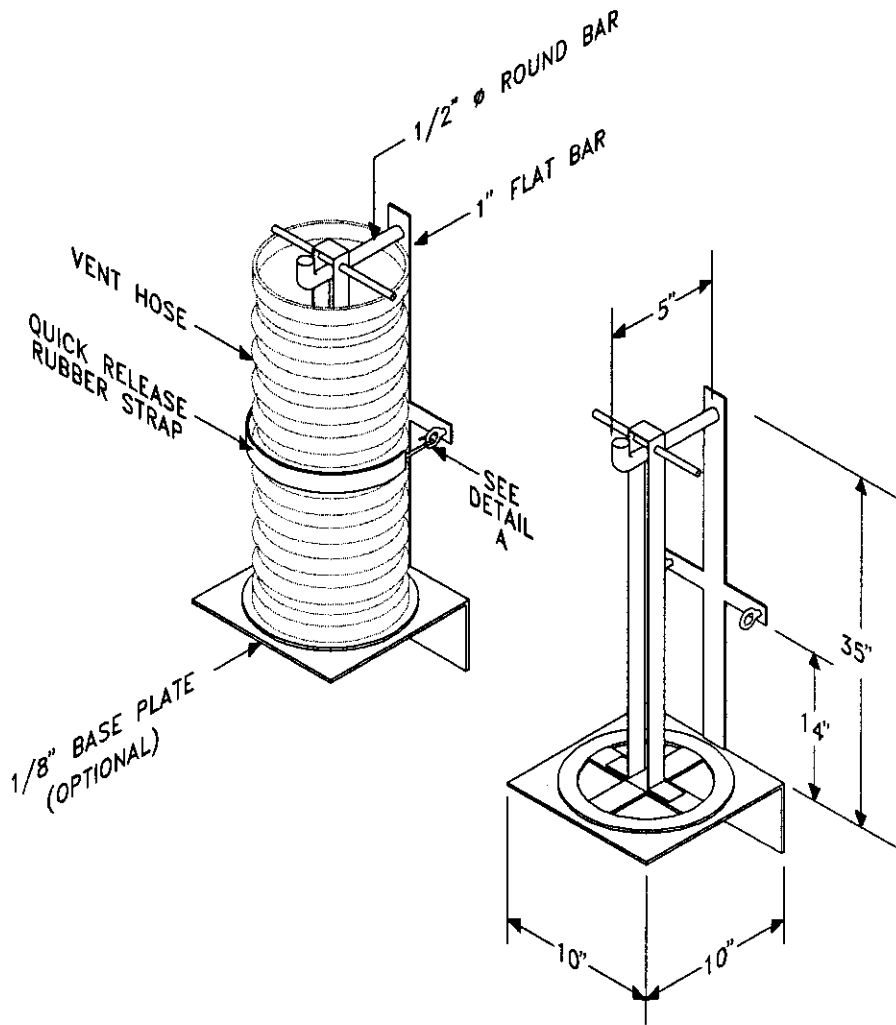


ISOMETRIC VIEW

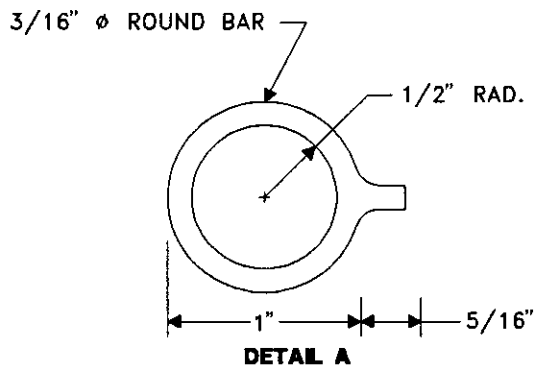


DAMAGE CONTROL EQUIPMENT STOWAGE SKETCH # 094

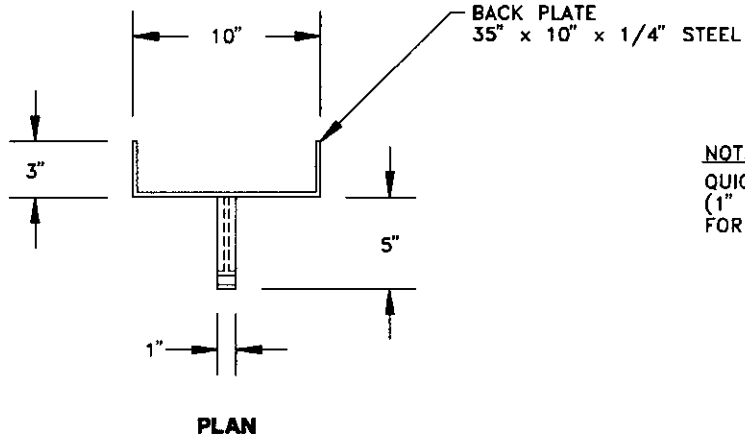
VARI-NOZZEL STOWAGE HOLDER, 1-1/2" AND 2-1/2"



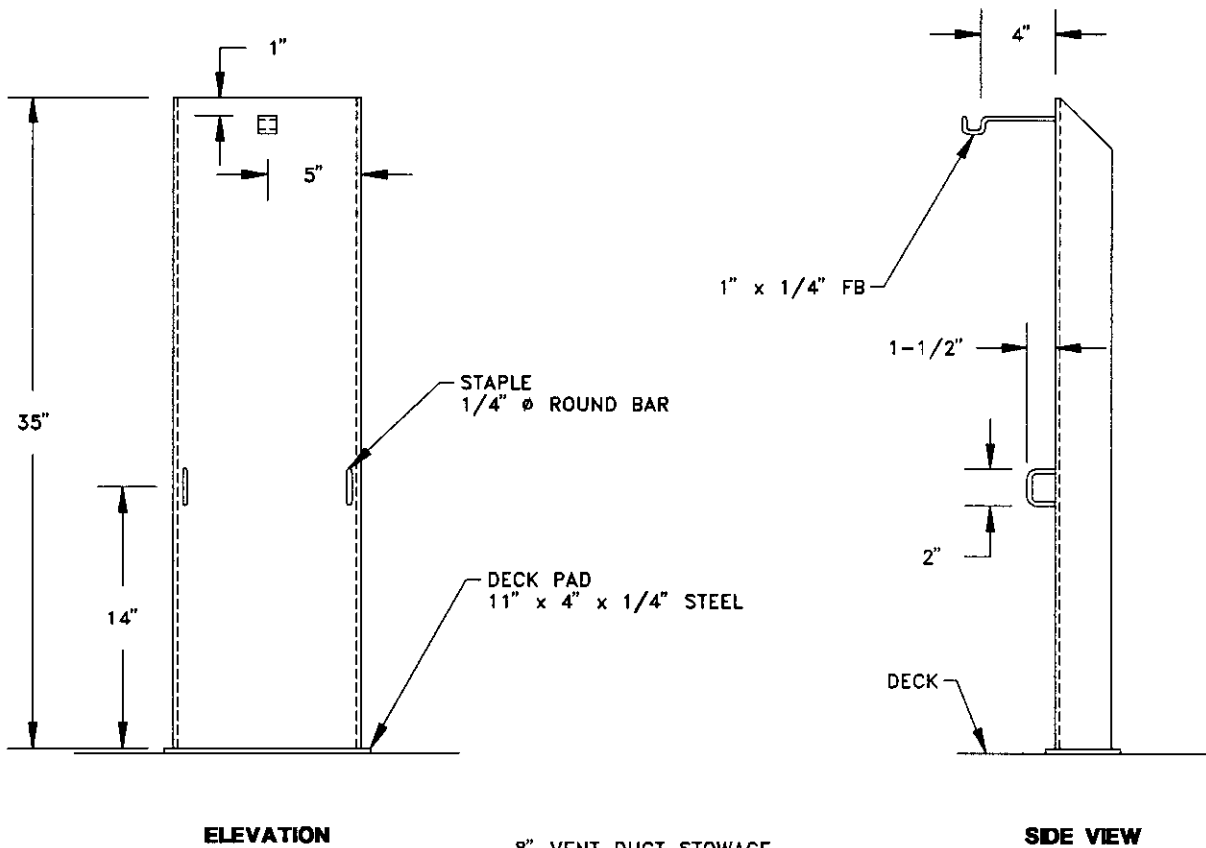
VENT HOSE STOWAGE (BHD MOUNTED)



DAMAGE CONTROL EQUIPMENT STOWAGE SKETCH # 095
VENT HOSE STOWAGE, BHD MOUNTED (VERTICAL)
VERSION 1



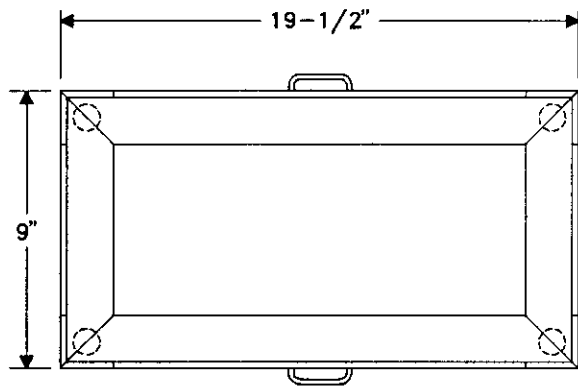
NOTE:
QUICK RELEASE RUBBER STRAP
(1" x 1/4"), IS NOT SHOWN
FOR CLARITY.



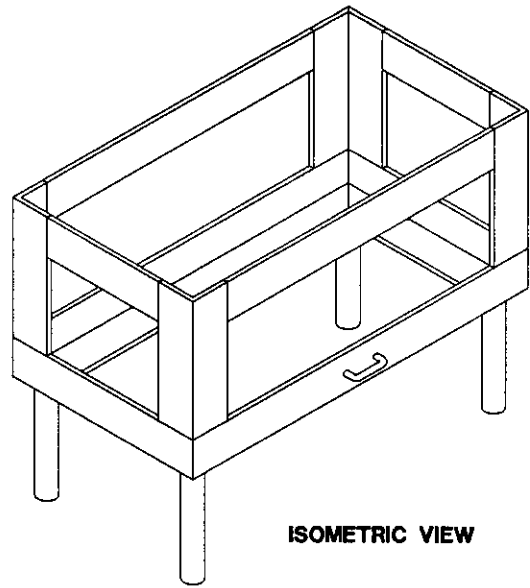
8" VENT DUCT STORAGE
(SINGLE STOWAGE SHOWN)

DOUBLE STOWAGE IS SIMILAR, EXCEPT
2X WIDTH, WITH 2 HOOKS, CENTER GUSSET
AND ONE QUICK RELEASE STRAP

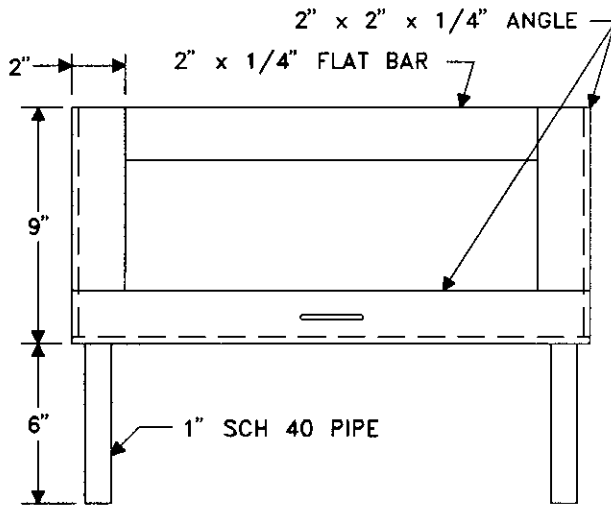
DAMAGE CONTROL EQUIPMENT STOWAGE SKETCH # 096
VENT HOSE STORAGE (VERTICAL)
VERSION 2



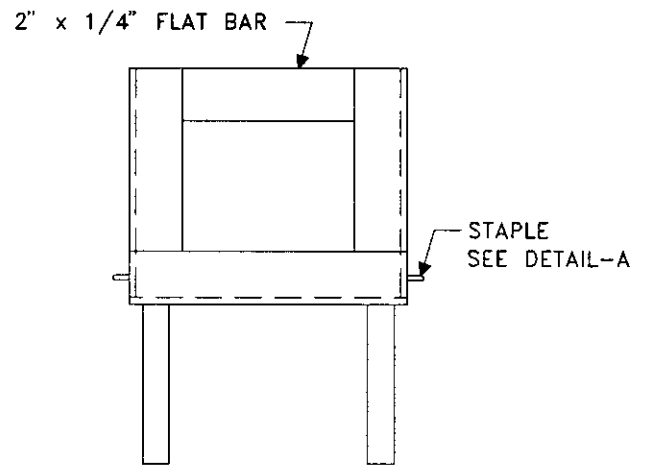
PLAN



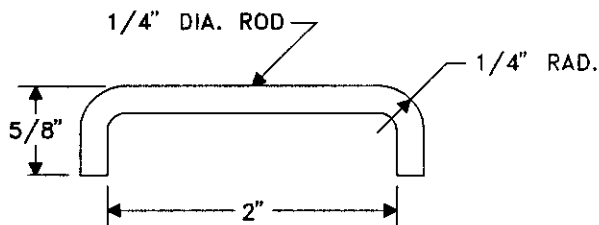
ISOMETRIC VIEW



ELEVATION



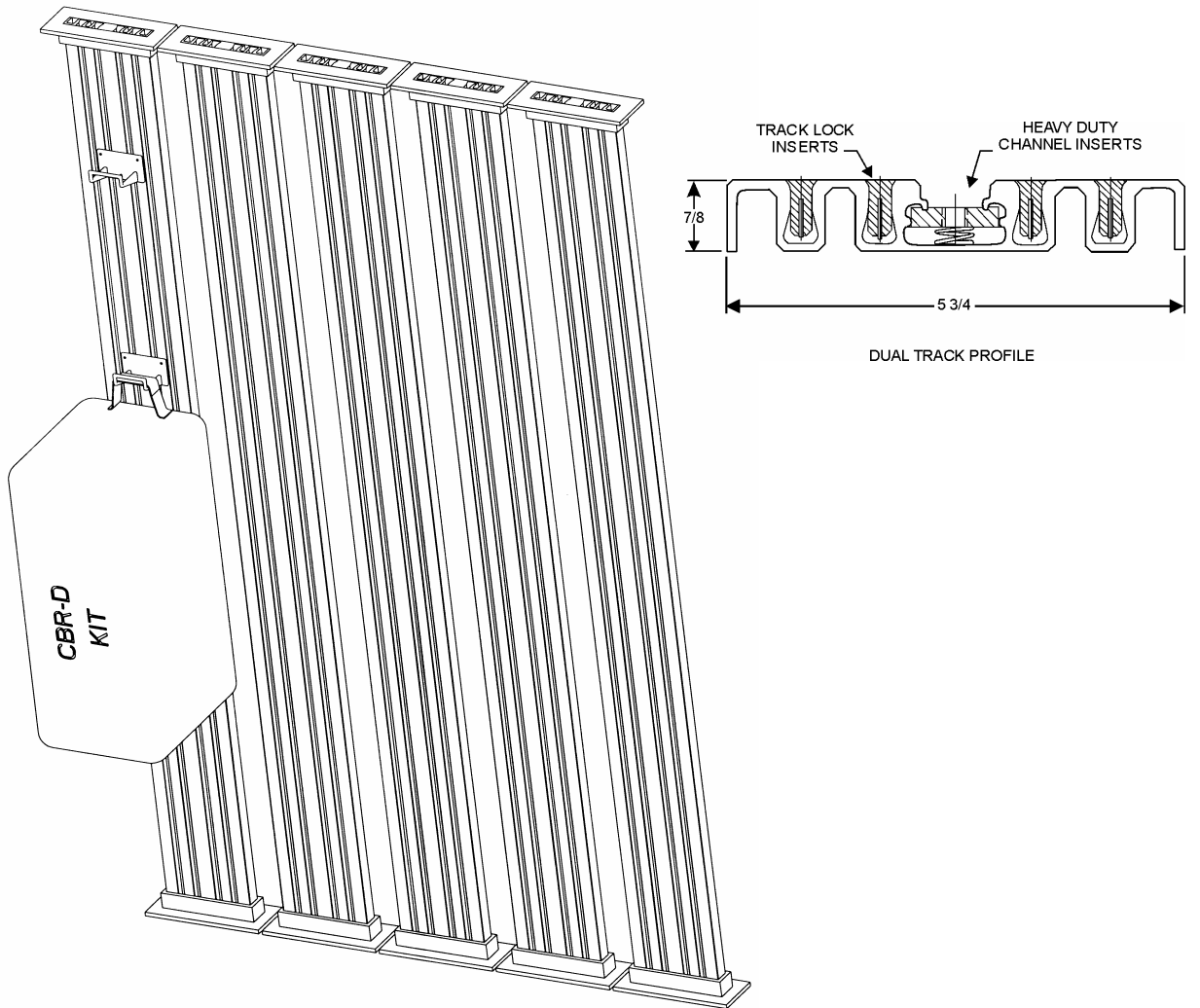
SIDE VIEW



DETAIL A

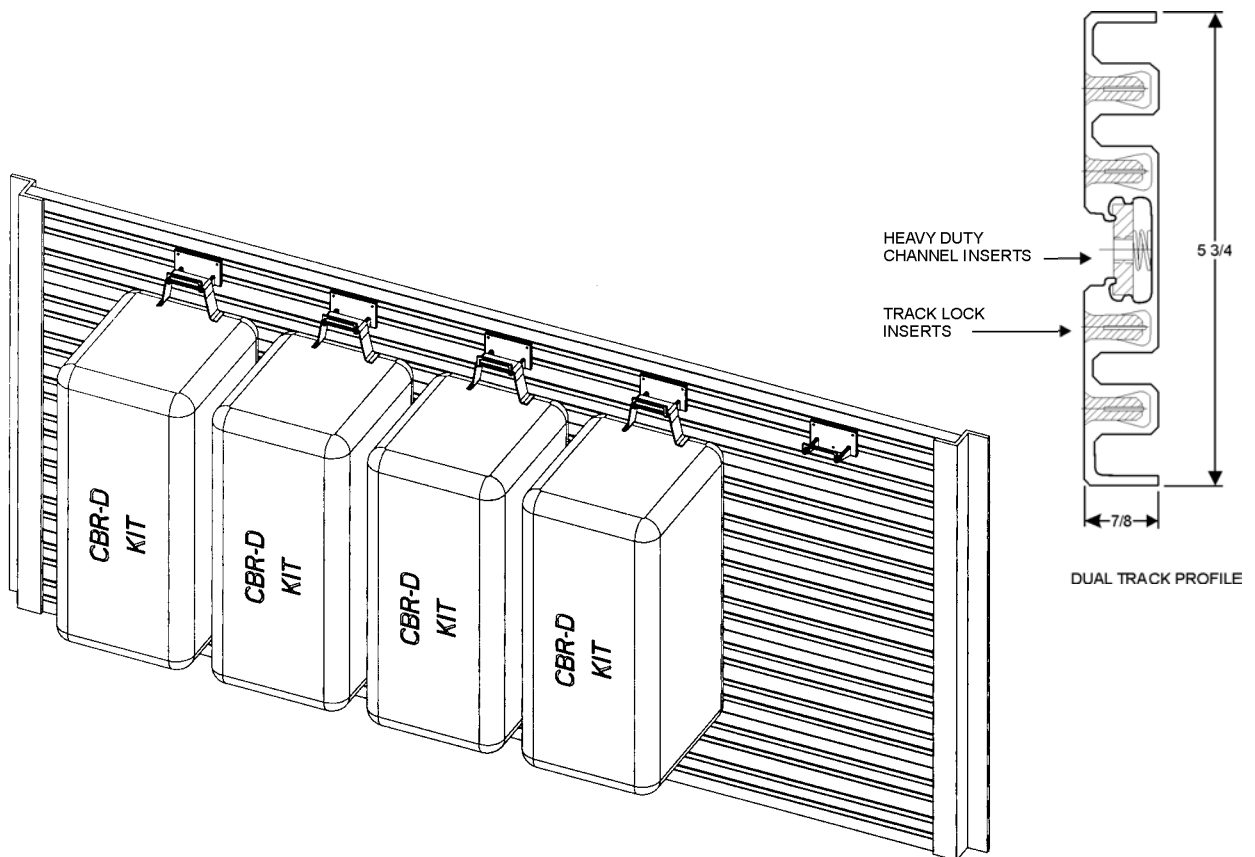
DAMAGE CONTROL EQUIPMENT STOWAGE SKETCH # 097

WELDING MACHINE STOWAGE RACK



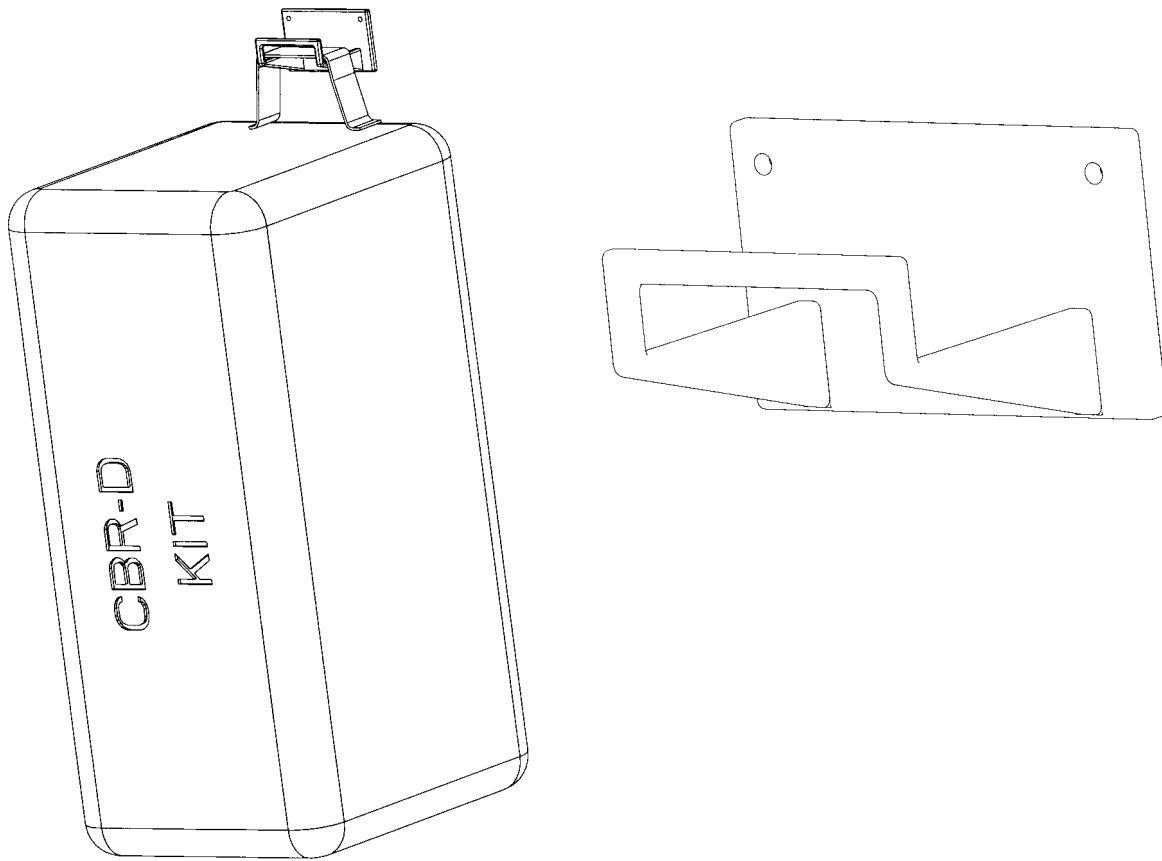
NOTE: 1. TRACK SYSTEM MUST BE EQUAL TO THOSE AVAILABLE FROM:
PERFORMANCE ADVANTAGE COMPANY (PAC)
P.O. BOX 306
LANCASTER, NEW YORK 14086
(716) 683-7413

DAMAGE CONTROL EQUIPMENT STOWAGE SKETCH #098
CBR-D IPE STORAGE RACK
TRACK SYSTEM – VERTICAL MOUNT (DECK TO OVERHEAD)



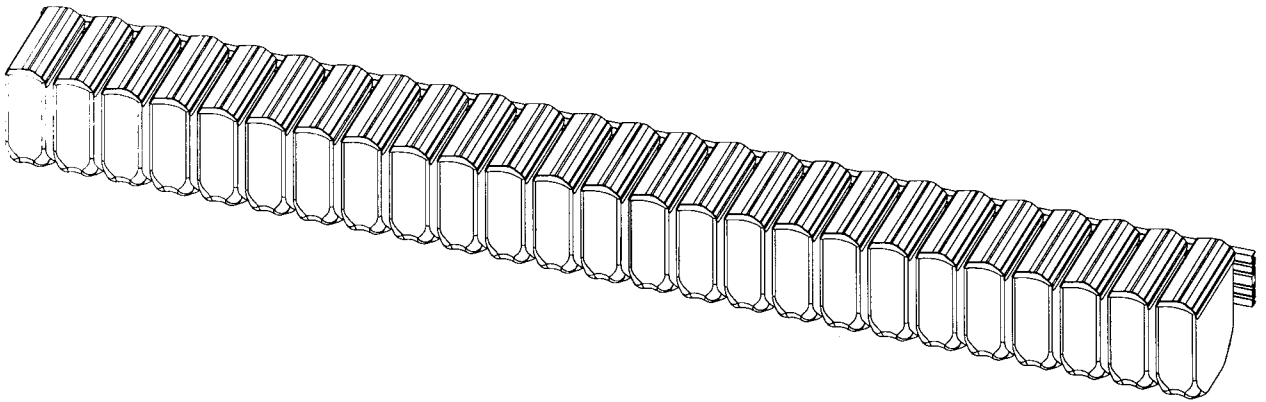
NOTE: 1. TRACK SYSTEM MUST BE EQUAL TO THOSE AVAILABLE FROM:
PERFORMANCE ADVANTAGE COMPANY (PAC)
P.O. BOX 306
LANCASTER, NEW YORK 14086
(716) 683-7413

DAMAGE CONTROL EQUIPMENT STOWAGE SKETCH #099
CBR-D IPE STOWAGE RACK
TRACK SYSTEM – HORIZONTAL MOUNT (BULKHEAD)



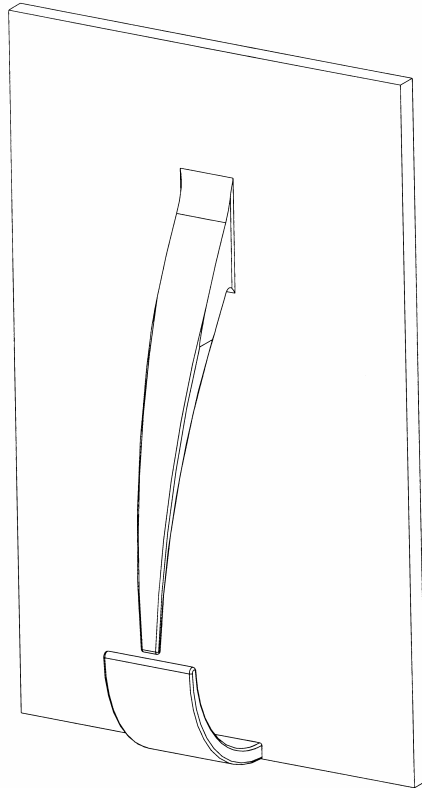
NOTE: 1. HOOK MUST BE EQUAL TO THOSE AVAILABLE FROM:
PERFORMANCE ADVANTAGE COMPANY (PAC)
P.O. BOX 306
LANCASTER, NEW YORK 14086
(716) 683-7413

DAMAGE CONTROL EQUIPMENT STOWAGE SKETCH #100
CBR-D IPE STOWAGE HOOK



- NOTE: 1. TRACK SYSTEM MUST BE EQUAL TO THOSE AVAILABLE FROM:
PERFORMANCE ADVANTAGE COMPANY (PAC)
P.O. BOX 306
LANCASTER, NEW YORK 14086
(716) 683-7413
2. SEE SKETCH #099 FOR TRACK DIMENSIONS.

DAMAGE CONTROL EQUIPMENT STOWAGE SKETCH #101
MCU-2P STOWAGE RACK



NOTE: 1. HOOK MUST BE EQUAL TO THOSE AVAILABLE FROM:
PERFORMANCE ADVANTAGE COMPANY (PAC)
P.O. BOX 306
LANCASTER, NEW YORK 14086
(716) 683-7413

DAMAGE CONTROL EQUIPMENT STOWAGE SKETCH #102
MCU-2P STOWAGE HOOK