

Section 3

PLAN LAYOUT SAMPLE SKETCHES OF DAMAGE CONTROL KITS BY FUNCTION

- **Fire Fighting Dressout**
- **Desmoking**
- **Dewatering**
- **Personnel Protection Equipment Stowage Bag**
- **Portable Hydraulic Access and Rescue System (PHARS)**
- **CBR-D IPE**
- **MCU-2P**

DAMAGE CONTROL EQUIPMENT STOWAGE SKETCHES

SECTION 3 SKETCH NO.	TITLE OF SKETCH
001	Fire Fighter Dress Out Area Plan #1A
002	Fire Fighter Dress Out Area Plan #1B
003	Fire Fighter Dress Out Area Plan #1C
004	Fire Fighter Dress Out Area Plan #1D
005	Fire Fighter Dress Out Area Plan #1E
006	Fire Fighter Dress Out Area Plan #1F
007	Fire Fighter Dress Out Area Plan #1G
008	Fire Fighter Dress Out Area Plan #1H
009	Fire Fighter Dress Out Area Plan #1I
010	Desmoking Equipment Plan #2A
011	Desmoking Equipment Plan #2B
012	Desmoking Equipment Plan #2C
013	Desmoking Equipment Plan #2D
014	Desmoking Equipment Plan #2E
015	Desmoking Equipment Plan #2F
016	Desmoking Equipment Plan #2G
017	Dewatering Equipment Plan P-250 Pump and Accessories Plan #3A
018	Dewatering Equipment Plan P-250 Pump and Accessories Plan #3B
019	Dewatering Equipment Plan P-250 Pump and Accessories Plan #3C
020	Dewatering Equipment Plan #3D
021	Dewatering Equipment Plan #3E
022	Dewatering Equipment Plan #3F
023	Dewatering Equipment Plan #3G
024	Dewatering Equipment Plan #3H
25	Personnel Protection Equipment Stowage Bag
025	Portable Hydraulic Access and Rescue System (PHARS) Plan #1
026	Portable Hydraulic Access and Rescue System (PHARS) Plan #2
027	Portable Hydraulic Access and Rescue System (PHARS) Plan #3
028	Portable Hydraulic Access and Rescue System (PHARS) Plan #3A

SECTION 3 SKETCH NO.	TITLE OF SKETCH
029	CBR-D IPE Stowage Rack System
030	MCU-2P Stowage Plan – Berthing Area
031	MCU-2P Stowage Plan – Workstation
032	MCU-2P Stowage Plan – Bridge Watch Station

(a) 1 PERSONNEL LOCKER, 27" x 21" x 74"

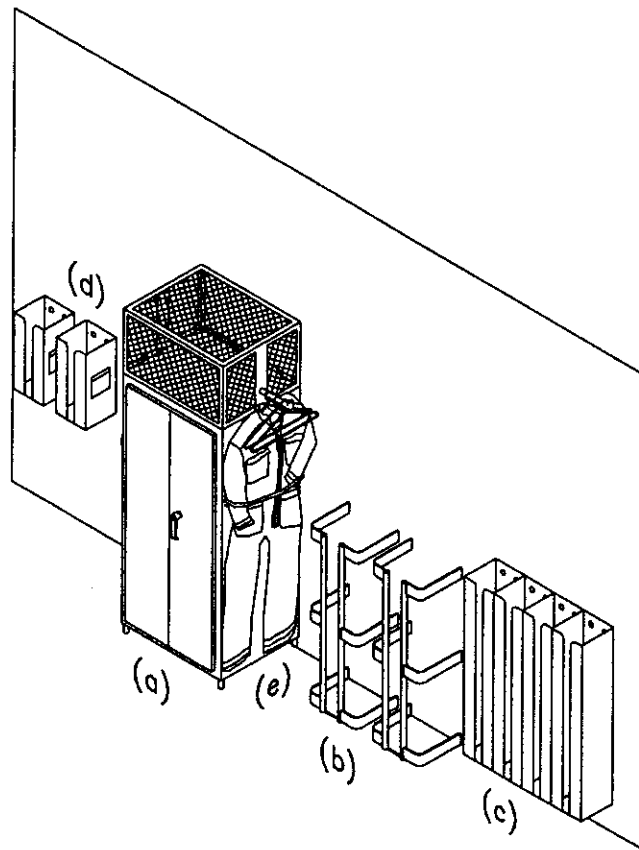
1 BAG, FIREMANS
6 PAIRS BOOTS (SEL SIZE)
6 PAIRS COVERALL (SEL SIZE)
6 OBA CANISTERS (READY SERVICE)
6 PAIRS GLOVES

(b) 2 HELMET RACK, 16" x 13" x 48" (10 PCS)

(c) 4 CANISTER RACK, 8" x 8-1/8" x 42" (36 EACH)

(d) 2 OBA CANISTER, PORTABLE PACK (DC 0004)

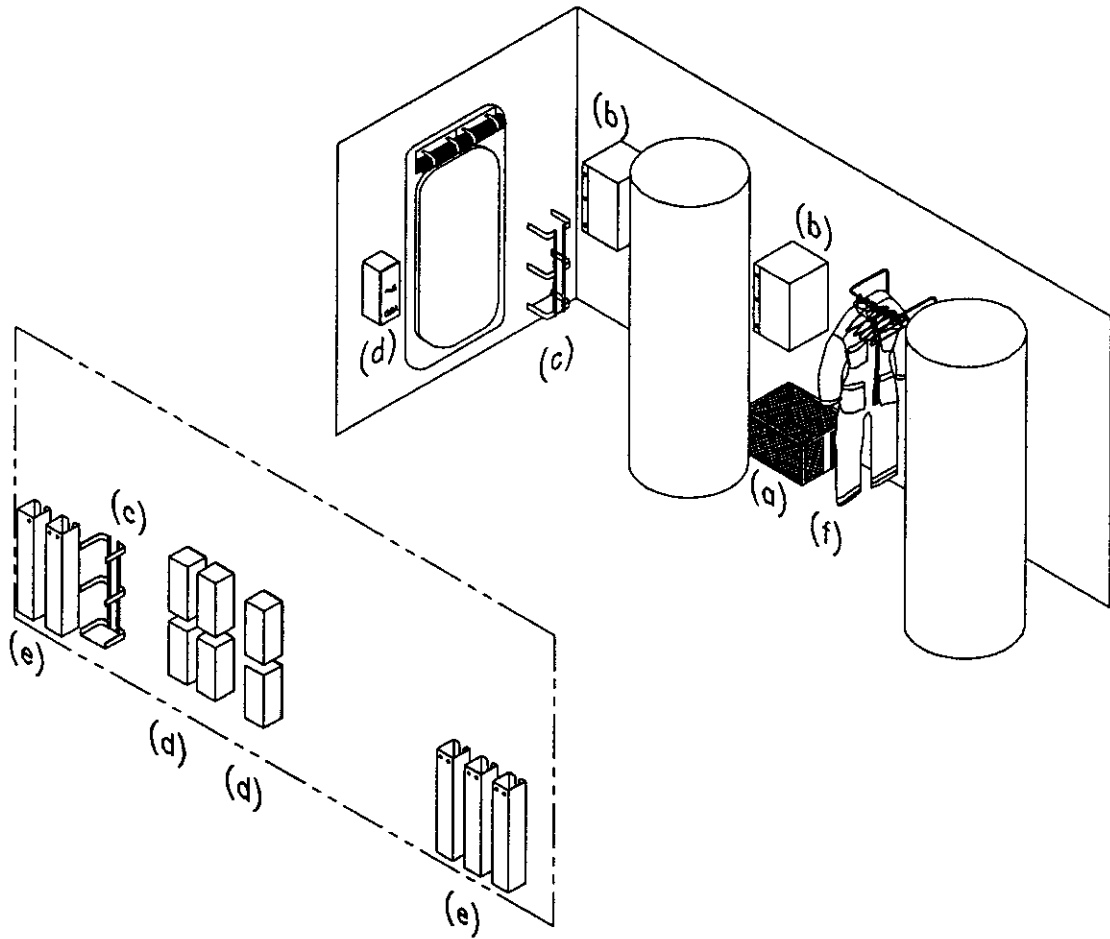
(e) 6 FF COVERALL (ENSEMBLE) (3 HUNG ON EACH SIDE OF LOCKER)



DAMAGE CONTROL EQUIPMENT STOWAGE SKETCH # 001

FIREFIGHTER DRESS OUT AREA PLAN # 1A

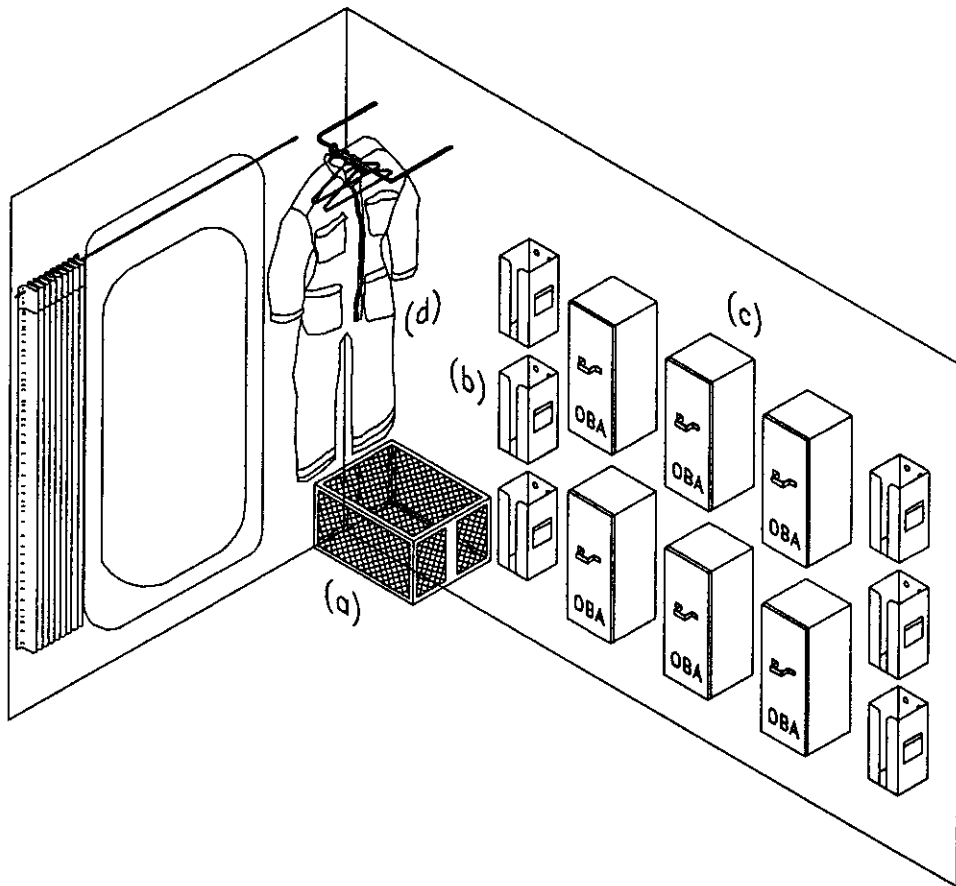
- (a) BOOTS LOCKER
- (b) ABT
- (c) HELMET RACK, 16" x 13" x 48" (10 PCS)
- (d) OBA LOCKER
- (e) OBA CANISTER, PORTABLE PACK (6 CANISTER)
- (f) 6 ENSEMBLES



DAMAGE CONTROL EQUIPMENT STOWAGE SKETCH # 002

FIREFIGHTER DRESS OUT AREA PLAN #1B

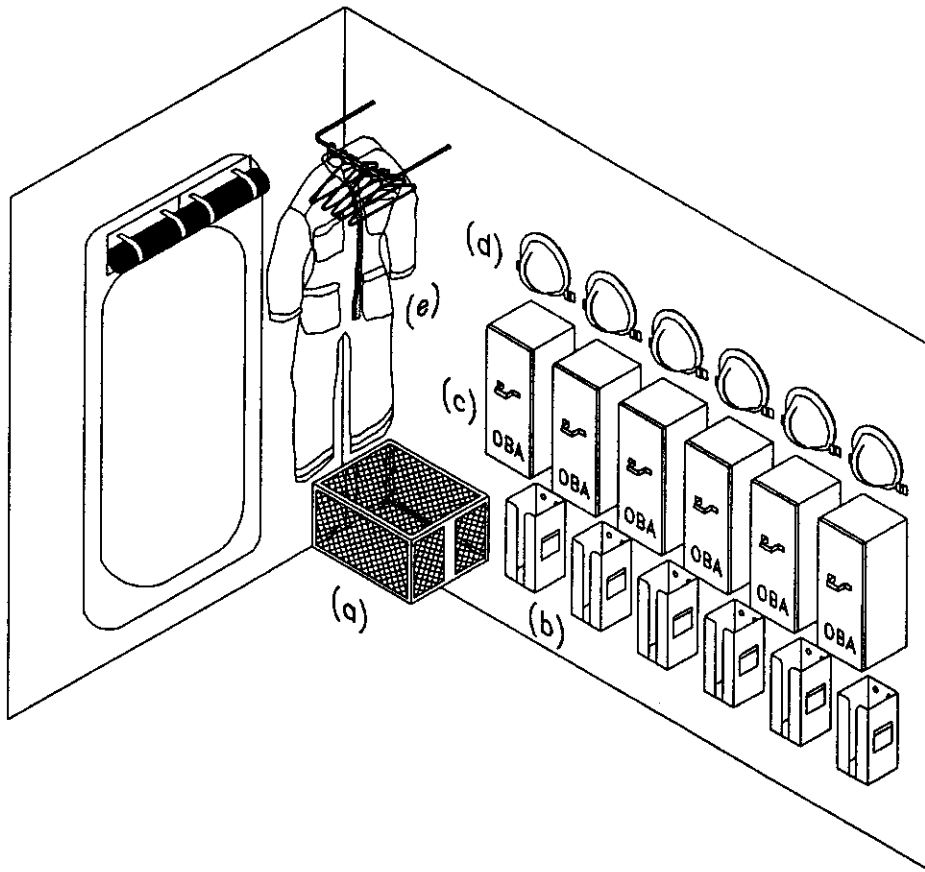
- (a) 1 BOOTS LOCKER
- (b) 6 CANISTER RACKS, (6 PACK)
- (c) 6 OBA LOCKER
- (d) 3 ENSEMBLES



DAMAGE CONTROL EQUIPMENT STOWAGE SKETCH # 003

FIREFIGHTER DRESS OUT AREA PLAN #1C

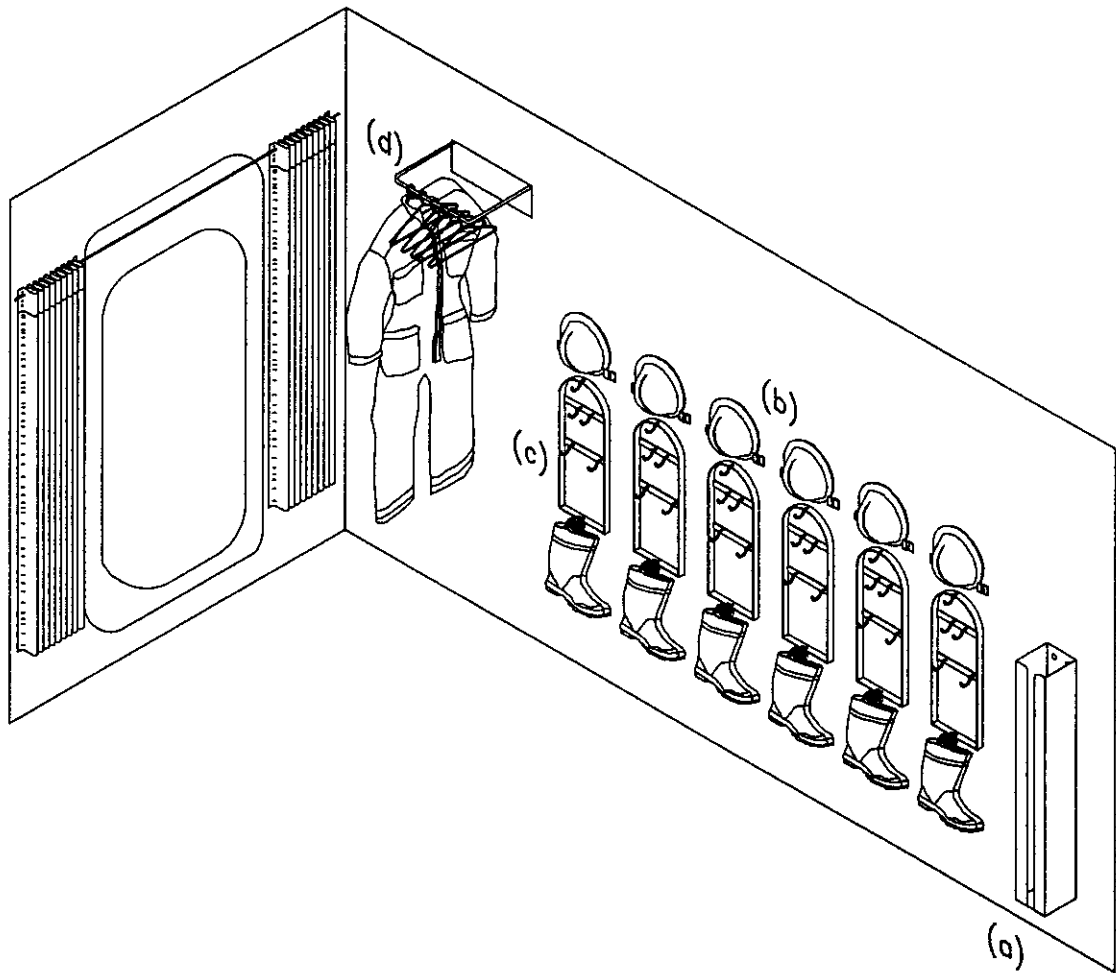
- (a) 1 BOOTS LOCKER
- (b) 6 CANISTER RACKS, (6 PACK)
- (c) 6 OBA LOCKER
- (d) 6 HELMETS
- (e) 6 ENSEMBLES



DAMAGE CONTROL EQUIPMENT STOWAGE SKETCH # 004

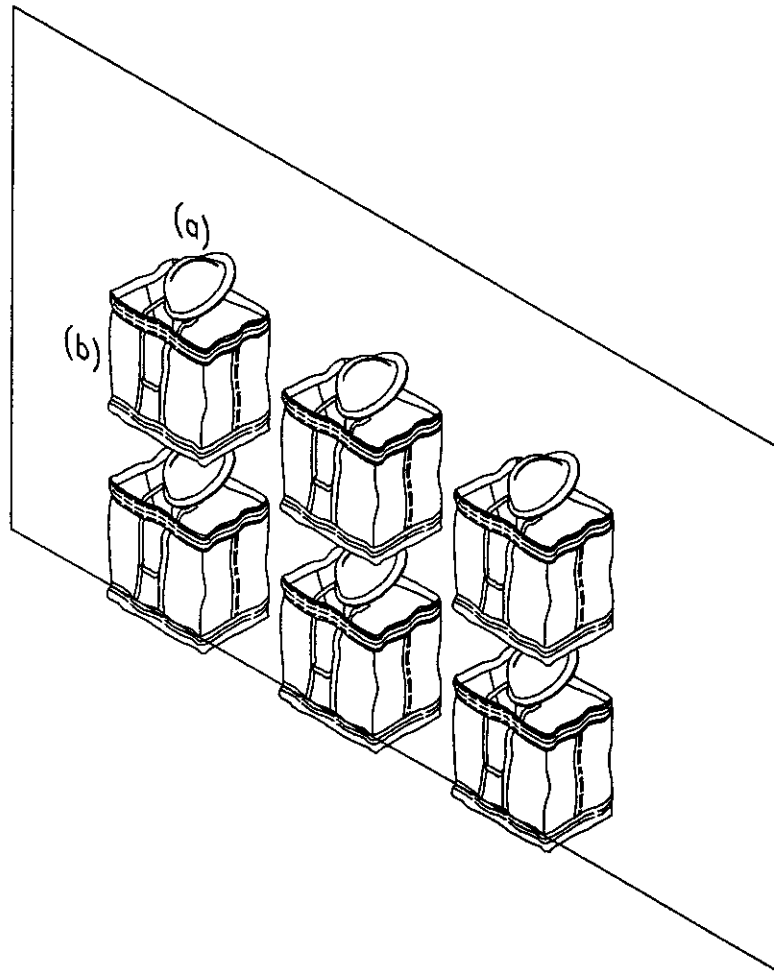
FIREFIGHTER DRESS OUT AREA PLAN #1D

- (a) 1 CANISTER RACK, 8" x 8-1/8" x 42" (36 EACH)
- (b) 6 HELMET
- (c) 6 OBA RACKS WITH BOOTS
- (d) 6 ENSEMBLES



DAMAGE CONTROL EQUIPMENT STOWAGE SKETCH # 005
FIREFIGHTER DRESS OUT AREA PLAN #1E

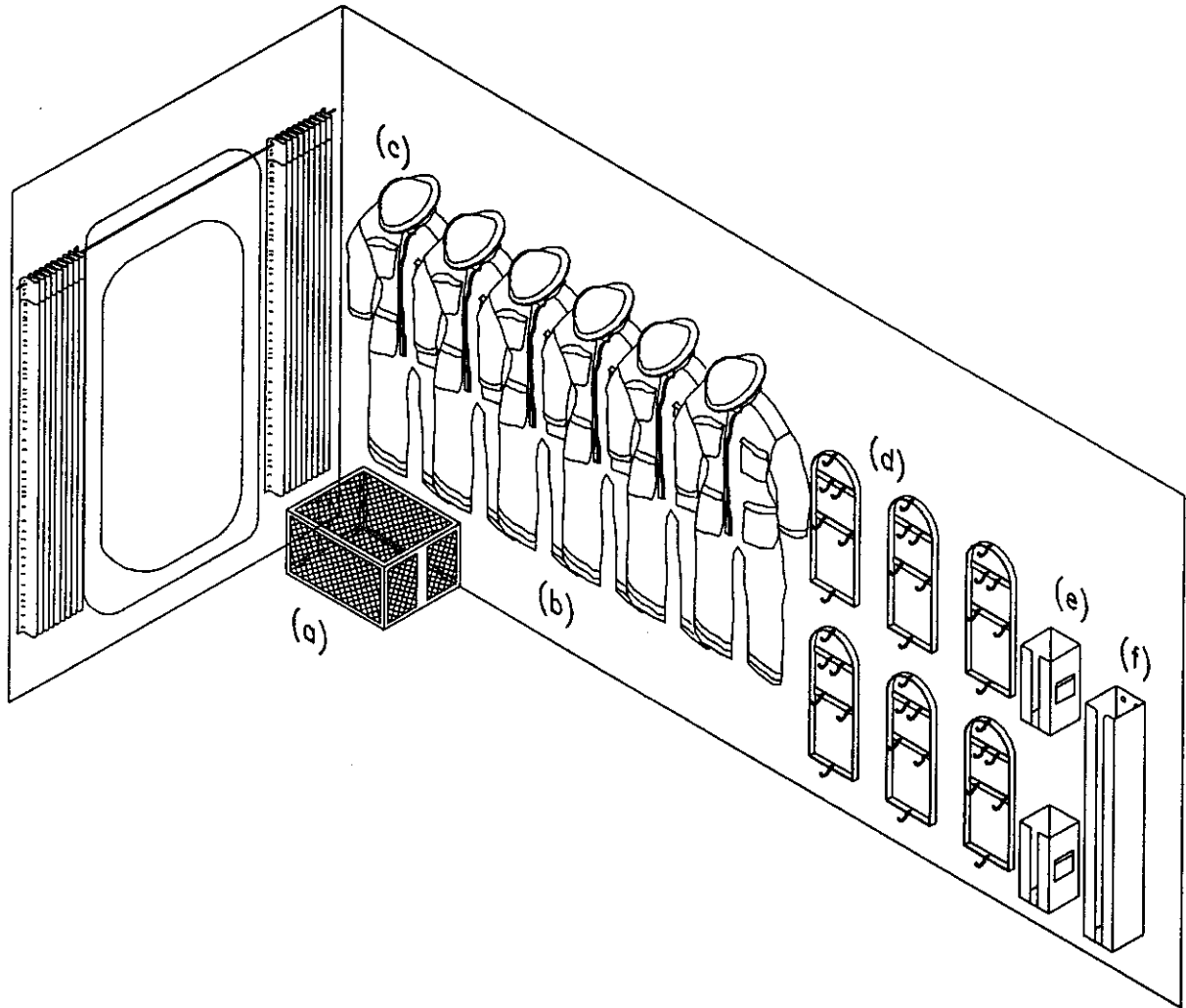
- (a) 6 HELMET
- (b) 6 FIREMAN'S BAG
- 6 PAIRS BOOTS
- 6 PAIRS GLOVES
- 6 OBA
- 6 FF COVERALL



DAMAGE CONTROL EQUIPMENT STOWAGE SKETCH # 006

FIREFIGHTER DRESS OUT AREA #1F

- (a) 1 BOOTS LOCKER (6 PAIRS)
- (b) 6 ENSEMBLES (SEL SIZE)
- (c) 6 HELMETS
- (d) 6 OBA RACK
- (e) 2 CANISTER RACKS (6 PACK) (DC 0004)
- (f) 1 CANISTER RACK, 8" x 8-1/8" x 42" (36 CANS)



DAMAGE CONTROL EQUIPMENT STOWAGE SKETCH # 007

FIREFIGHTER DRESS OUT AREA PLAN #1G

(a) 1 PERSONNEL LOCKER, 27" x 21" x 74"

1 BAG, FIREMANS
6 PAIRS BOOTS (SEL SIZE)
6 PAIRS COVERALL (SEL SIZE)
6 OBA CANISTERS (READY SERVICE)
6 PAIRS GLOVES

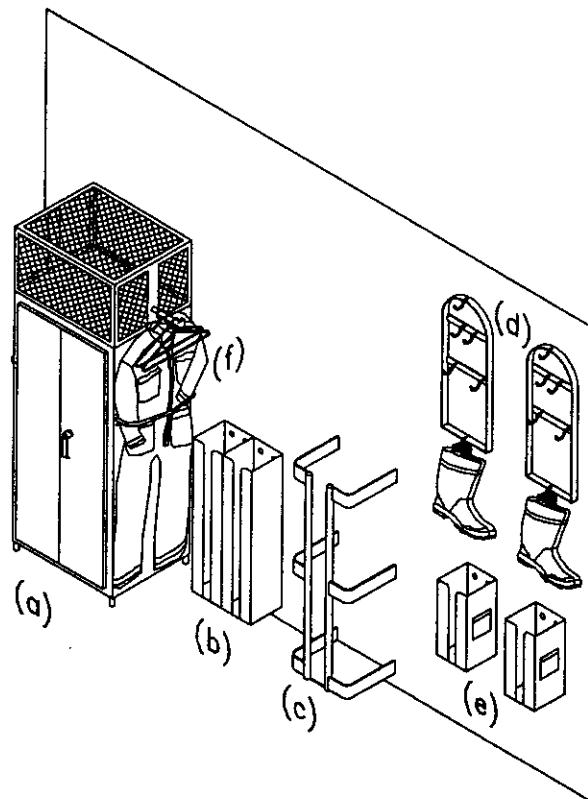
(b) 2 CANISTER RACK, 8" x 8-1/8" x 36" (36 EACH)

(c) 1 HELMET RACK, 16" x 13" x 48" (10 PCS)

(d) 2 OBA RACKS ("INVESTIGATOR")

(e) 2 OBA CANISTER, PORTABLE PACK (DC 0004)

(f) 6 ENSEMBLES (3 HUNG ON EACH SIDE OF LOCKER)



DAMAGE CONTROL EQUIPMENT STOWAGE SKETCH # 008

FIREFIGHTER DRESS OUT AREA PLAN #1H

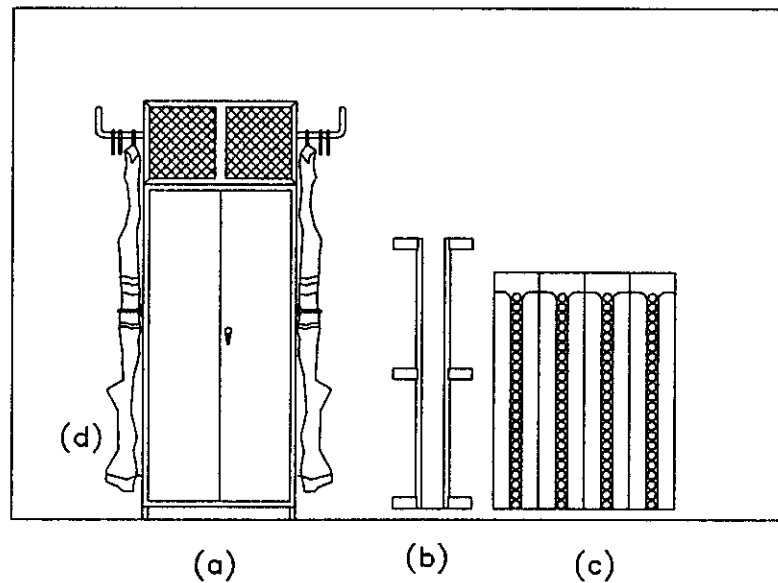
(a) 1 PERSONNEL LOCKER, 27" x 21" x 74"

1 BAG, FIREMANS
6 PAIRS BOOTS (SEL SIZE)
6 PAIRS COVERALL (SEL SIZE)
6 OBA CANISTERS (READY SERVICE)
6 PAIRS GLOVES

(b) 2 HELMET RACK, 16" x 13" x 48" (10 PCS)

(c) 4 CANISTER RACK, 8" x 8-1/8" x 42" (36 EACH)

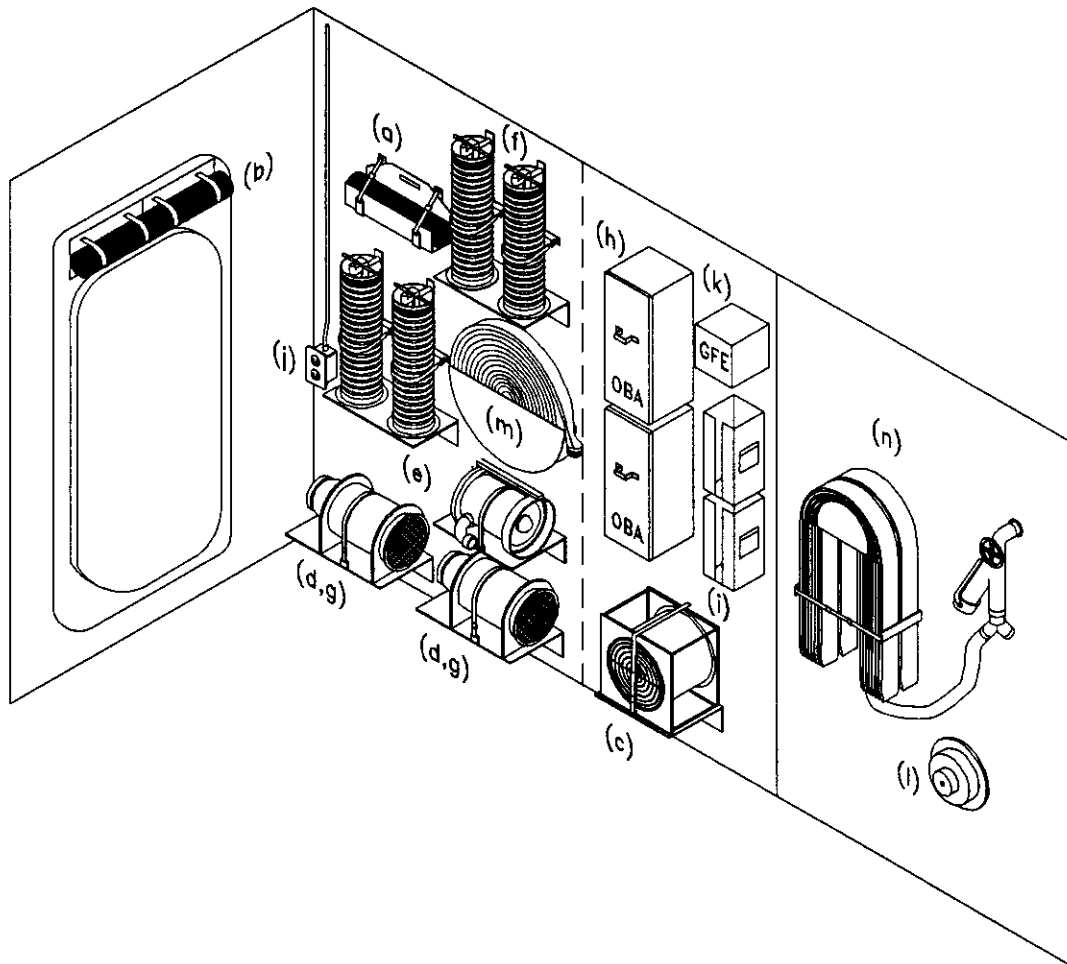
(d) 6 FF COVERALL (ENSEMBLE) (3 HUNG ON EACH SIDE OF LOCKER)



DAMAGE CONTROL EQUIPMENT STOWAGE SKETCH # 009

FIREFIGHTER DRESS OUT AREA PLAN #11

- (a) 1 RACK - SMOKE CURTAIN
- (b) 2 SMOKE CURTAINS PRE-HANG
- (c) 1 FAN TUBEAXIAL 5200 CPM
- (d) 2 FAN VANEAXIAL (RED DEVIL)
- (e) 1 RAM FAN, WATER DRIVEN
- (f) 4 HOSE AIRDUCT
- (g) 2 CABLE ASSEMBLY 25 Ft (STOWED, 1 EACH RED DEVIL)
- (h) 2 OBA LOCKERS
- (i) 2 CANISTER RACKS (6 PACK)
- (j) 1 ELECTRICAL CONNECTION OUTLET
- (k) 1 GAS FREE ENGINEERS EQUIPMENT STOWAGE
- (l) 1 OVERBOARD DISCHARGE
- (m) 1 HOSE ASSEMBLY, 1-1/2" x 50'
- (n) 2 HOSE ASSEMBLY, 2-1/2" x 1-1/2"



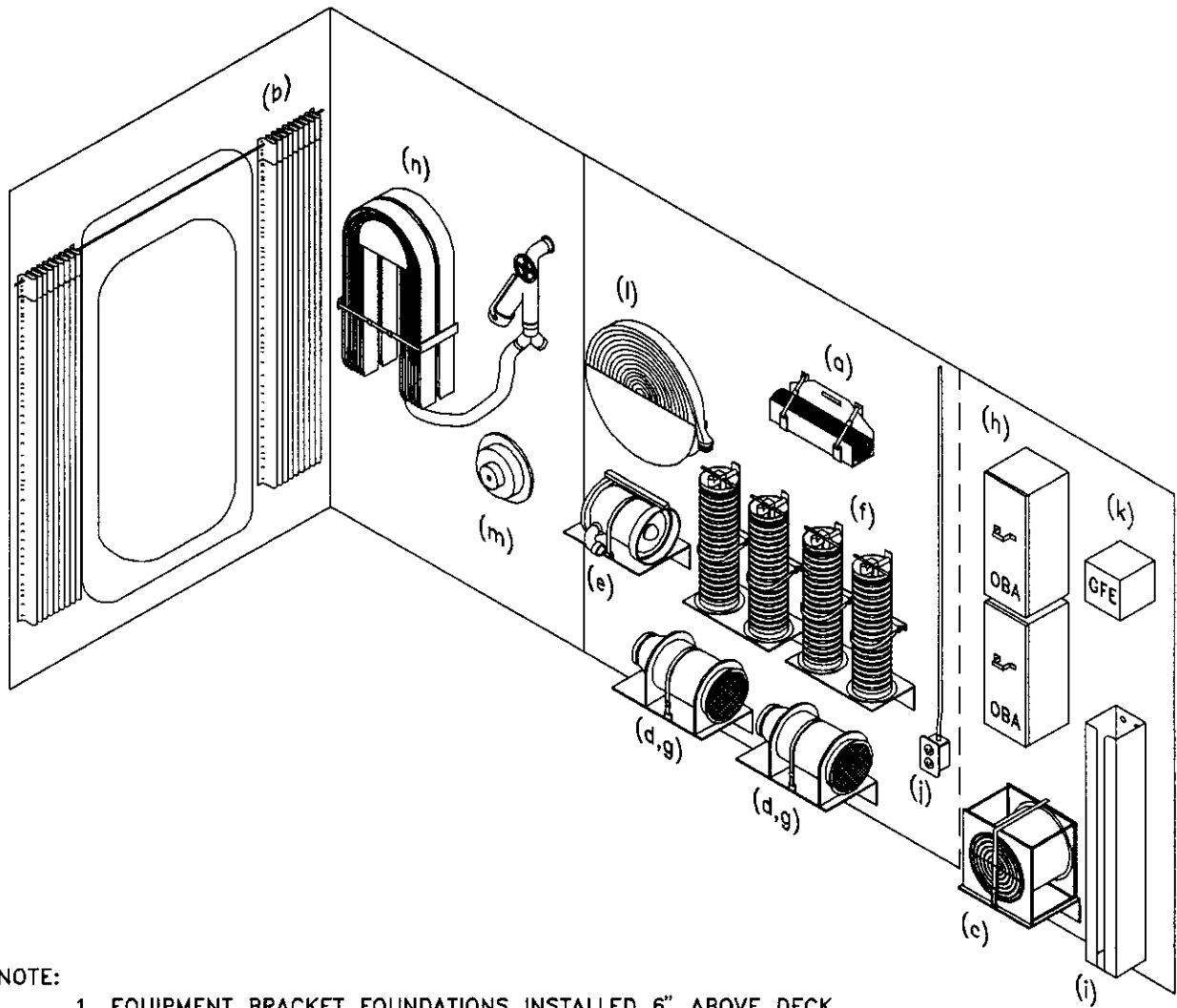
NOTE:

1. EQUIPMENT BRACKET FOUNDATIONS INSTALLED 6" ABOVE DECK.
2. HORIZONTAL DISTANCE BETWEEN EQUIPMENT APPROX. 4".
3. VERTICAL DISTANCE BETWEEN EQUIPMENT APPROX. 2".
4. TOTAL SPACE REQUIREMENTS - 72"W x 80"H x 20"D.

DAMAGE CONTROL EQUIPMENT STOWAGE SKETCH # 010

DESMOKING EQUIPMENT PLAN #2A

- (a) 1 RACK - SMOKE CURTAIN
- (b) 2 SMOKE CURTAINS PRE-HANG
- (c) 1 FAN TUBEAXIAL 5200 CPFM
- (d) 2 FAN VANEAXIAL (RED DEVIL)
- (e) 1 RAM FAN, WATER DRIVEN
- (f) 4 HOSE AIRDUCT
- (g) 2 CABLE ASSEMBLY 25 Ft (STOWED, 1 EACH RED DEVIL)
- (h) 2 OBA LOCKERS
- (i) 1 CANISTER RACK
- (j) 1 ELECTRICAL CONNECTION OUTLET
- (k) 1 GAS FREE ENGINEERS EQUIPMENT STOWAGE
- (l) 1 HOSE ASSEMBLY, 1-1/2" x 50'
- (m) 1 OVERBOARD DISCHARGE
- (n) 2 HOSE ASSEMBLY, 2-1/2" x 50'

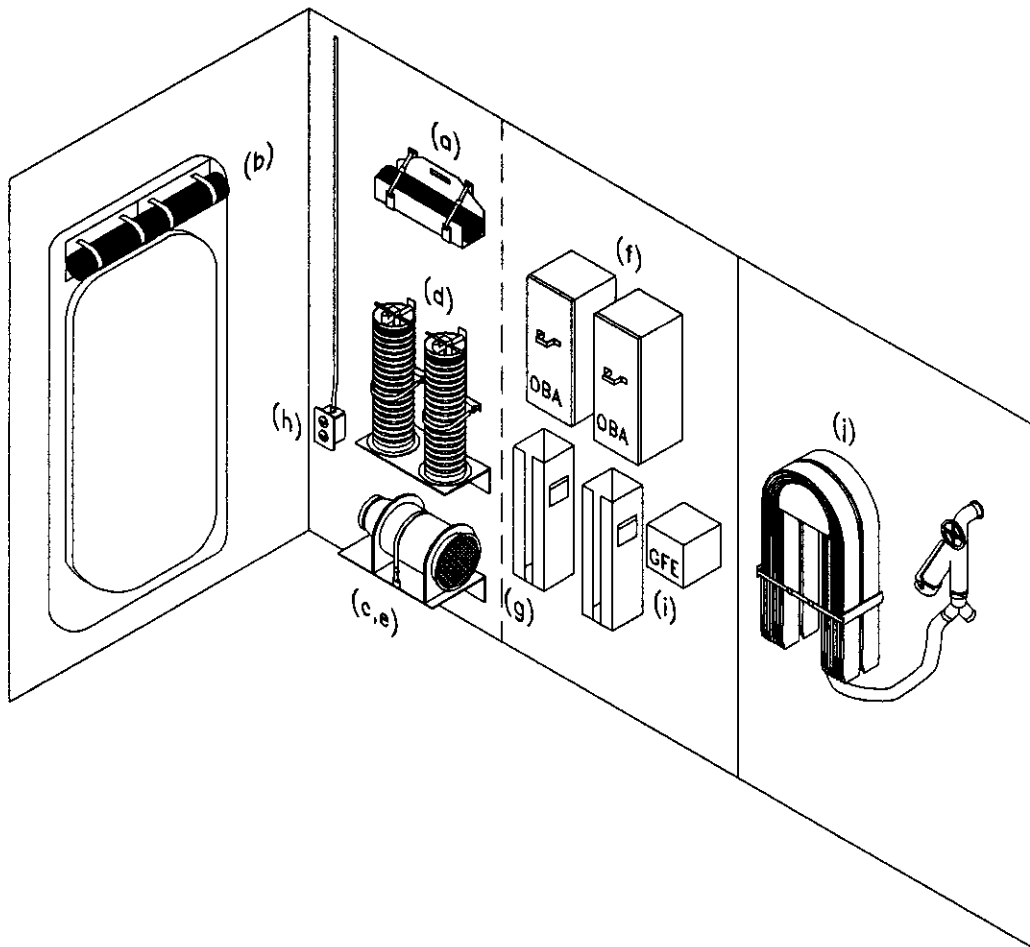


- NOTE:
1. EQUIPMENT BRACKET FOUNDATIONS INSTALLED 6" ABOVE DECK.
 2. HORIZONTAL DISTANCE BETWEEN EQUIPMENT APPROX. 4".
 3. VERTICAL DISTANCE BETWEEN EQUIPMENT APPROX. 2".
 4. TOTAL SPACE REQUIREMENTS - 72"W x 80"H x 20"D.

DAMAGE CONTROL EQUIPMENT STOWAGE SKETCH # 011

DESMOKING EQUIPMENT PLAN #2B

- (a) 1 RACK - SMOKE CURTAIN
- (b) 2 SMOKE CURTAINS PRE-HANG
- (c) 1 FAN VANEAXIAL (RED DEVIL)
- (d) 2 HOSE AIRDUCT
- (e) 1 CABLE ASSEMBLY 25 Ft (STOWED, 1 EACH RED DEVIL)
- (f) 2 OBA LOCKERS
- (g) 2 CANISTER RACKS (6 PACK)
- (h) 1 ELECTRICAL CONNECTION OUTLET
- (i) 1 GAS FREE ENGINEERS EQUIPMENT STOWAGE
- (j) 2 HOSE ASSEMBLY, 2-1/2" x 50'



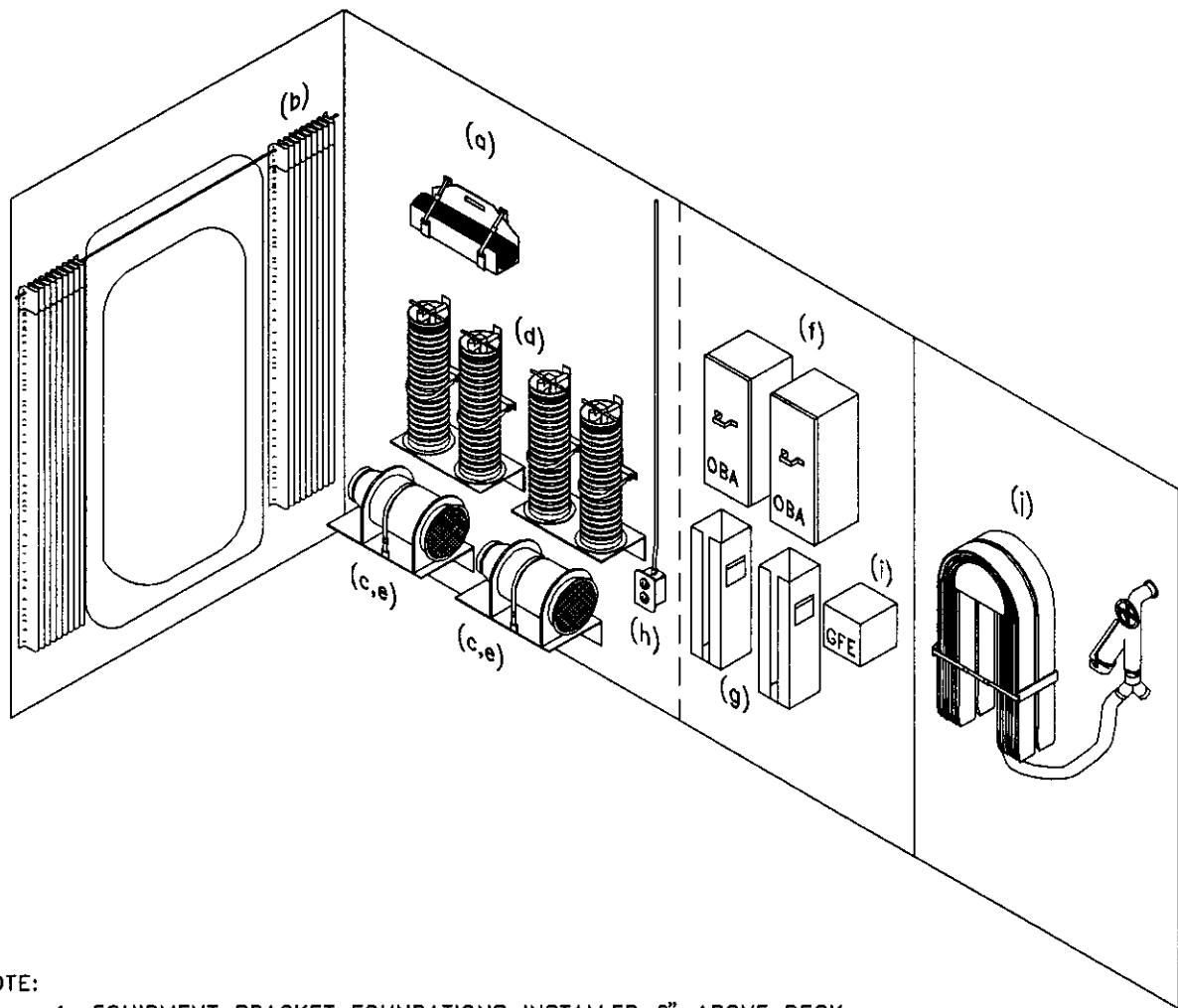
NOTE:

1. EQUIPMENT BRACKET FOUNDATIONS INSTALLED 6" ABOVE DECK.
2. HORIZONTAL DISTANCE BETWEEN EQUIPMENT APPROX. 4".
3. VERTICAL DISTANCE BETWEEN EQUIPMENT APPROX. 2".
4. TOTAL SPACE REQUIREMENTS - 60"W x 80"H x 20"D.

DAMAGE CONTROL EQUIPMENT STOWAGE SKETCH # 012

DESMOKING EQUIPMENT PLAN #2C

- (a) 1 RACK - SMOKE CURTAIN
- (b) 2 SMOKE CURTAINS PRE-HANG
- (c) 2 FAN VANEAXIAL (RED DEVIL)
- (d) 4 HOSE AIRDUCT
- (e) 1 CABLE ASSEMBLY 25 Ft (STOWED ON RED DEVIL)
- (f) 2 OBA LOCKERS
- (g) 2 CANISTER RACKS (6 PACK)
- (h) 1 ELECTRICAL CONNECTION OUTLET
- (i) 1 GAS FREE ENGINEERS EQUIPMENT STOWAGE
- (j) 2 HOSE ASSEMBLY, 2-1/2" x 50'



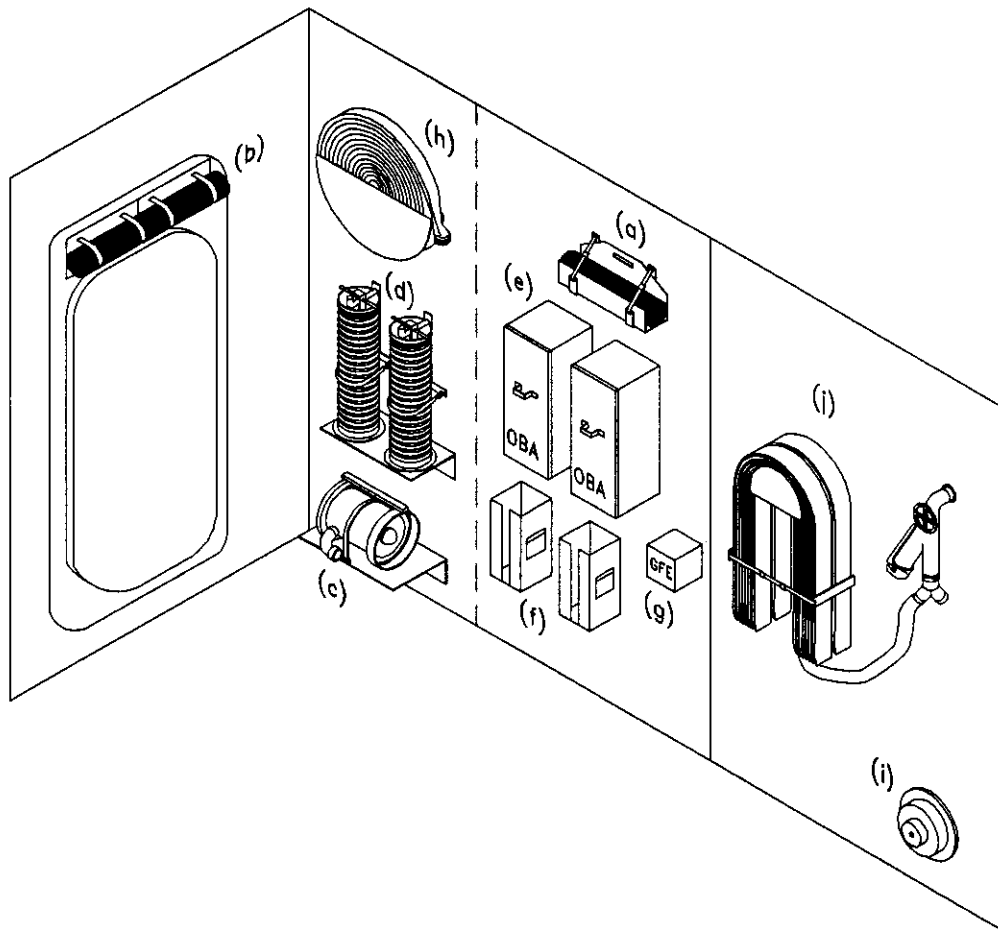
NOTE:

1. EQUIPMENT BRACKET FOUNDATIONS INSTALLED 6" ABOVE DECK.
2. HORIZONTAL DISTANCE BETWEEN EQUIPMENT APPROX. 4".
3. VERTICAL DISTANCE BETWEEN EQUIPMENT APPROX. 2".
4. TOTAL SPACE REQUIREMENTS - 60"W x 80"H x 20"D.

DAMAGE CONTROL EQUIPMENT STOWAGE SKETCH # 013

DESMOKING EQUIPMENT PLAN #2D

- (a) 1 RACK - SMOKE CURTAIN
- (b) 2 SMOKE CURTAINS PRE-HANG
- (c) 1 RAM FAN - WATER DRIVEN
- (d) 2 HOSE AIRDUCT
- (e) 2 OBA LOCKERS
- (f) 2 CANISTER RACKS (6 PACK)
- (g) 1 GAS FREE ENGINEERS STOWAGE
- (h) 2 HOSE ASSEMBLY, 1-1/2" x 50'
- (i) 1 OVERBOARD DISCHARGE
- (j) 2 HOSE ASSEMBLY, 2-1/2" x 50'



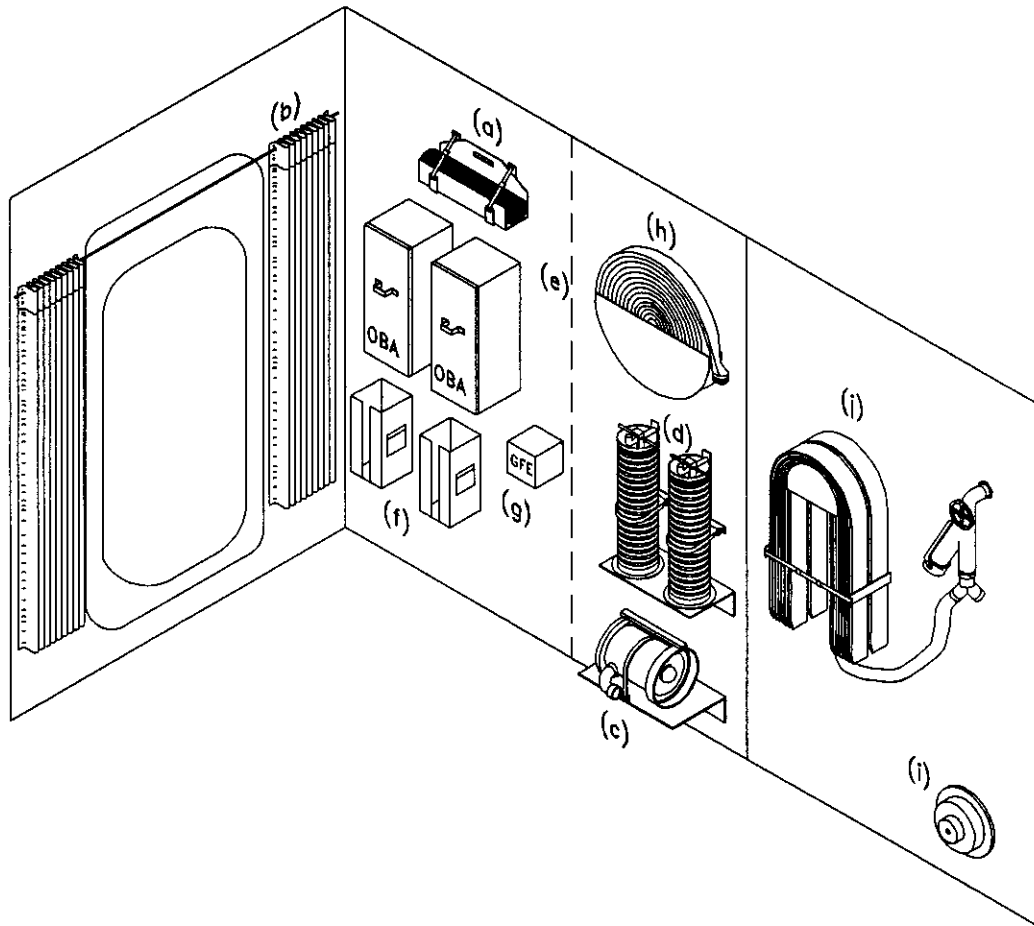
NOTE:

1. EQUIPMENT BRACKET FOUNDATIONS INSTALLED 6" ABOVE DECK.
2. HORIZONTAL DISTANCE BETWEEN EQUIPMENT APPROX. 4".
3. VERTICAL DISTANCE BETWEEN EQUIPMENT APPROX. 2".
4. TOTAL SPACE REQUIREMENTS - 60"W x 80"H x 20"D.

DAMAGE CONTROL EQUIPMENT STOWAGE SKETCH # 014

DESMOKING EQUIPMENT PLAN #2E

- (a) 1 RACK - SMOKE CURTAIN
- (b) 2 SMOKE CURTAINS PRE-HANG
- (c) 1 RAM FAN - WATER DRIVEN
- (d) 2 HOSE AIRDUCT
- (e) 2 OBA LOCKERS
- (f) 2 CANISTER RACKS (6 PACK)
- (g) 1 GAS FREE ENGINEERS STOWAGE
- (h) 2 HOSE ASSEMBLY, 1-1/2" x 50'
- (i) 1 OVERBOARD DISCHARGE
- (j) 2 HOSE ASSEMBLY, 2-1/2" x 50'



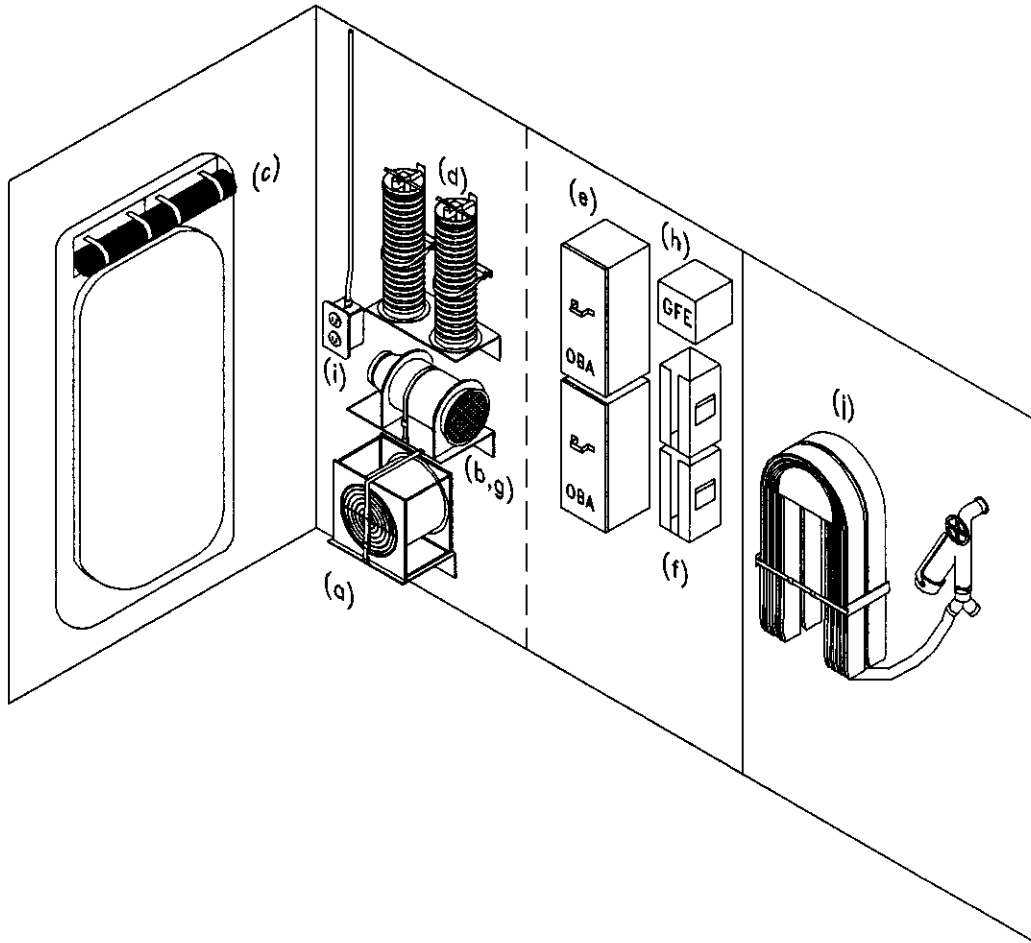
NOTE:

1. EQUIPMENT BRACKET FOUNDATIONS INSTALLED 6" ABOVE DECK.
2. HORIZONTAL DISTANCE BETWEEN EQUIPMENT APPROX. 4".
3. VERTICAL DISTANCE BETWEEN EQUIPMENT APPROX. 2".
4. TOTAL SPACE REQUIREMENTS - 60"W x 80"H x 20"D.

DAMAGE CONTROL EQUIPMENT STOWAGE SKETCH # 015

DESMOKING EQUIPMENT PLAN #2F

- (a) 1 FAN TUBEAXIAL 5200 CPFM
- (b) 1 FAN VANEAXIAL (RED DEVIL)
- (c) 2 SMOKE CURTAINS PRE-HANG
- (d) 2 HOSE AIRDUCT
- (e) 2 OBA LOCKERS
- (f) 2 CANISTER RACKS (6 PACK)
- (g) 1 CABLE ASSEMBLY 25 Ft
- (h) 1 GAS FREE ENGINEERS EQUIPMENT STOWAGE
- (i) 1 ELECTRICAL CONNECTION OUTLET
- (j) 2 HOSE ASSEMBLY, 2-1/2" x 50'



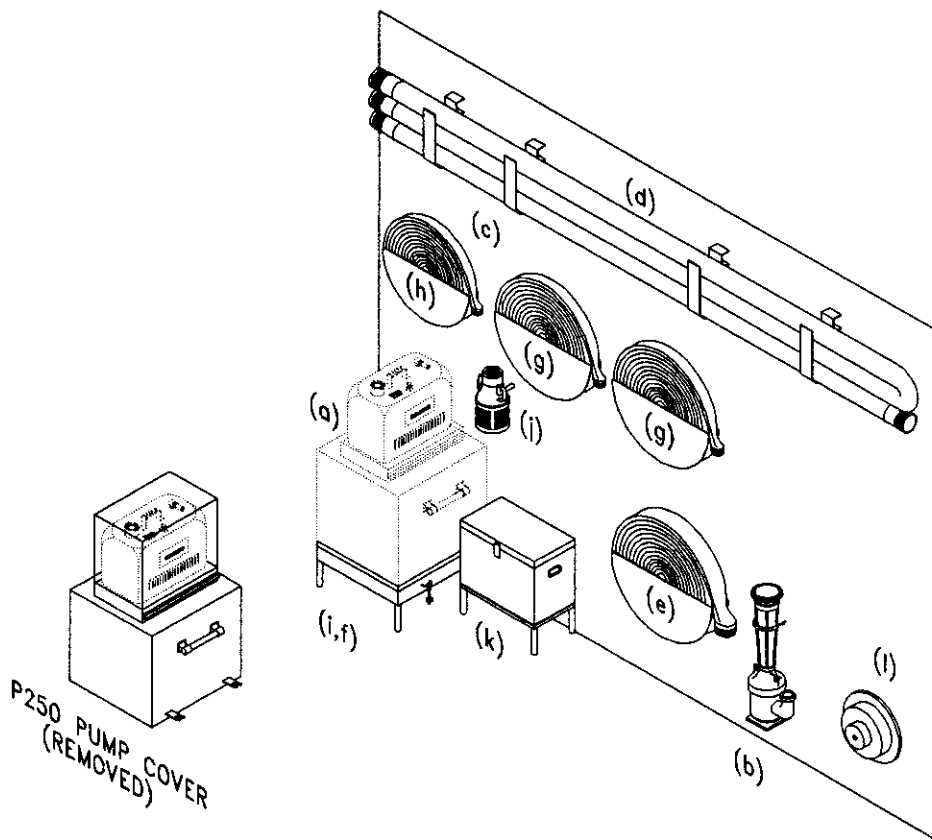
NOTE:

1. EQUIPMENT BRACKET FOUNDATIONS INSTALLED 6" ABOVE DECK.
2. HORIZONTAL DISTANCE BETWEEN EQUIPMENT APPROX. 4".
3. VERTICAL DISTANCE BETWEEN EQUIPMENT APPROX. 2".
4. TOTAL SPACE REQUIREMENTS - 60"W x 80"H x 20"D.

DAMAGE CONTROL EQUIPMENT STOWAGE SKETCH # 016

DESMOKING EQUIPMENT PLAN #2G

- (a) 1 CAN, FUEL
- (b) 1 EDUCTOR (PERI-JET)
- (c) 1 HOSE ASSEMBLY 3" x 10'
- (d) 1 HOSE ASSEMBLY 2" x 20'
- (e) 1 HOSE ASSEMBLY 4" x 50'
- (f) 1 HOSE ASSEMBLY 2-1/2" x 2-1/2' (STOWED WITH P250 PUMP)
- (g) 2 HOSE ASSEMBLY 2-1/2" x 50'
- (h) 1 HOSE ASSEMBLY 1-1/2" x 50'
- (i) 1 PUMP - P250
- (j) 1 VALVE - FOOT
- (k) 1 ACCESSORIES CHEST
- (l) 1 OVERBOARD DISCHARGE

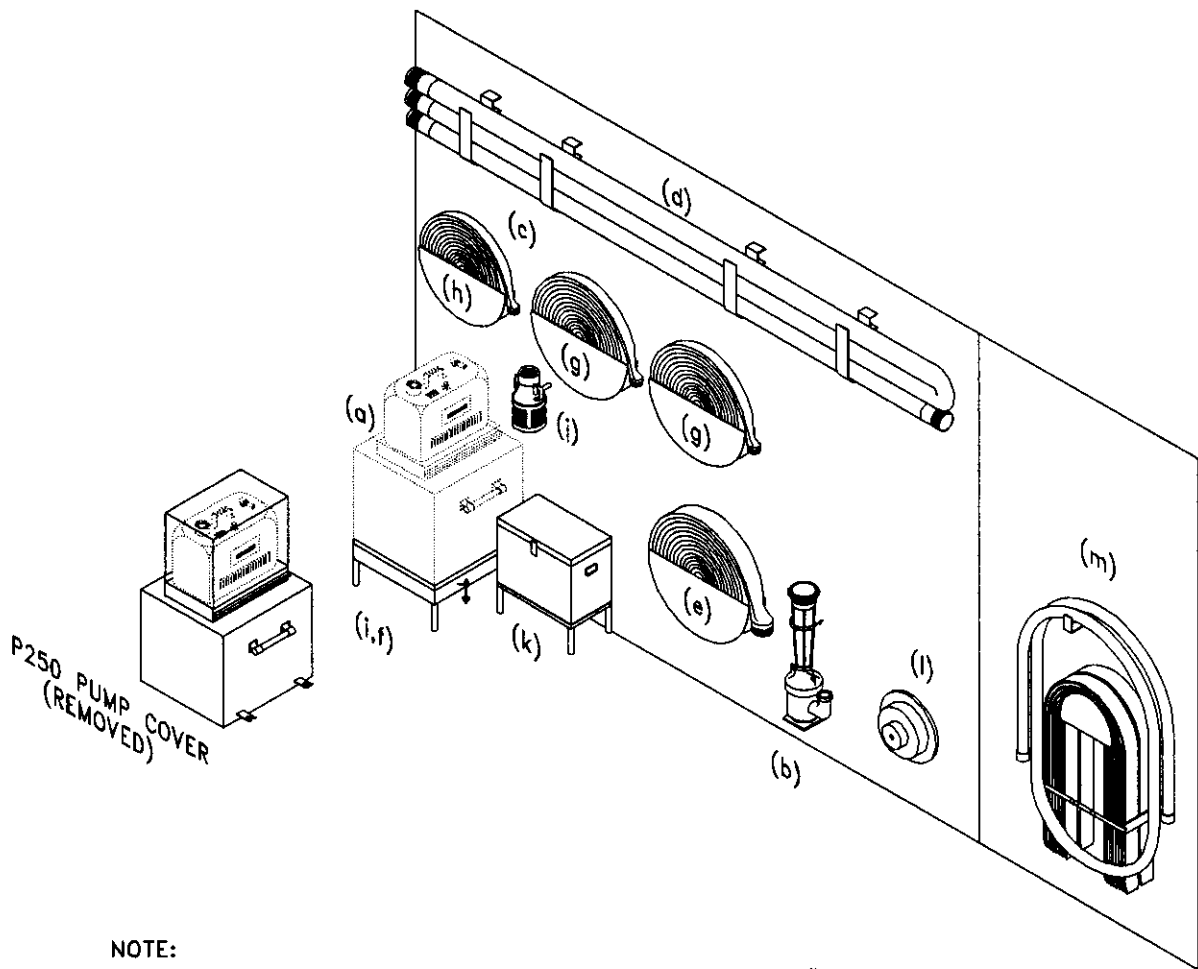


NOTE:

1. EQUIPMENT BRACKET FOUNDATIONS INSTALLED 6" ABOVE DECK.
2. HORIZONTAL DISTANCE BETWEEN EQUIPMENT APPROX. 4".
3. VERTICAL DISTANCE BETWEEN EQUIPMENT APPROX. 2".
4. TOTAL SPACE REQUIREMENTS - 76"W x 80"H x 21"D.

DAMAGE CONTROL EQUIPMENT STOWAGE SKETCH # 017
DEWATERING EQUIPMENT PLAN #3A
P250 PUMP AND ACCESSORIES

- (a) 1 CAN, FUEL
- (b) 1 EDUCTOR (PERI-JET)
- (c) 1 HOSE ASSEMBLY 3" x 10'
- (d) 1 HOSE ASSEMBLY 2" x 20'
- (e) 1 HOSE ASSEMBLY 4" x 50'
- (f) 1 HOSE ASSEMBLY 2-1/2" x 2-1/2' (STOWED WITH P250 PUMP)
- (g) 2 HOSE ASSEMBLY 2-1/2" x 50'
- (h) 1 HOSE ASSEMBLY 1-1/2" x 50'
- (i) 1 PUMP - P250
- (j) 1 VALVE - FOOT
- (k) 1 ACCESSORIES CHEST
- (l) 1 OVERBOARD DISCHARGE
- (m) 1 P250 HOSE ASSEMBLY RACK

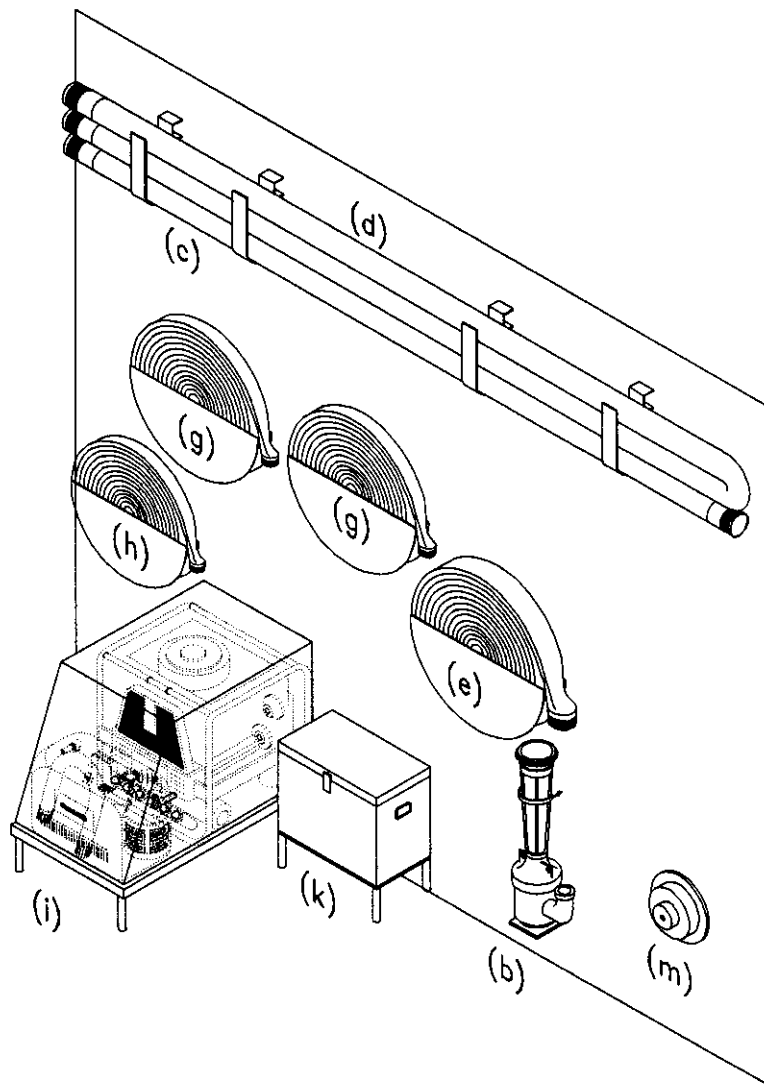


NOTE:

1. EQUIPMENT BRACKET FOUNDATIONS INSTALLED 6" ABOVE DECK.
2. HORIZONTAL DISTANCE BETWEEN EQUIPMENT APPROX. 4".
3. VERTICAL DISTANCE BETWEEN EQUIPMENT APPROX. 2".
4. TOTAL SPACE REQUIREMENTS - 76"W x 80"H x 21"D.

DAMAGE CONTROL EQUIPMENT STOWAGE SKETCH # 018
DEWATERING EQUIPMENT PLAN #3B
P250 PUMP AND ACCESSORIES

- (a) 1 CAN, FUEL (STOWED WITH PUMP P250)
- (b) 1 EDUCTOR (PERI-JET)
- (c) 1 HOSE ASSEMBLY 3" x 10'
- (d) 1 HOSE ASSEMBLY 2" x 20'
- (e) 1 HOSE ASSEMBLY 4" x 50'
- (f) 1 HOSE ASSEMBLY 2-1/2" x 2-1/2' (STOWED WITH PUMP P250)
- (g) 2 HOSE ASSEMBLY 2-1/2" x 50'
- (h) 1 HOSE ASSEMBLY 1-1/2" x 50'
- (i) 1 PUMP - P250
- (j) 1 VALVE - FOOT (STOWED WITH PUMP P250)
- (k) 1 ACCESSORIES CHEST
- (l) 1 TRI-GATE CONNECTION (STOWED WITH PUMP P250)
- (m) 1 OVERBOARD DISCHARGE CONNECTION



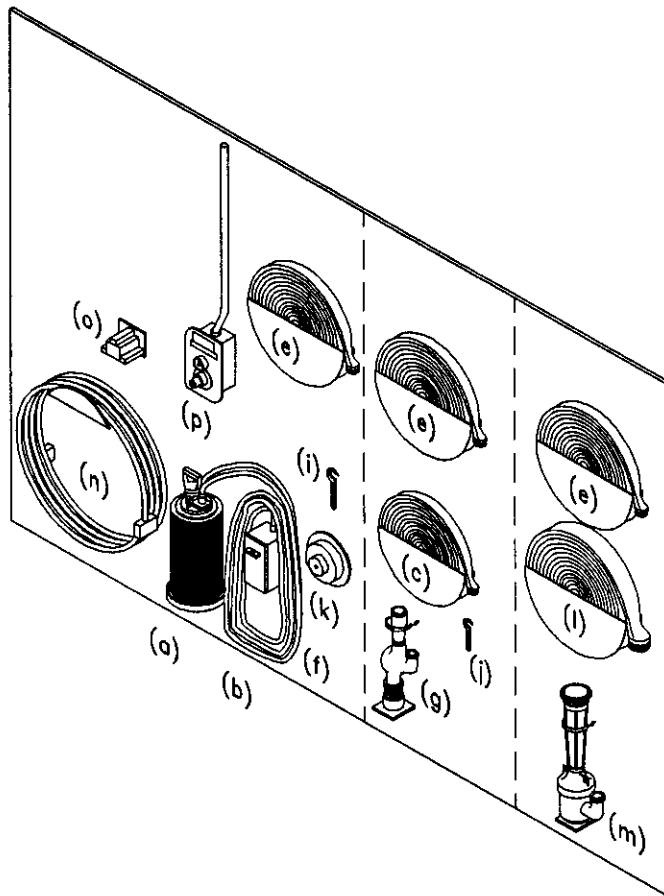
NOTE:

1. EQUIPMENT BRACKET FOUNDATIONS INSTALLED 6" ABOVE DECK.
2. HORIZONTAL DISTANCE BETWEEN EQUIPMENT IS 4".
3. VERTICAL DISTANCE BETWEEN EQUIPMENT IS 2".
4. TOTAL SPACE REQUIREMENTS - 76"W x 80"H x 21"D.

DAMAGE CONTROL EQUIPMENT STOWAGE SKETCH # 019

**DEWATERING EQUIPMENT PLAN #3C
P250 PUMP AND ACCESSORIES**

- (a) 1 PUMP, SUBMERSIBLE
- (b) 1 CABLE ASSEMBLY, 50' (ATTACHED TO SUB-PUMP)
- (c) 2 HOSE ASSEMBLY 1-1/2" x 50' (DOUBLE RACK)
- (d) 2 HOSE ASSEMBLY 2-1/2" x 10' (STOWED WITH P250 HOSE ASSY)
- (e) 2 HOSE ASSEMBLY 2-1/2" x 50'
- (f) 1 ROPE, NYLON 2" x 50' (ATTACHED TO SUB-PUMP)
- (g) 1 EDUCTOR 2-1/2" DISCHARGE
- (h) 1 STRAINER, SUCTION FIREHOSE (ATTACHED TO 2-1/2" HARD RUBBER HOSE)
- (i) 1 WRENCH SPANNER 2" TO 4-3/4"
- (j) 1 WRENCH SPANNER 3/4" TO 2"
- (k) 1 OVERBOARD DISCHARGE
- (l) 1 HOSE ASSEMBLY 4" x 50'
- (m) 1 EDUCTOR 4" DISCHARGE (PERI-JET)
- (n) 1 CASUALTY POWER CABLE
- (o) 1 CASUALTY POWER CONNECTION
- (p) 1 ADAPTER DBLM 4"



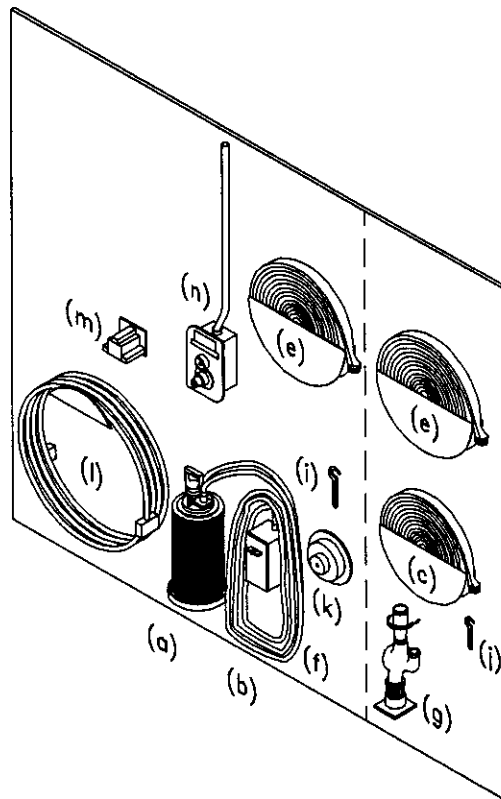
NOTE:

1. EQUIPMENT BRACKET FOUNDATIONS INSTALLED 6" ABOVE DECK.
2. HORIZONTAL DISTANCE BETWEEN EQUIPMENT APPROX. 4".
3. VERTICAL DISTANCE BETWEEN EQUIPMENT APPROX. 2".
4. TOTAL SPACE REQUIREMENTS - 76"W x 66"H x 21"D.

DAMAGE CONTROL EQUIPMENT STOWAGE SKETCH # 020

DEWATERING EQUIPMENT PLAN #3D

- (a) 1 PUMP, SUBMERSIBLE
- (b) 1 CABLE ASSEMBLY, 50' (ATTACHED TO SUB-PUMP)
- (c) 2 HOSE ASSEMBLY 1-1/2" x 50' (DOUBLE RACK)
- (d) 2 HOSE ASSEMBLY 2-1/2" x 10'(STOWED WITH P250 HOSE ASSY)
- (e) 2 HOSE ASSEMBLY 2-1/2" x 50'
- (f) 1 ROPE, NYLON 2" x 50' (ATTACHED TO SUB-PUMP)
- (g) 1 EDUCTOR 2-1/2" DISCHARGE
- (h) 1 STRAINER, SUCTION FIREHOSE (ATTACHED TO 2-1/2" HARD RUBBER HOSE)
- (i) 1 WRENCH SPANNER 2" TO 4-3/4"
- (j) 1 WRENCH SPANNER 3/4" TO 2"
- (k) 1 OVERBOARD DISCHARGE
- (l) 1 CASUALTY POWER CABLE
- (m) 1 CASUALTY POWER CONNECTION
- (n) 1 ADAPTER DBLM 4"



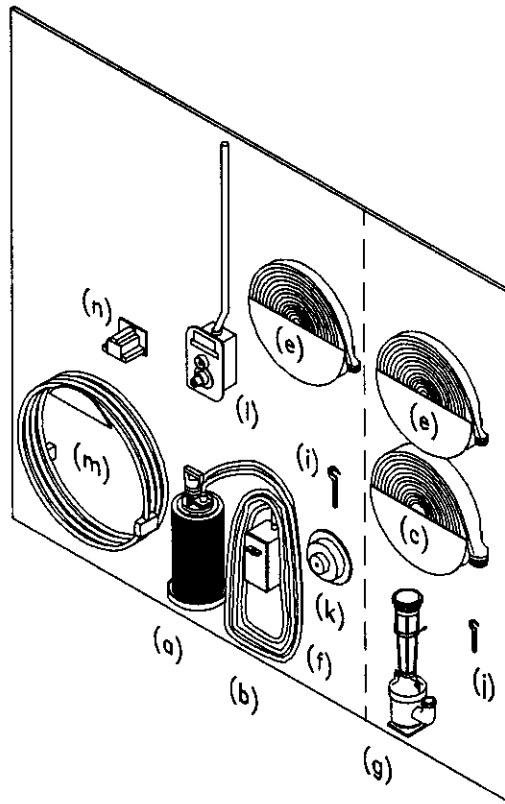
NOTE:

1. EQUIPMENT BRACKET FOUNDATIONS INSTALLED 6" ABOVE DECK.
2. HORIZONTAL DISTANCE BETWEEN EQUIPMENT APPROX. 4".
3. VERTICAL DISTANCE BETWEEN EQUIPMENT APPROX. 2".
4. TOTAL SPACE REQUIREMENTS - 76"W x 66"H x 21"D.

DAMAGE CONTROL EQUIPMENT STOWAGE SKETCH # 021

DEWATERING EQUIPMENT PLAN #3E

- (a) 1 PUMP, SUBMERSIBLE
- (b) 1 CABLE ASSEMBLY, 50' (ATTACHED TO SUB-PUMP)
- (c) 1 HOSE ASSEMBLY 4" x 50'
- (d) 2 HOSE ASSEMBLY 2-1/2" x 10'(STOWED WITH P250 HOSE ASSY)
- (e) 2 HOSE ASSEMBLY 2-1/2" x 50'
- (f) 1 ROPE, NYLON 2" x 50' (ATTACHED TO SUB-PUMP)
- (g) 1 EDUCTOR 4" DISCHARGE (PERI-JET)
- (h) 1 STRAINER, SUCTION FIREHOSE (ATTACHED TO 2-1/2" HARD RUBBER HOSE)
- (i) 1 WRENCH SPANNER 2" TO 4-3/4"
- (j) 1 WRENCH SPANNER 3/4" TO 2"
- (k) 1 OVERBOARD DISCHARGE
- (l) 1 ADAPTER DBLM 4"
- (m) 1 CASUALTY POWER CABLE
- (n) 1 CASUALTY POWER CONNECTION



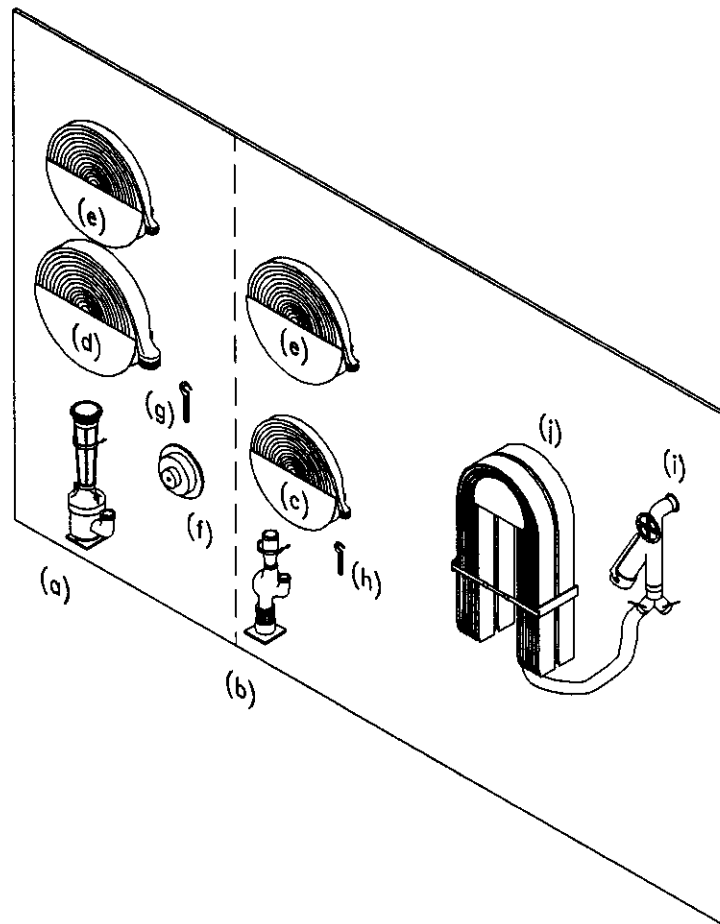
NOTE:

1. EQUIPMENT BRACKET FOUNDATIONS INSTALLED 6" ABOVE DECK.
2. HORIZONTAL DISTANCE BETWEEN EQUIPMENT APPROX. 4".
3. VERTICAL DISTANCE BETWEEN EQUIPMENT APPROX. 2".
4. TOTAL SPACE REQUIREMENTS - 76"W x 60"H x 21"D.

DAMAGE CONTROL EQUIPMENT STOWAGE SKETCH # 022

DEWATERING EQUIPMENT PLAN #3F

- (a) 1 EDUCTOR 4" DISCHARGE (PERI-JET)
- (b) 1 EDUCTOR 2-1/2" DISCHARGE
- (c) 1 HOSE ASSEMBLY 1-1/2" x 50'
- (d) 1 HOSE ASSEMBLY 4" x 50'
- (e) 2 HOSE ASSEMBLY 2-1/2" x 50'
- (f) 1 OVERBOARD DISCHARGE
- (g) 1 WRENCH SPANNER 2" x 4-3/4"
- (h) 1 WRENCH SPANNER 3/4" x 2"
- (i) 1 FIRE PLUG, 1-1/2"
- (j) 2 HOSE ASSEMBLY, 1-1/2" x 50'



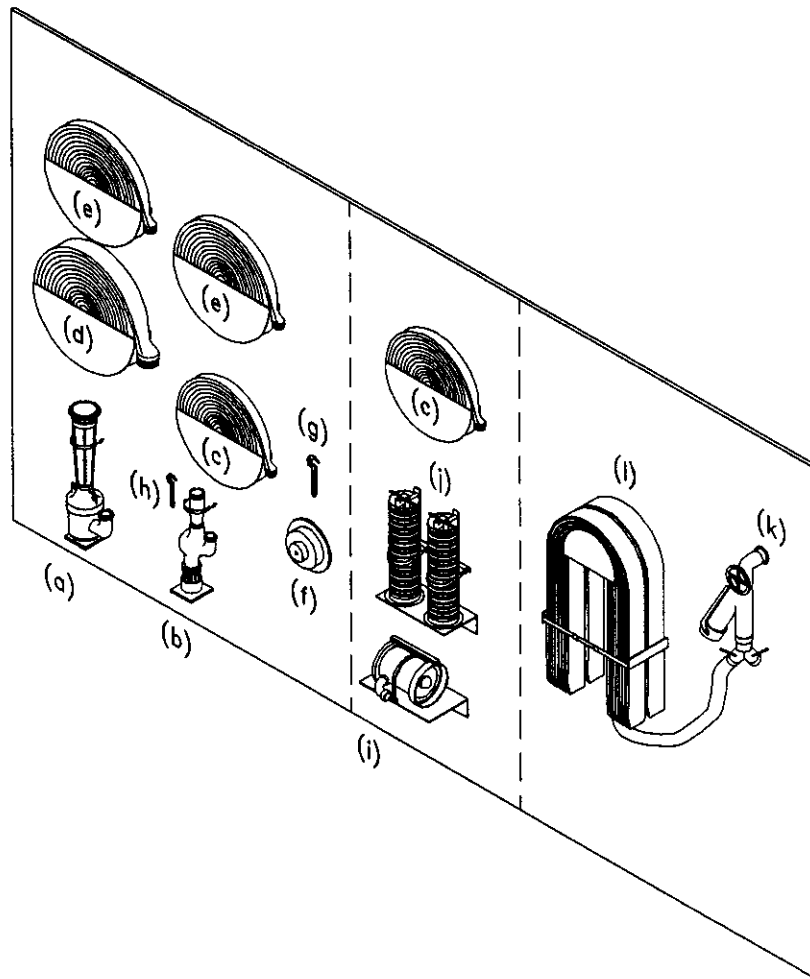
NOTE:

1. EQUIPMENT BRACKET FOUNDATIONS INSTALLED 6" ABOVE DECK.
2. HORIZONTAL DISTANCE BETWEEN EQUIPMENT APPROX. 4".
3. VERTICAL DISTANCE BETWEEN EQUIPMENT APPROX. 2".
4. TOTAL SPACE REQUIREMENTS - 76"W x 66"H x 21"D.

DAMAGE CONTROL EQUIPMENT STOWAGE SKETCH # 023

DEWATERING EQUIPMENT PLAN #3G

- (a) 1 EDUCTOR 4" DISCHARGE (PERI-JET)
- (b) 1 EDUCTOR 2-1/2" DISCHARGE
- (c) 2 HOSE ASSEMBLY 1-1/2" x 50'
- (d) 1 HOSE ASSEMBLY 4" x 50'
- (e) 2 HOSE ASSEMBLY 2-1/2" x 50'
- (f) 1 OVERBOARD DISCHARGE
- (g) 1 WRENCH SPANNER 2" x 4-3/4"
- (h) 1 WRENCH SPANNER 3/4" x 2"
- (i) 1 RAM FAN, WATER DRIVEN
- (j) 2 HOSE AIRDUCT
- (k) 1 FIRE PLUG, 1-1/2"
- (l) 2 HOSE ASSEMBLY, 1-1/2" x 50'



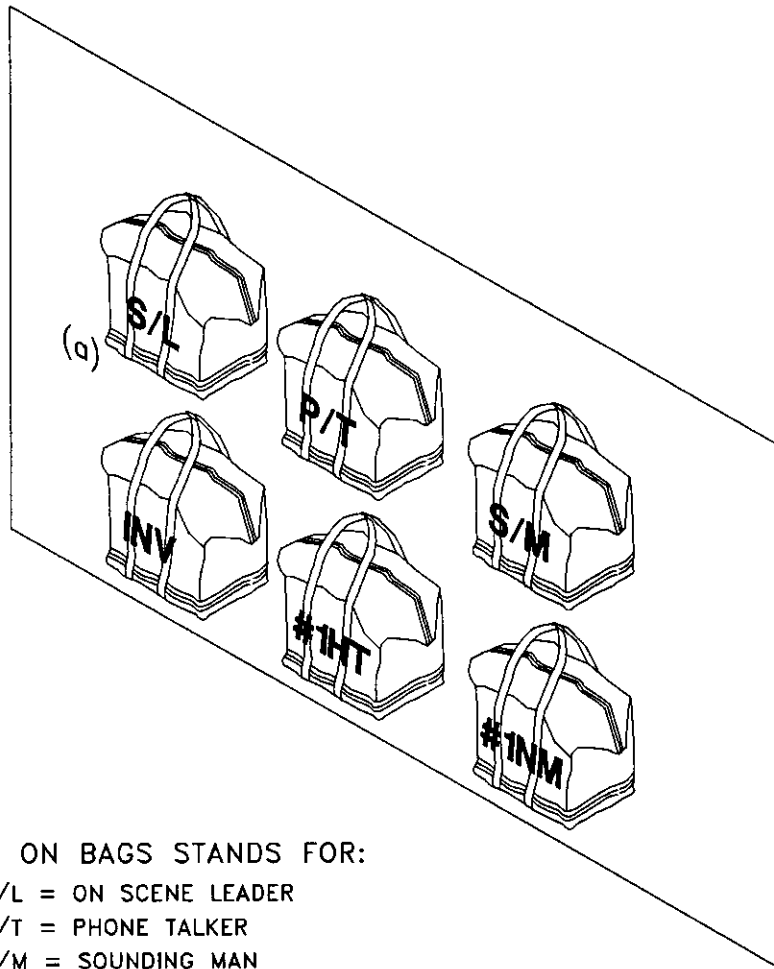
NOTE:

1. EQUIPMENT BRACKET FOUNDATIONS INSTALLED 6" ABOVE DECK.
2. HORIZONTAL DISTANCE BETWEEN EQUIPMENT APPROX. 4".
3. VERTICAL DISTANCE BETWEEN EQUIPMENT APPROX. 2".
4. TOTAL SPACE REQUIREMENTS - 76"W x 66"H x 21"D.

DAMAGE CONTROL EQUIPMENT STOWAGE SKETCH # 024

DEWATERING EQUIPMENT PLAN #3H

- (a) 6 FIREMAN'S BAG
EACH BAG CONTAINS:
- 1 PAIR BOOTS
 - 1 PAIR GLOVES
 - 1 OBA
 - 2 OBA CANS
 - 1 FF COVERALL
 - 1 FF HELMET



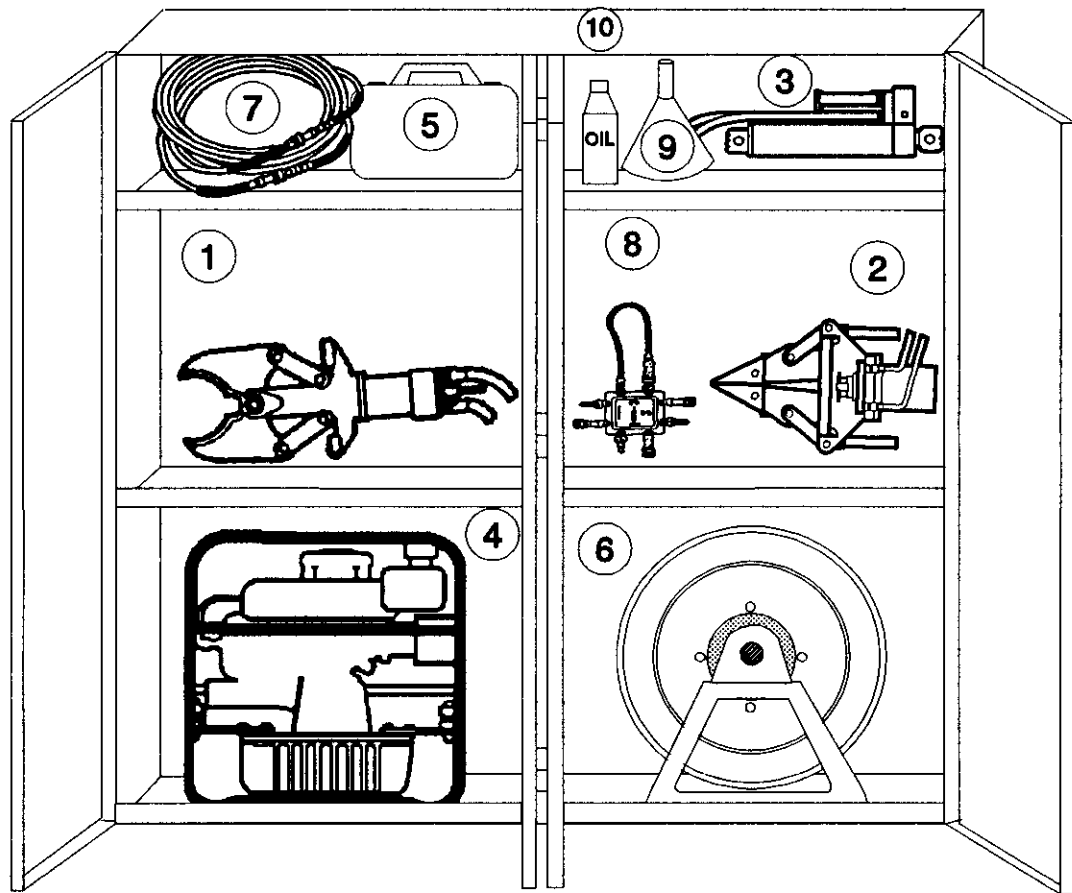
LETTERS ON BAGS STANDS FOR:

- S/L = ON SCENE LEADER
- P/T = PHONE TALKER
- S/M = SOUNDING MAN
- INV = INVESTIGATOR
- #1HT = NO.1 HOSE TEAM
- #1NM = NO.1 NOZZLE MAN

DAMAGE CONTROL EQUIPMENT STOWAGE SKETCH # 25
PERSONNEL PROTECTION EQUIPMENT
STOWAGE BAG

EQUIPMENT DESCRIPTION	DIMENSIONS
1. Cutter	31 1/2"H x 11 1/2"W x 7"D
2. Spreader	24.3"H x 14"W x 8 1/2"D
3. Extension Ram	23"H x 7"W x 3"D
4. Engine	22"H x 20"W x 20"D
5. Attachment Case	11"H x 15 3/8"W x 3"D
6. Hose Reel - 100' with Manifold attached to hose	18"H x 16 1/2"W x 16 1/2"D
7. Extension Hose, 1 x 16'	24"H x 18"W x 3"D
8. Multiple Connection Manifold	15"H x 9 1/2"W x 5"D
9. Funnel	8"H x 4"W x 4"D
10. Oil, case - 7 quarts (1 quart illustrated)	

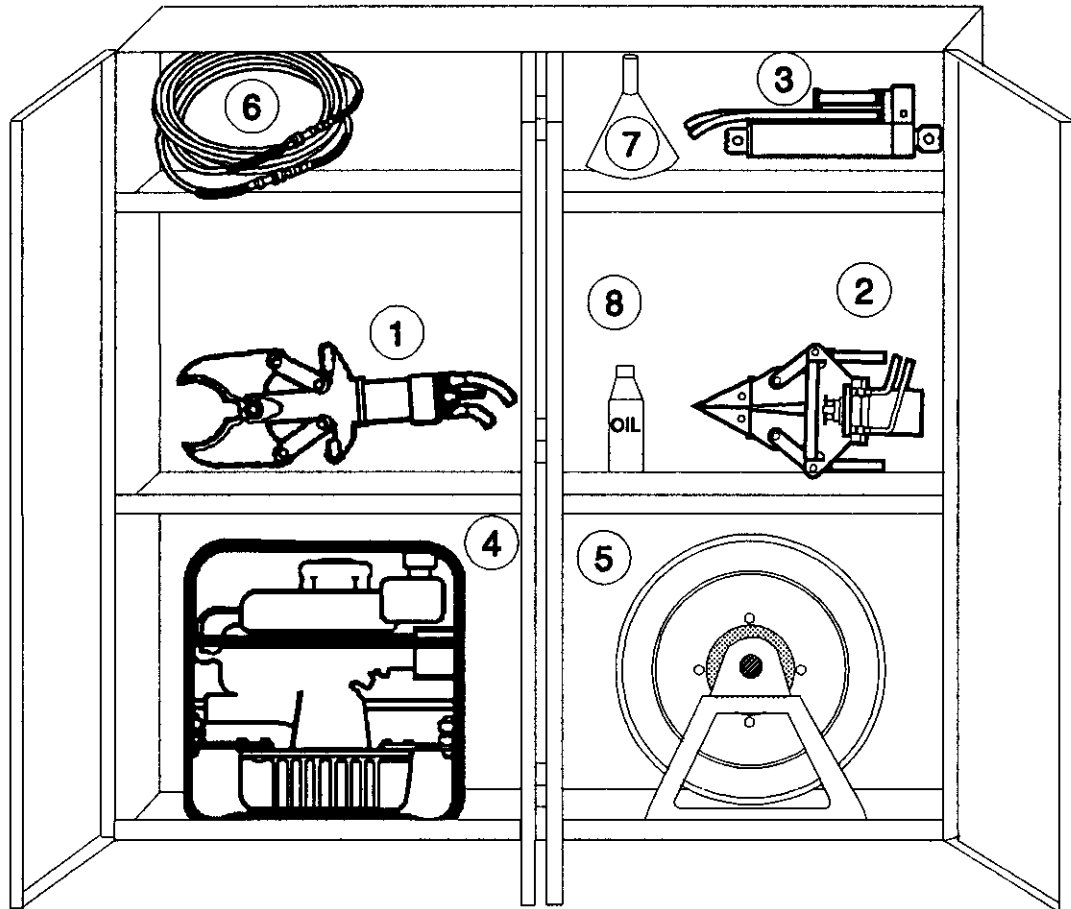
- NOTES: 1. Spare hydraulic fluid (7 qts.) stored as designated by DCA.
2. Illustration is for general storage guidance only.



DAMAGE CONTROL EQUIPMENT STOWAGE SKETCH #025
PORTABLE HYDRAULIC ACCESS AND RESCUE SYSTEM (PHARS)
GENERAL EQUIPMENT STORAGE ARRANGEMENT PLAN #1
HURST TOOLS

EQUIPMENT DESCRIPTION	DIMENSIONS
1. Cutter	21"L x 8"W x 5"H
2. Spreader	31"L x 13"W x 8"H
3. Extension Ram	25"L x 7"W x 3"H
4. Engine	22"L x 20"W x 20"H
5. Hose Reel - 100' with Manifold attached to hose (optional)	21"L x 18"W x 18"H
6. Extension Hose, 1 x 15'	24"L x 16"W x 3"H
7. Funnel	8"L x 4"W x 4"H
8. Oil, case - 7 quarts (1 quart illustrated)	

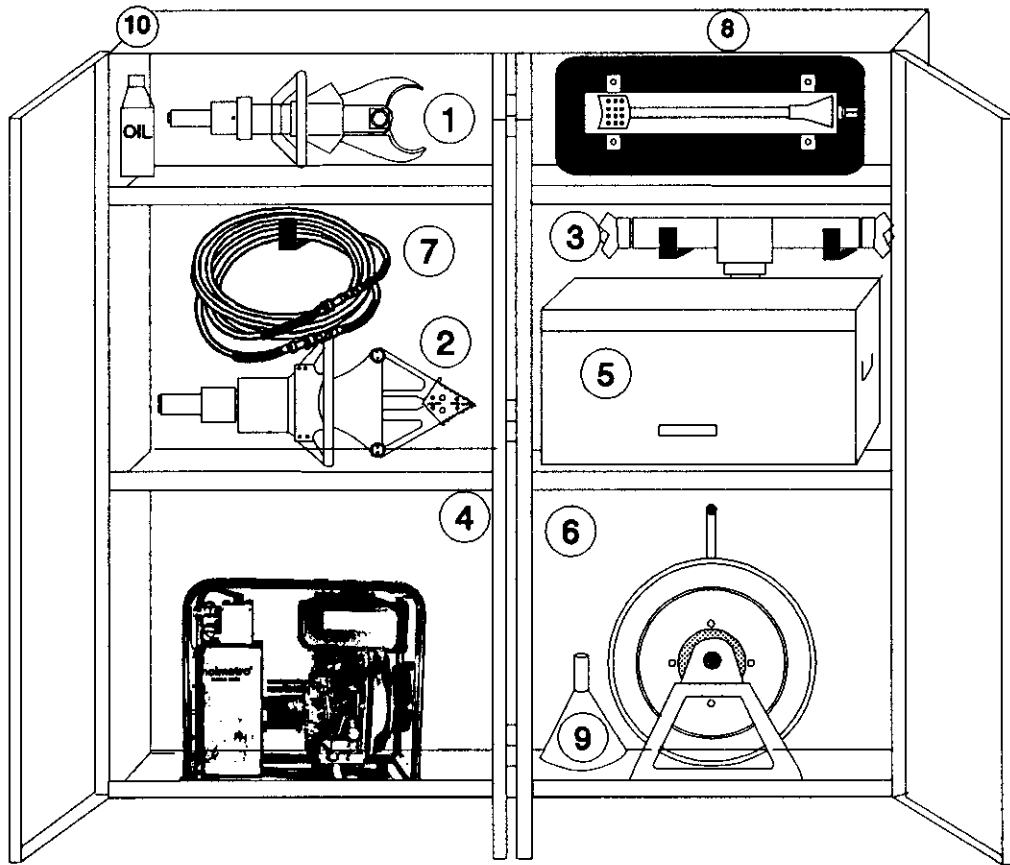
- NOTES: 1. Spare hydraulic fluid (7 qts.) stored as designated by DCA.
2. Illustration is for general storage guidance only.



DAMAGE CONTROL EQUIPMENT STOWAGE SKETCH #026
PORTABLE HYDRAULIC ACCESS AND RESCUE SYSTEM (PHARS)
GENERAL EQUIPMENT STORAGE ARRANGEMENT PLAN #2
PHOENIX TOOLS

EQUIPMENT DESCRIPTION	DIMENSIONS
1. Cutter	30.75"L x 8.75"W x 5"H
2. Spreader	35"L x 12"W x 8.5"H
3. Extension Ram	30.25"L x 4.75"W x 17"H
4. Engine	21"L x 16"W x 22"H
5. Accessories Chest	36"L x 16"W x 18"H
6. Hose Reel - 100'	16.5"L x 14"W x 18"H
7. Extension Hose, 1 x 16'	24"L x 18"W x 3"H
8. Foot Valve	30"L x 10"W x 5"H
9. Funnel	8"L x 4"W x 4"H
10. Oil, case - 7 quarts (1 quart illustrated)	

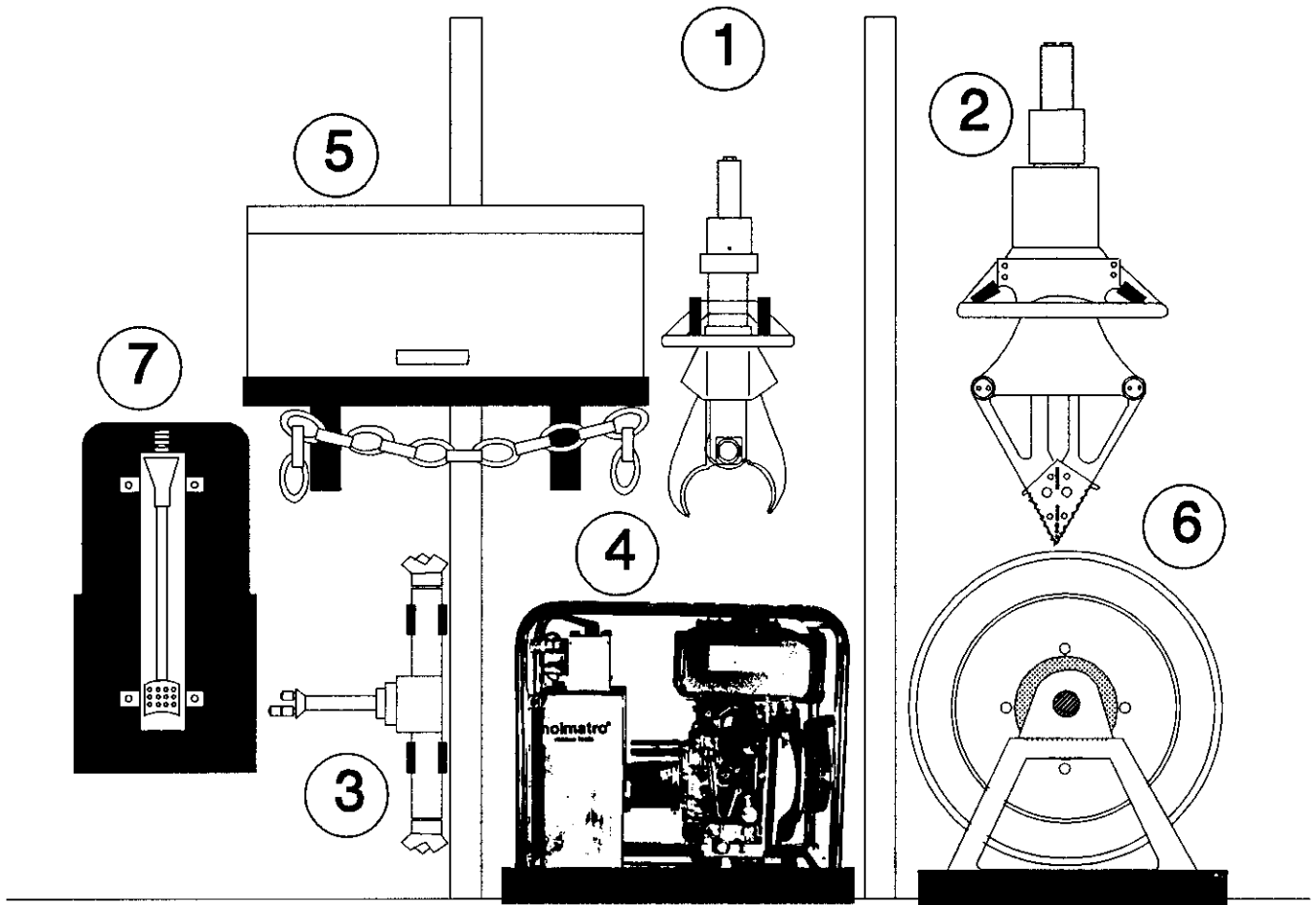
- NOTES: 1. Spare hydraulic fluid (7 qts.) stored as designated by DCA.
2. Illustration is for general storage guidance only.



DAMAGE CONTROL EQUIPMENT STOWAGE SKETCH #027
PORTABLE HYDRAULIC ACCESS AND RESCUE SYSTEM (PHARS)
GENERAL EQUIPMENT STORAGE ARRANGEMENT PLAN #3
HOLMATRO TOOLS

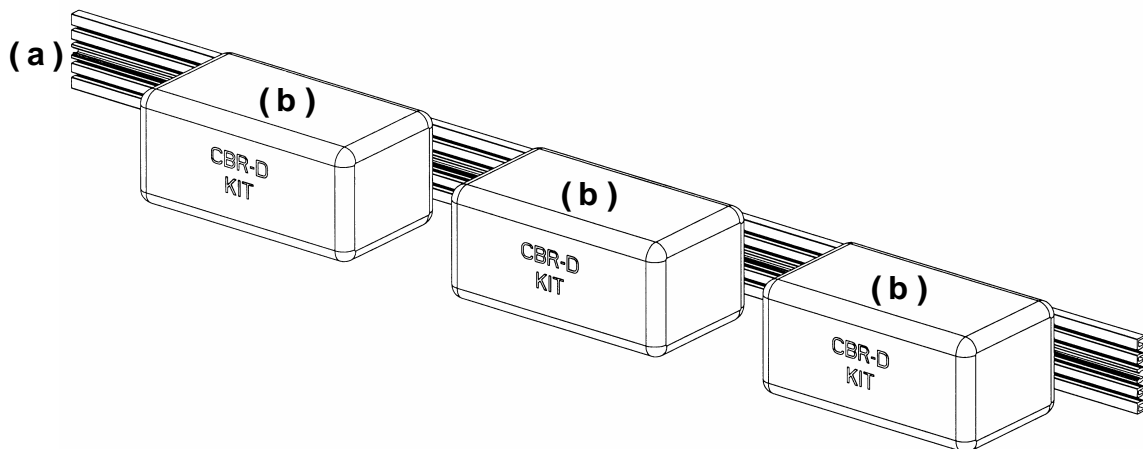
EQUIPMENT DESCRIPTION	DIMENSIONS
1. Cutter	30.75"L x 8.75"W x 5"H
2. Spreader	35"L x 12"W x 8.5"H
3. Extension Ram	30.25"L x 4.75"W x 17"H
4. Engine	21"L x 16"W x 22"H
5. Accessories Chest with Extension Hose, 1 x 16'	36"L x 16"W x 18"H
6. Hose Reel - 100'	16.5"L x 14"W x 18"H
7. Foot Valve	30"L x 10"W x 5"H

- NOTES: 1. Spare hydraulic fluid (7 qts.) stored as designated by DCA.
 2. Illustration is for general storage guidance only.



DAMAGE CONTROL EQUIPMENT STOWAGE SKETCH #028
 PORTABLE HYDRAULIC ACCESS AND RESCUE SYSTEM (PHARS)
 GENERAL EQUIPMENT STORAGE ARRANGEMENT PLAN #3A
 HOLMATRO TOOLS

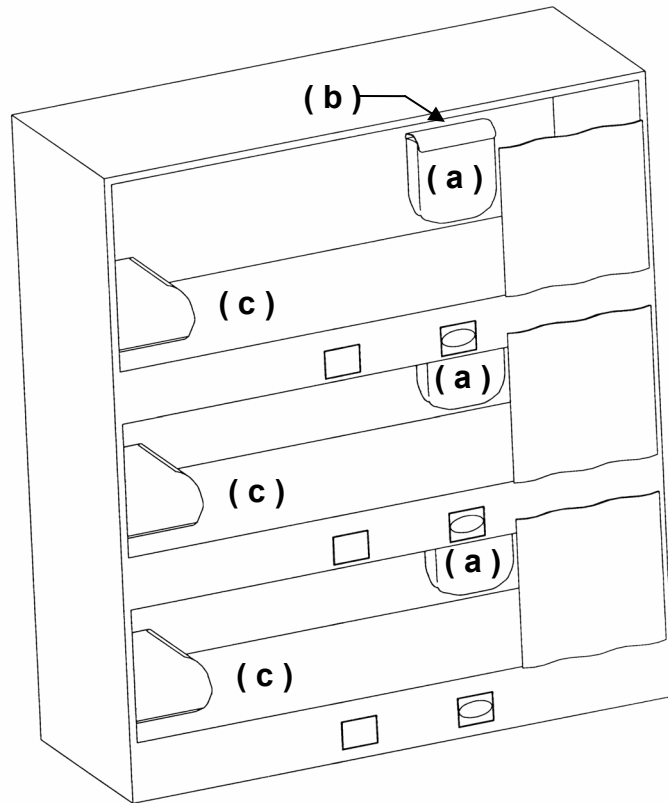
- (a) CBR-D IPE STOWAGE RACK
- (b) CBR-D IPE KIT
 - 1 BAG, CBR-D IPE KIT
 - 1 JS-LIST COAT
 - 1 JS-LIST TROUSERS
 - 1 PAIR OVERBOOTS
 - 2 PAIR GLOVE INSERTS
 - 1 UTILITY BELT
 - 1 CANTEEN
 - 1 M-291 DECON KIT
 - 2 C1A2 CANISTERS
 - 2 2PAM CHLORIDE AUTO INJECTORS
 - 3 ATROPINE AUTO INJECTORS



- NOTE: 1. CBR RACK SYSTEM SHOWN IN A HORIZONTAL CONFIGURATION.
2. CBR-D IPE KITS ARE STORED ON RACK SYSTEMS. THE LENGTH OF THE RACK DETERMINES THE NUMBER OF CBR-D IPE KITS THAT CAN BE STORED ON EACH ROW.

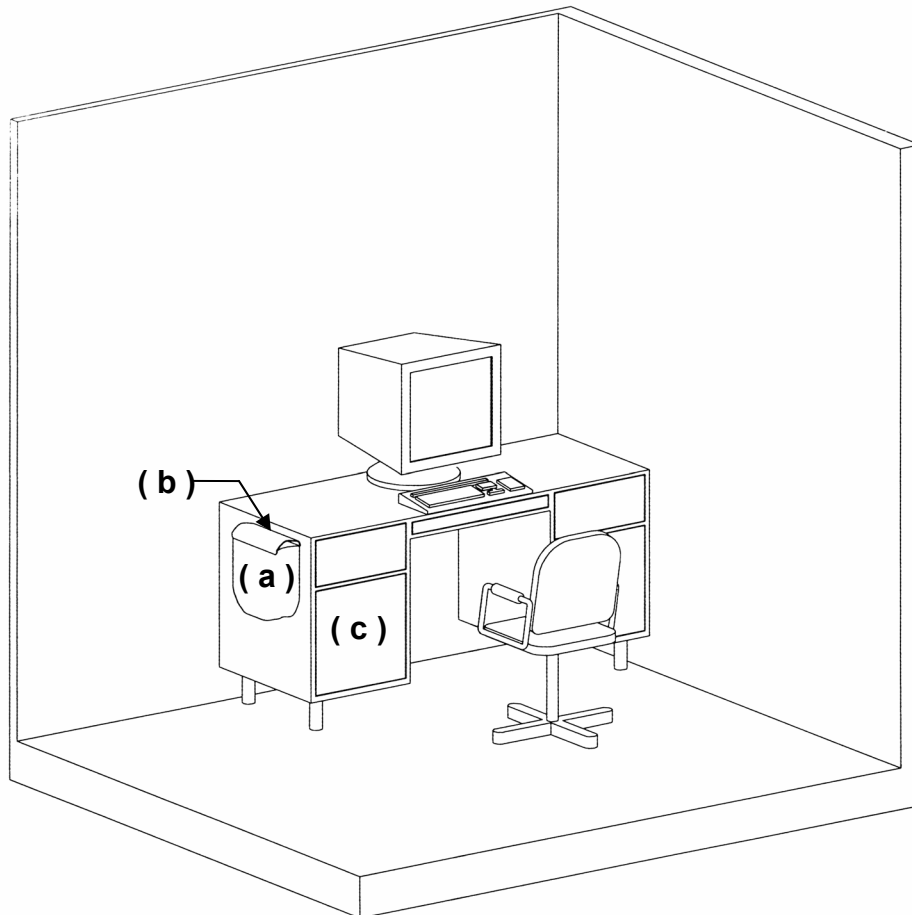
DAMAGE CONTROL EQUIPMENT STOWAGE SKETCH #029
CBR-D IPE STOWAGE RACK SYSTEM

- (a) 1 MCU-2P KIT INCLUDES:
 - 1 BAG, MCU-2P KIT
 - 1 MCU-2P MASK
- (b) 1 MCU-2P STOWAGE HOOK
- (c) BERTHING



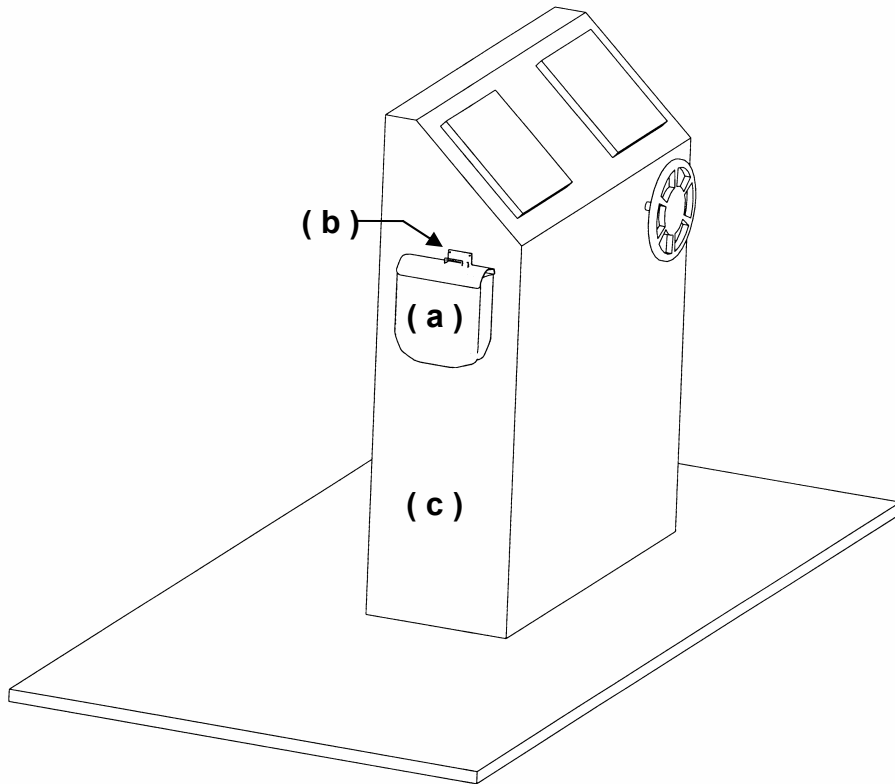
DAMAGE CONTROL EQUIPMENT STOWAGE SKETCH #030
MCU-2P STOWAGE PLAN
BERTHING AREA

- (a) 1 MCU-2P KIT INCLUDES:
 - 1 BAG, MCU-2P KIT
 - 1 MCU-2P MASK
- (b) 1 MCU-2P STOWAGE HOOK
- (c) DESK



DAMAGE CONTROL EQUIPMENT STOWAGE SKETCH #031
MCU-2P STOWAGE PLAN
WORKSTATION

- (a) 1 MCU-2P KIT INCLUDES:
 - 1 BAG, MCU-2P KIT
 - 1 MCU-2P MASK
- (b) 1 MCU-2P STOWAGE HOOK
- (c) WATCH STATION



DAMAGE CONTROL EQUIPMENT STOWAGE SKETCH #032
MCU-2P STOWAGE PLAN
BRIDGE WATCH STATION