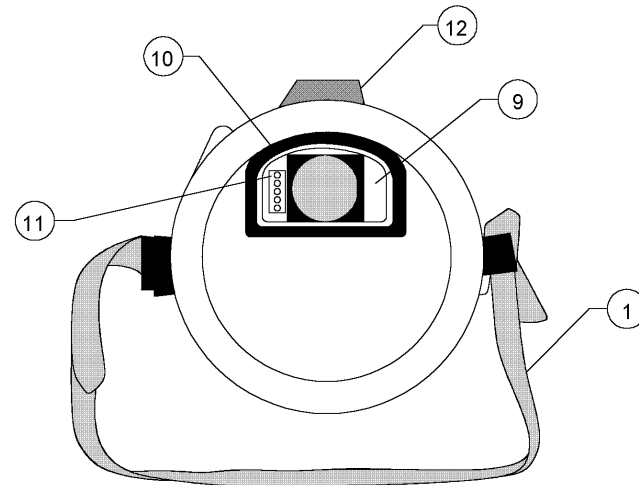
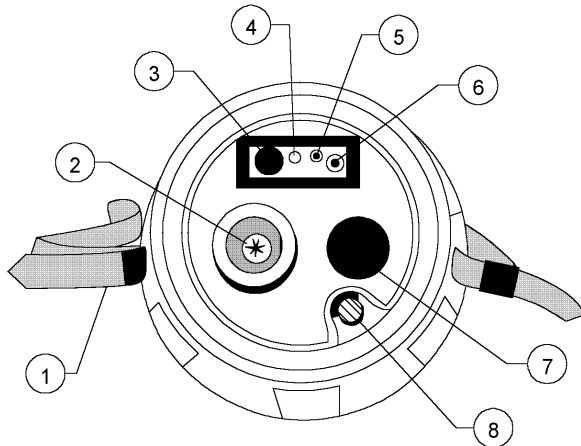
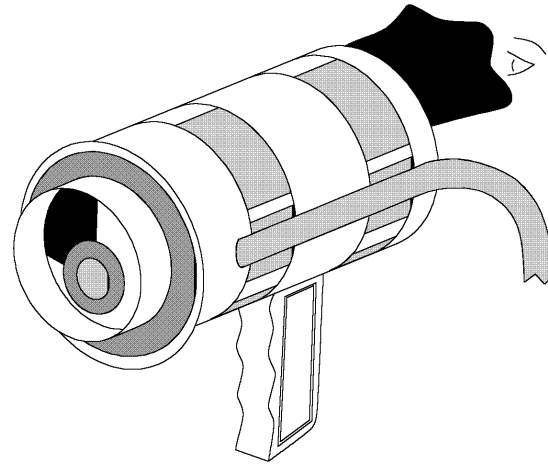


**DAMAGE CONTROL LAYOUT SKETCHES**  
**SECTION 9 - NAVAL FIREFIGHTERS' THERMAL IMAGER**

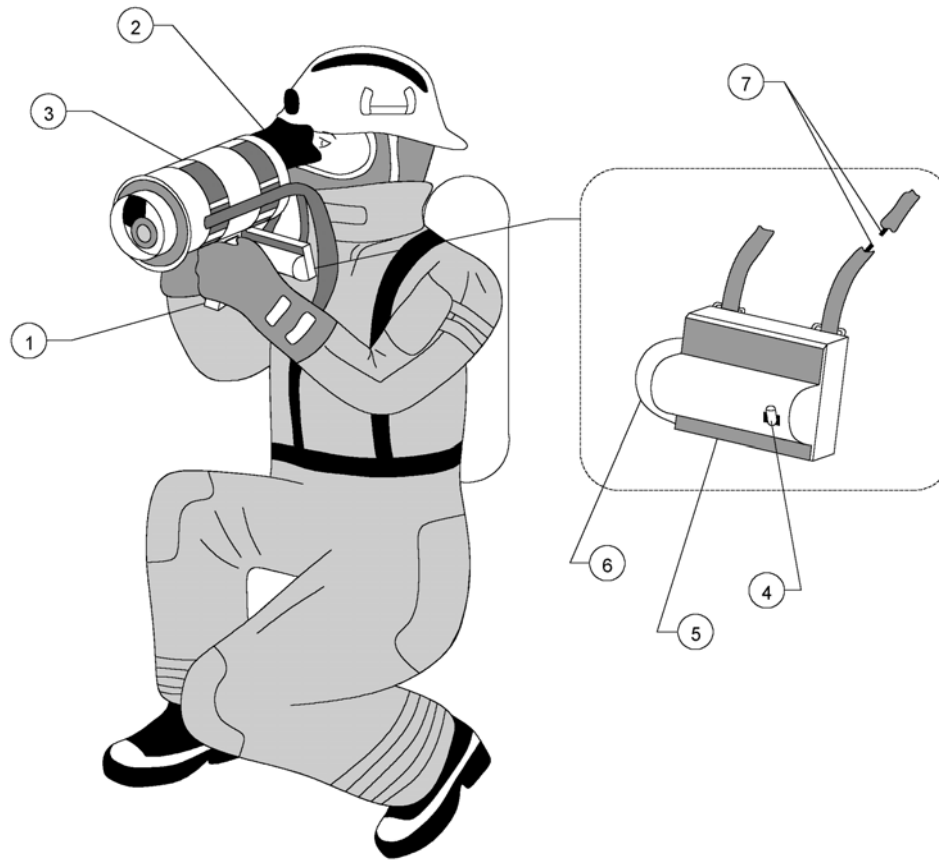
<b>SKETCH NO.</b>	<b>TITLE OF SKETCH</b>	<b>SHEET NO.</b>
001	Allowing Sight through Dense Smoke and Light Steam to Locate Seat of Fire, in Overhaul Operations and for Search and Rescue of Personnel	9-2
002	Typical Operating Scenario (SCBA)	9-3

ITEM	EQUIPMENT
1	CARRYING STRAP
2	GERMANIUM LENS
3	ON/OFF SWITCH
4	VENT
5	TEST VALVE
6	EXTERNAL VIDEO SOCKET
7	BATTERY COVER
8	CHOP/PAN SWITCH
9	VIEWING PORT
10	VIEWING HOOD
11	BATTERY STATE INDICATOR
12	CASE STRAP



**NAVAL FIREFIGHTER'S THERMAL IMAGER - SKETCH #001**

**Allowing Sight through Dense Smoke and Light Steam to Locate Seat of Fire, in Overhaul Operations and for Search and Rescue of Personnel**



ITEM	EQUIPMENT
1	REMOVABLE HANDLE
2	VIEWING HOOD
3	HARNESS
4	ON/OFF SWITCH (RED)
5	VOLTAGE STABILIZER UNIT
6	BATTERY CAP
7	CABLE CONCEALED IN HARNESS

**NAVAL FIREFIGHTER'S THERMAL IMAGER - SKETCH #003**  
**Typical Operating Scenario (SCBA)**