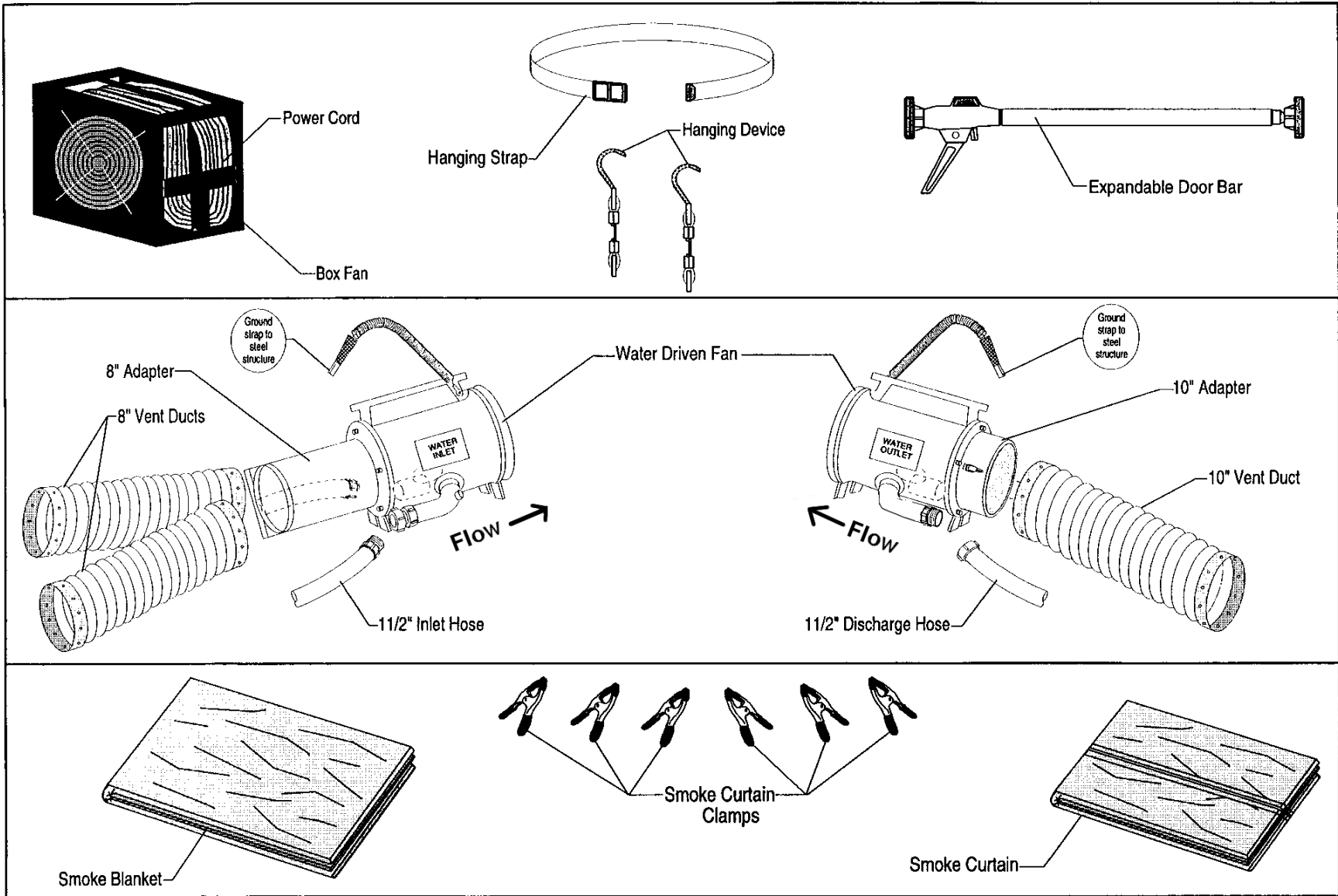
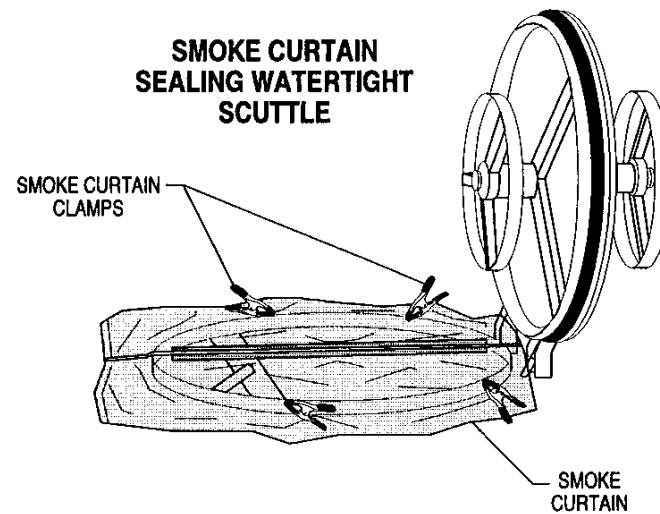
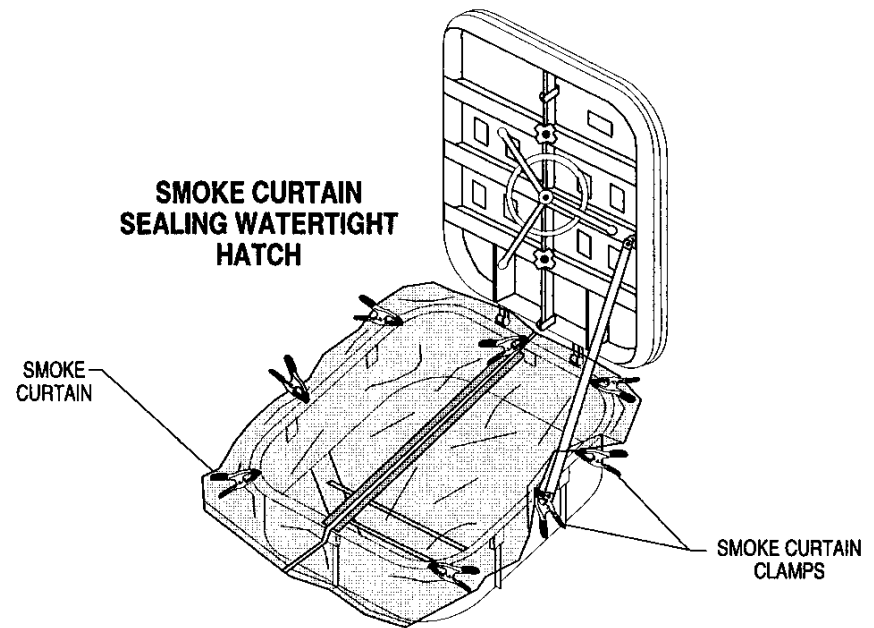
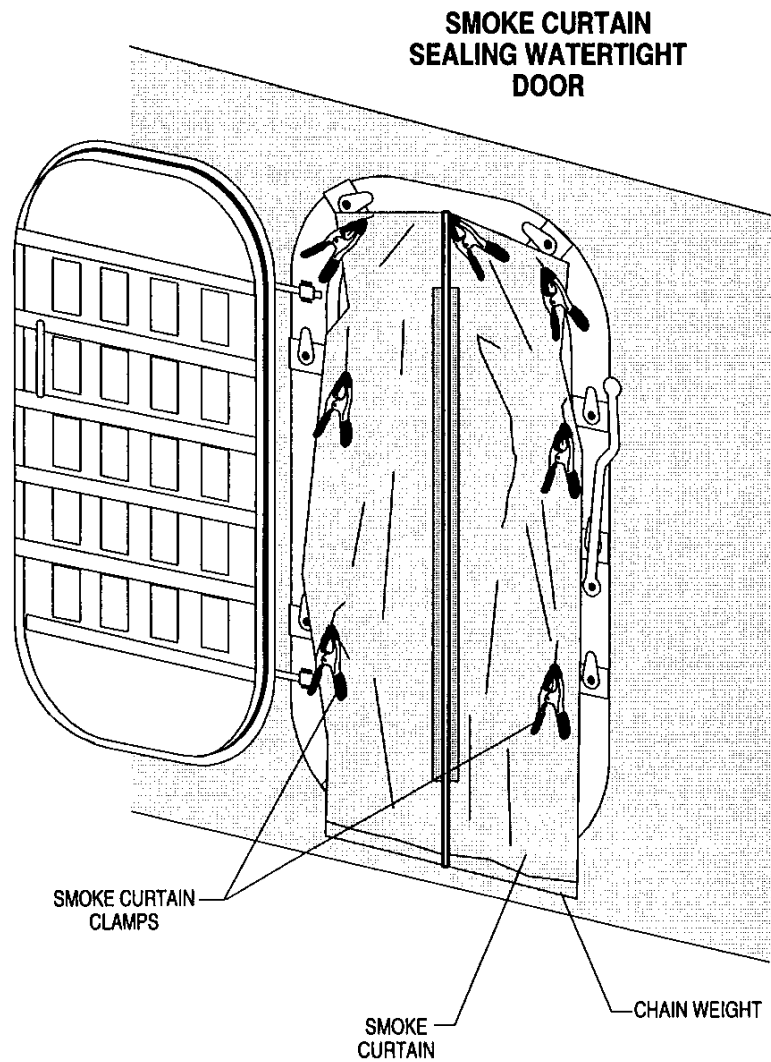


DAMAGE CONTROL LAYOUT SKETCHES
SECTION 3 - DESMOKING EVOLUTION

SKETCH NO.	TITLE OF SKETCH	SHEET NO.
001	Desmoking Equipment	3-2
002	Smoke Curtain Set-Up	3-3
003	Smoke Blanket Set-Up	3-4
004	Using Box Fan(s) Set in Watertight Door with Smoke Curtain	3-5
005	Using Box Fan Hung Across Watertight Door with Smoke Curtain	3-6
006	Using Two Fans Hung From Top of Watertight Door with Smoke Curtain	3-7
007	Optimum Placement of Desmoking Fans from Door (Seal Door Using Fan's Air)	3-8
008	Desmoking with Water Driven Fan Placed Adjacent to Smoke-Filled Compartment	3-9
009	Using Water Driven Fan Placed Adjacent to Smoke-Filled Compartment and Vent Duct Exhausting Through Scuttle to Weather Deck	3-10
010	Desmoking with Water Driven Fan Placed Adjacent to Smoke-Filled Compartment	3-11
011	Using Water Driven Fan Placed on Weather Deck or Below Adjacent to Smoked Compartment	3-12
012	Using Red Devil Blower Placed on Weather Deck or Below Adjacent to Smoked Compartment	3-13
013	Using Water Driven Fan to Desmoke Compartment with Box Fan on Scuttle	3-14
014	Using Water Driven Fan to Desmoke Compartment with Box Fan on Hatch	3-15
015	Using Red Devil Blower Placed on Weather Deck	3-16
016	Showing Portable Suction Duct Through the Smoke Curtain Located in Door Frame	3-17
017	Desmoking from Weather Deck or Clear Space with Water Driven Fan Actuated by P-100 Pump	3-18
018	Using Electric Subpump Supplying Water Driven Fan or 1-1/2" Firehose	3-19
019	Using Box Fans - Stacked Negative Ventilation	3-20
020	Desmoking Passageway Through Escape Trunk Using Box Fans in Negative Pressure	3-23

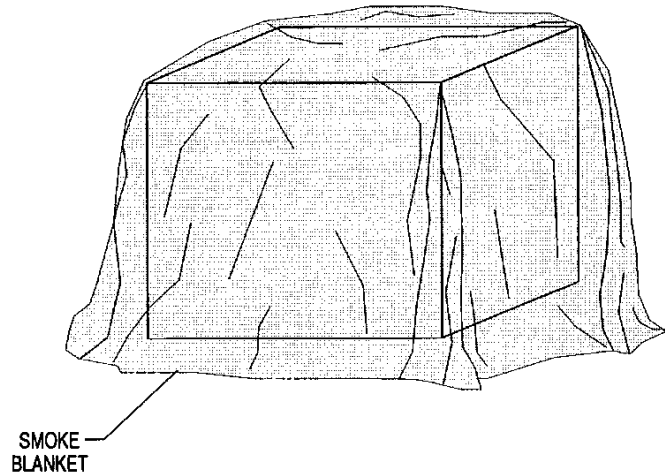


DESMOKING EVOLUTION - SKETCH #001
Desmoking Equipment

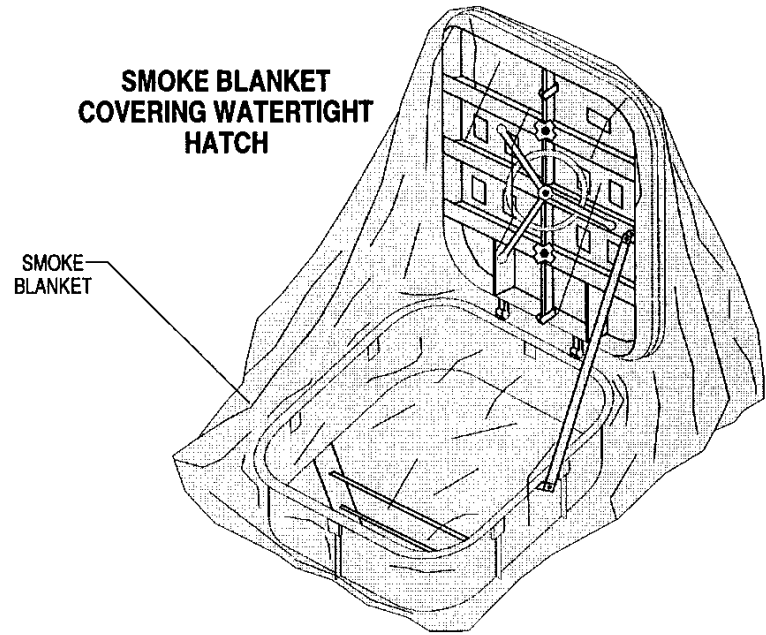


DESMOKING EVOLUTION - SKETCH #002
Smoke Curtain Set-Up

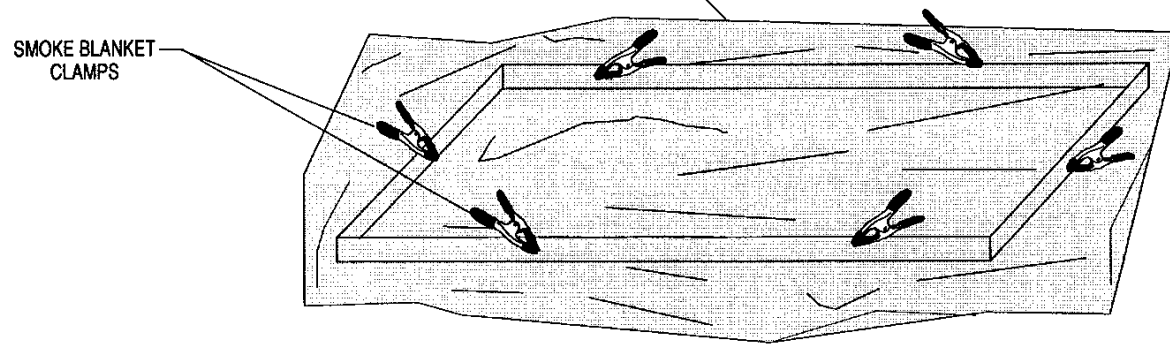
**SMOKE BLANKET COVERING
EQUIPMENT
(SALVAGE COVER & HEAT SHIELD)**



**SMOKE BLANKET
COVERING WATERTIGHT
HATCH**

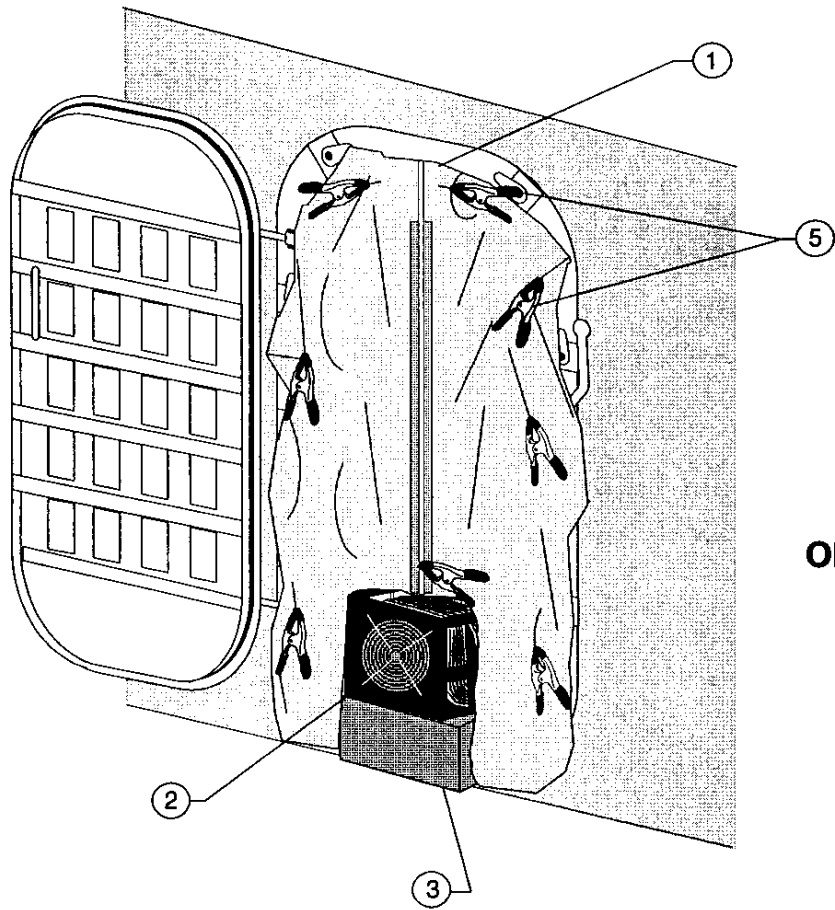


**SMOKE BLANKET
COVERING LARGE
OPENING**



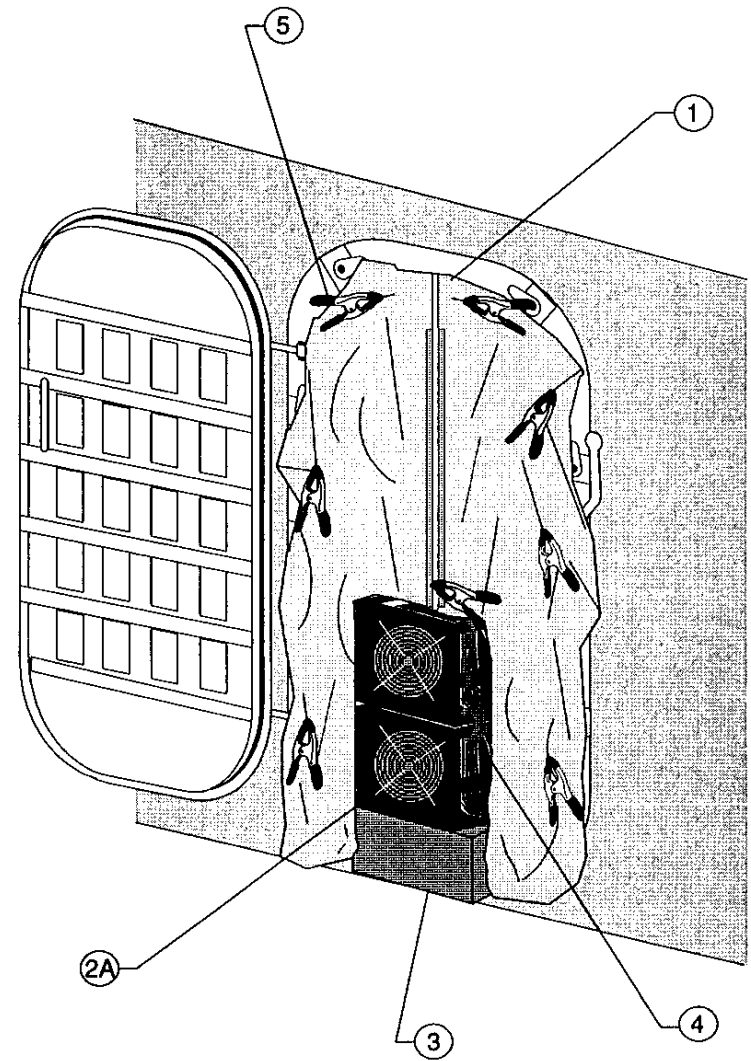
**SMOKE BLANKET
COVERING LARGE
OPENING**

**DESMOKING EVOLUTION - SKETCH #003
Smoke Blanket Set-Up**



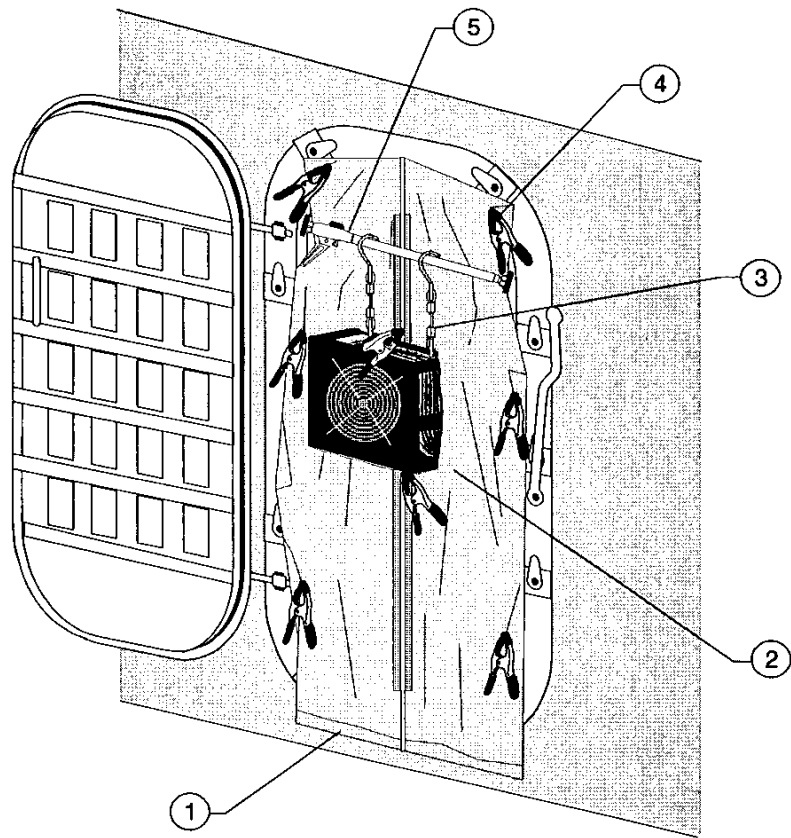
NOTE: Balance fan(s) on door knife edge.

OR

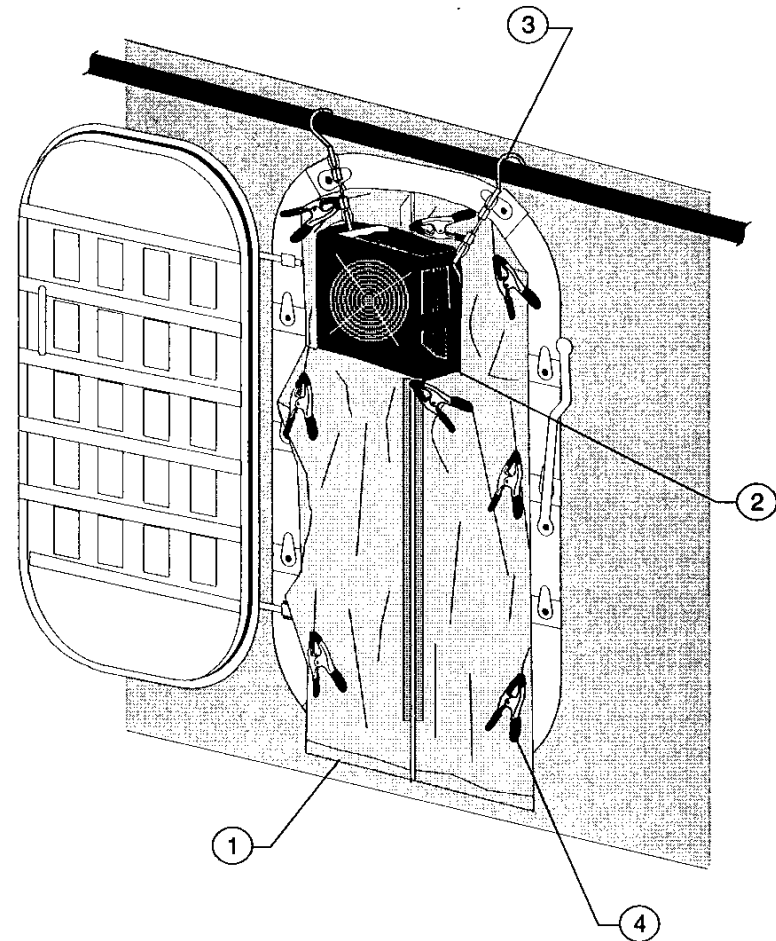


ITEM	QTY	EQUIPMENT
1	1	SMOKE CURTAIN
2	1	MEDIUM CAPACITY BOX FAN
2A	2	MEDIUM CAPACITY BOX FAN
3	1	LEVELING PIECE FOR DOOR KNIFE EDGE
4	AR	TIES FOR TYING BOX FANS TOGETHER
5	AR	SMOKE CURTAIN CLAMPS

DESMOKING EVOLUTION - SKETCH #004
Using Box Fan(s) Set in Watertight Door with Smoke Curtain

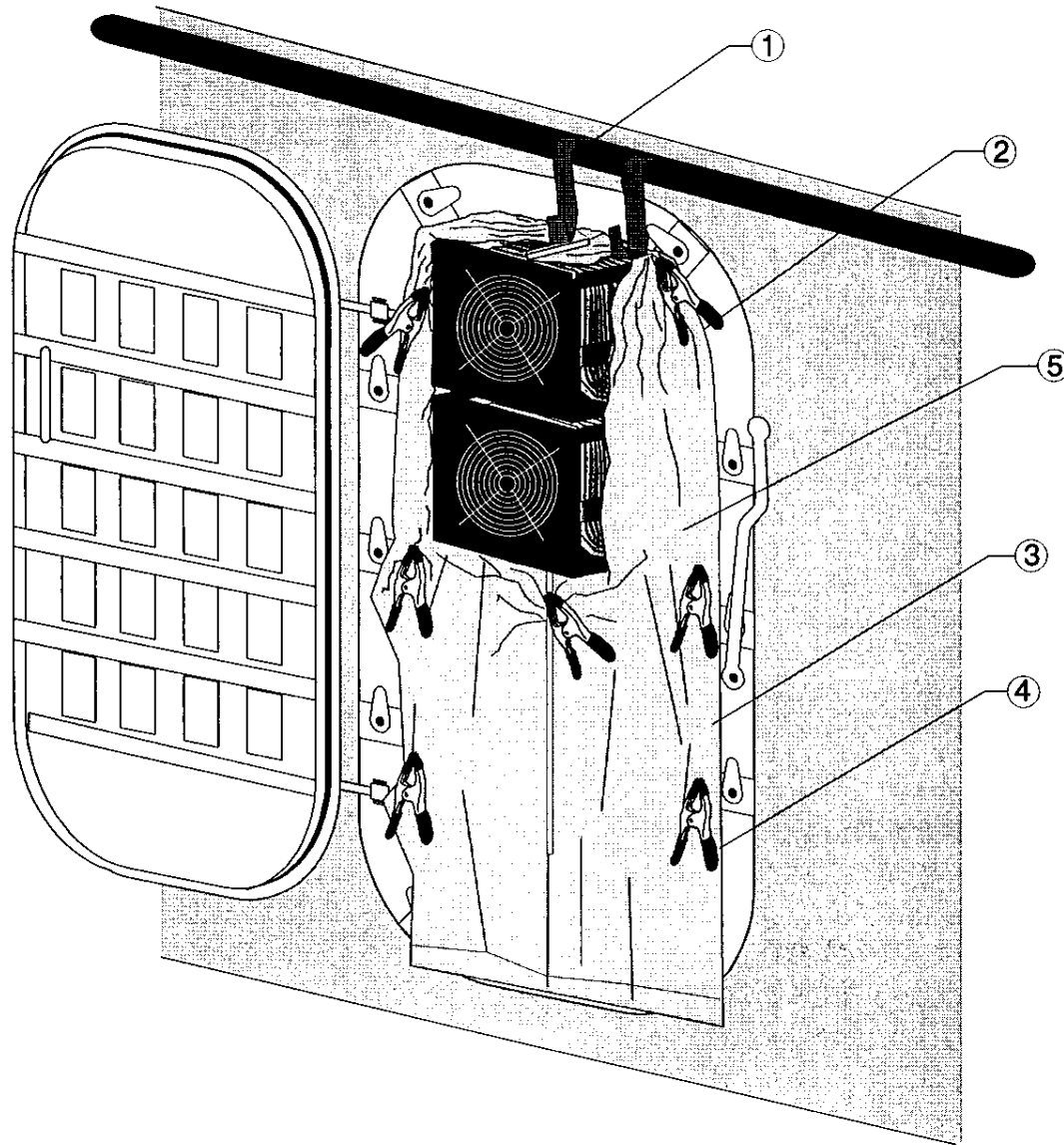


OR



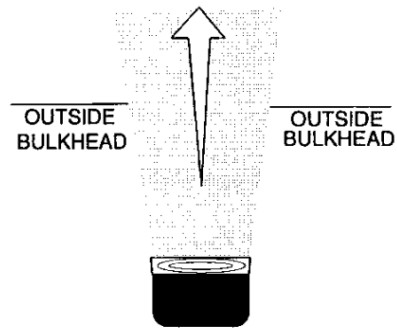
ITEM	QTY	EQUIPMENT
1	1	SMOKE CURTAIN
2	1	MEDIUM CAPACITY BOX FAN
3	2	HANGING DEVICE
4	AR	SMOKE CURTAIN CLAMPS
5	1	EXPANDABLE DOOR BAR

DESMOKING EVOLUTION - SKETCH #005
Using Box Fan Hung Across Watertight Door with Smoke Curtain



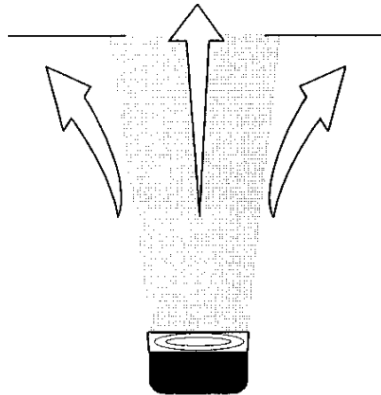
ITEM	QTY	EQUIPMENT
1	2	S-HOOKS OR BUNGI CORD
2	2	MEDIUM CAPACITY BOX FAN
3	1	SMOKE CURTAIN
4	AR	SMOKE CURTAIN CLAMPS
5	2	SADDLES FOR STACKING FANS

DESMOKING EVOLUTION - SKETCH #006
Using Two Fans Hung from Top of Watertight Door with Smoke Curtain



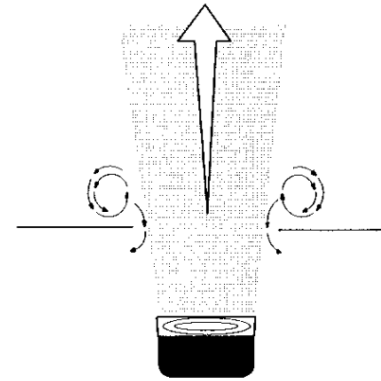
CORRECT:

Fan placed far enough away from door fills doorway with cone of air and increases fan effectiveness.



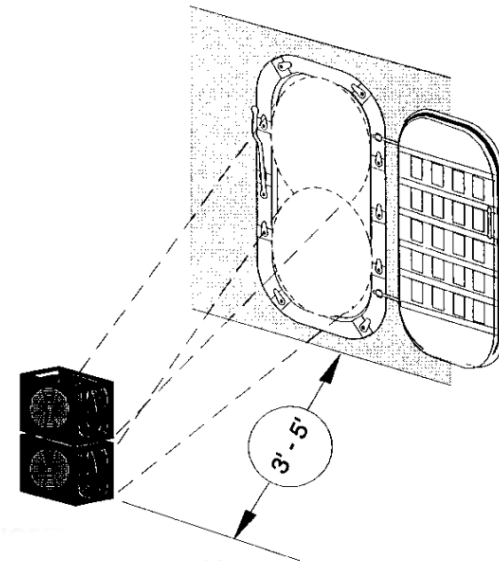
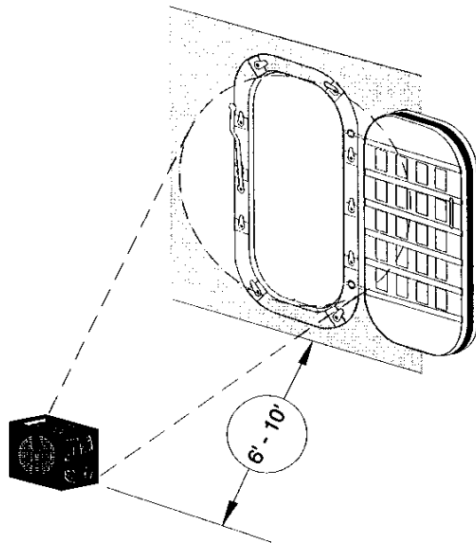
WRONG:

Fan placed too **FAR** from opening causes air supply to deflect.



WRONG:

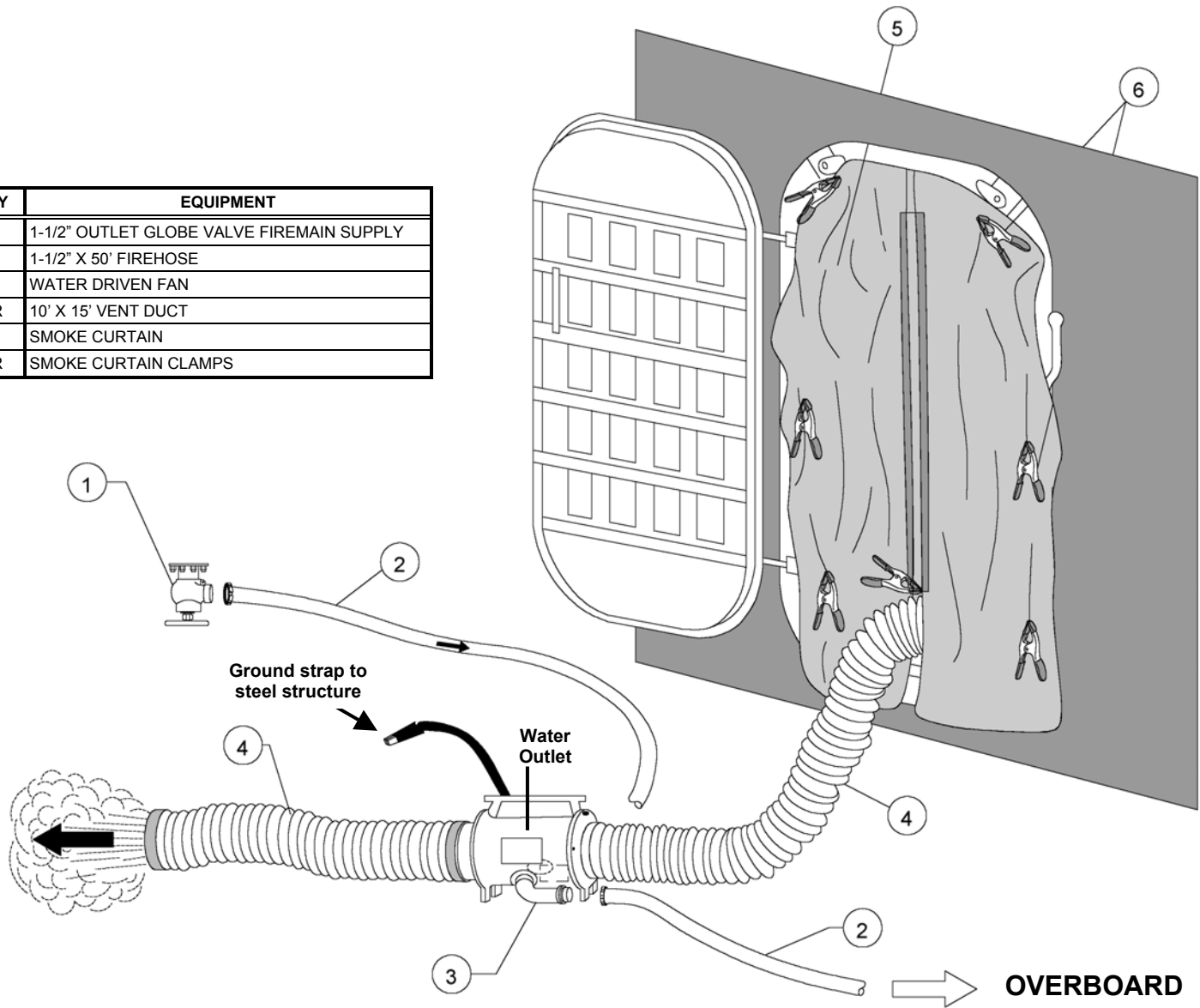
Fan placed too **CLOSE** to opening causes re-circulation possibilities to exist.



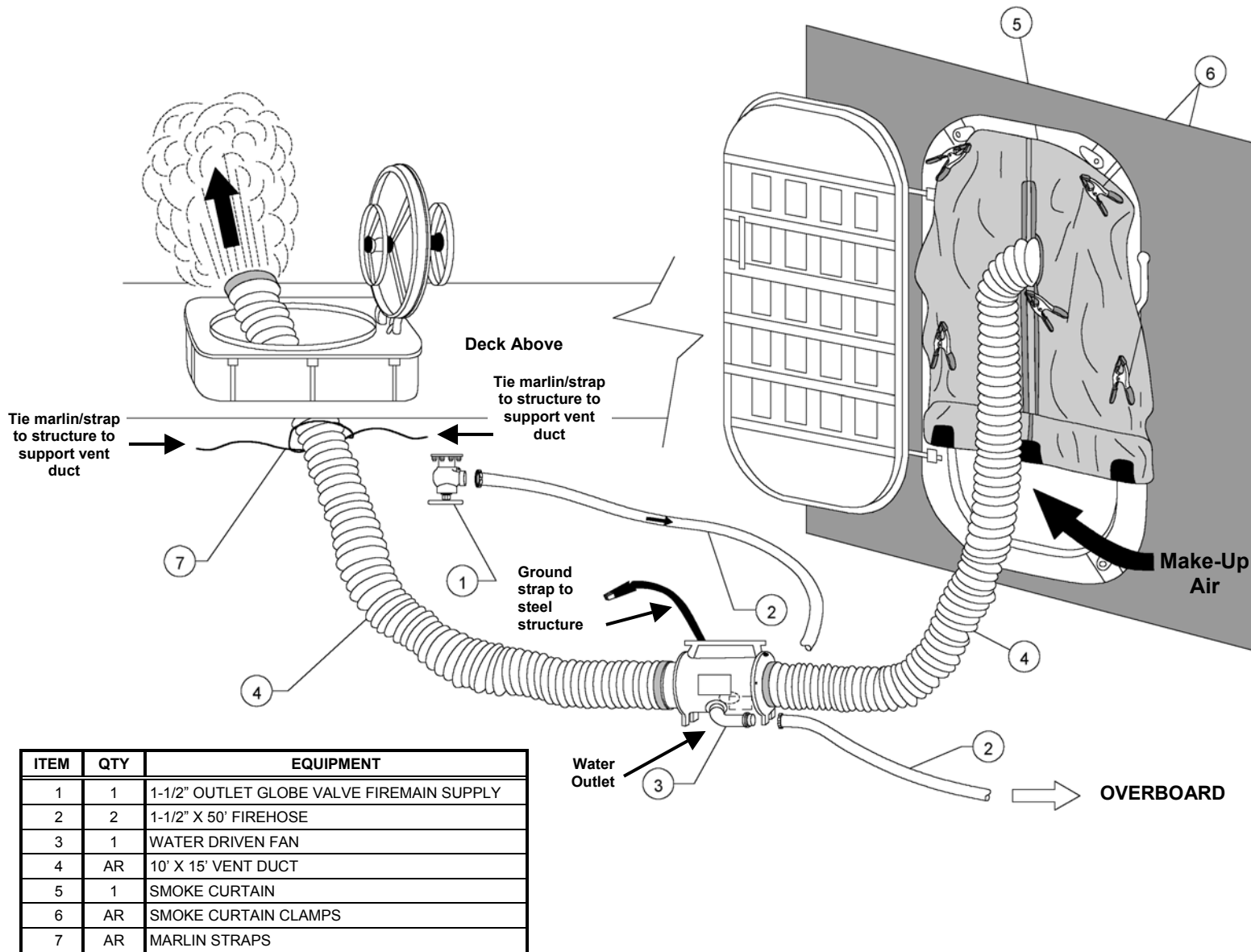
DESMOKING EVOLUTION - SKETCH #007

Optimum Placement of Desmoking Fans from Door (Seal Door Using Fan's Air)

ITEM	QTY	EQUIPMENT
1	1	1-1/2" OUTLET GLOBE VALVE FIREMAIN SUPPLY
2	2	1-1/2" X 50' FIREHOSE
3	1	WATER DRIVEN FAN
4	AR	10' X 15' VENT DUCT
5	1	SMOKE CURTAIN
6	AR	SMOKE CURTAIN CLAMPS

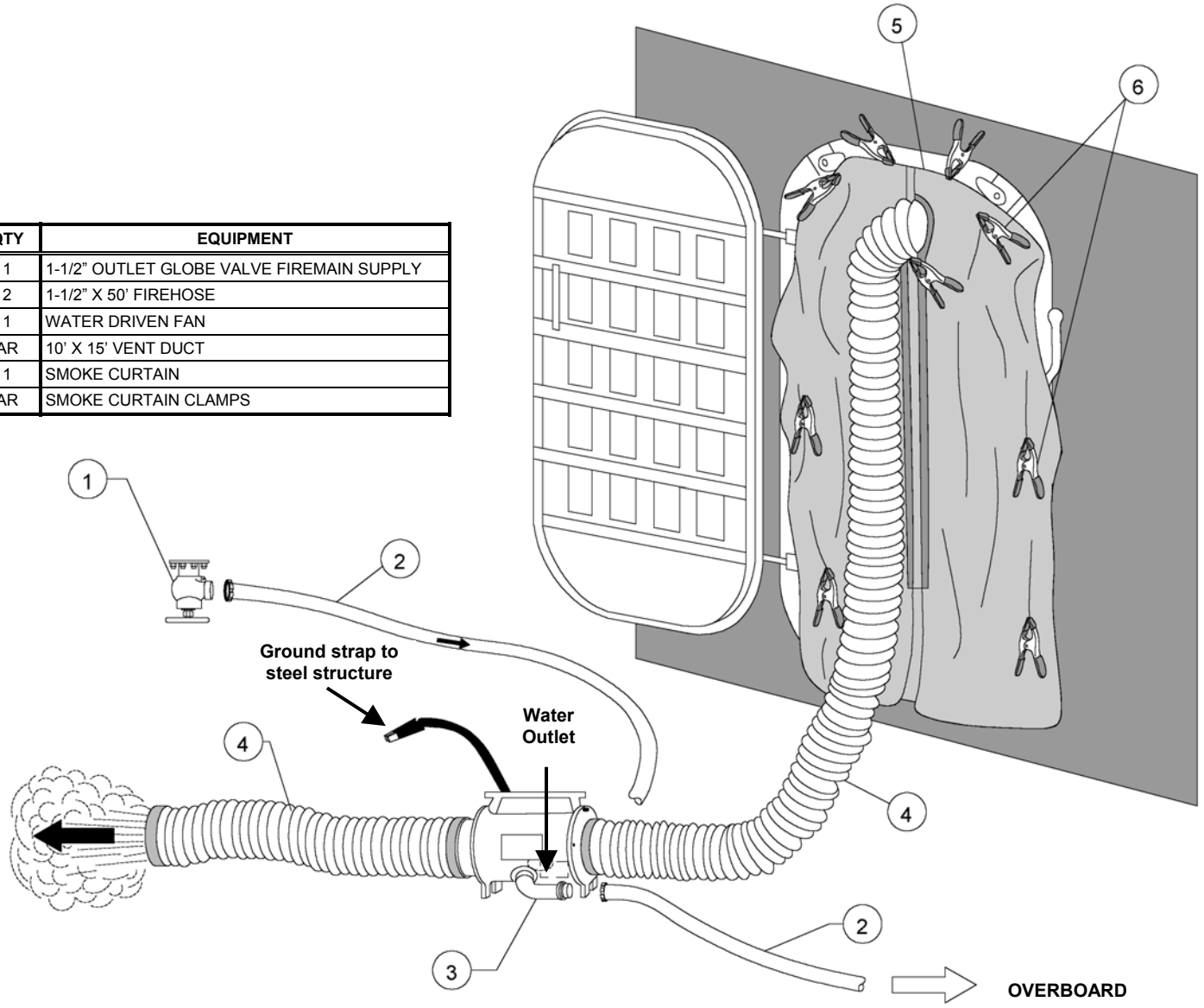


DESMOKING EVOLUTION - SKETCH #008
Desmoking with Water Driven Fan Placed Adjacent to Smoke-Filled Compartment



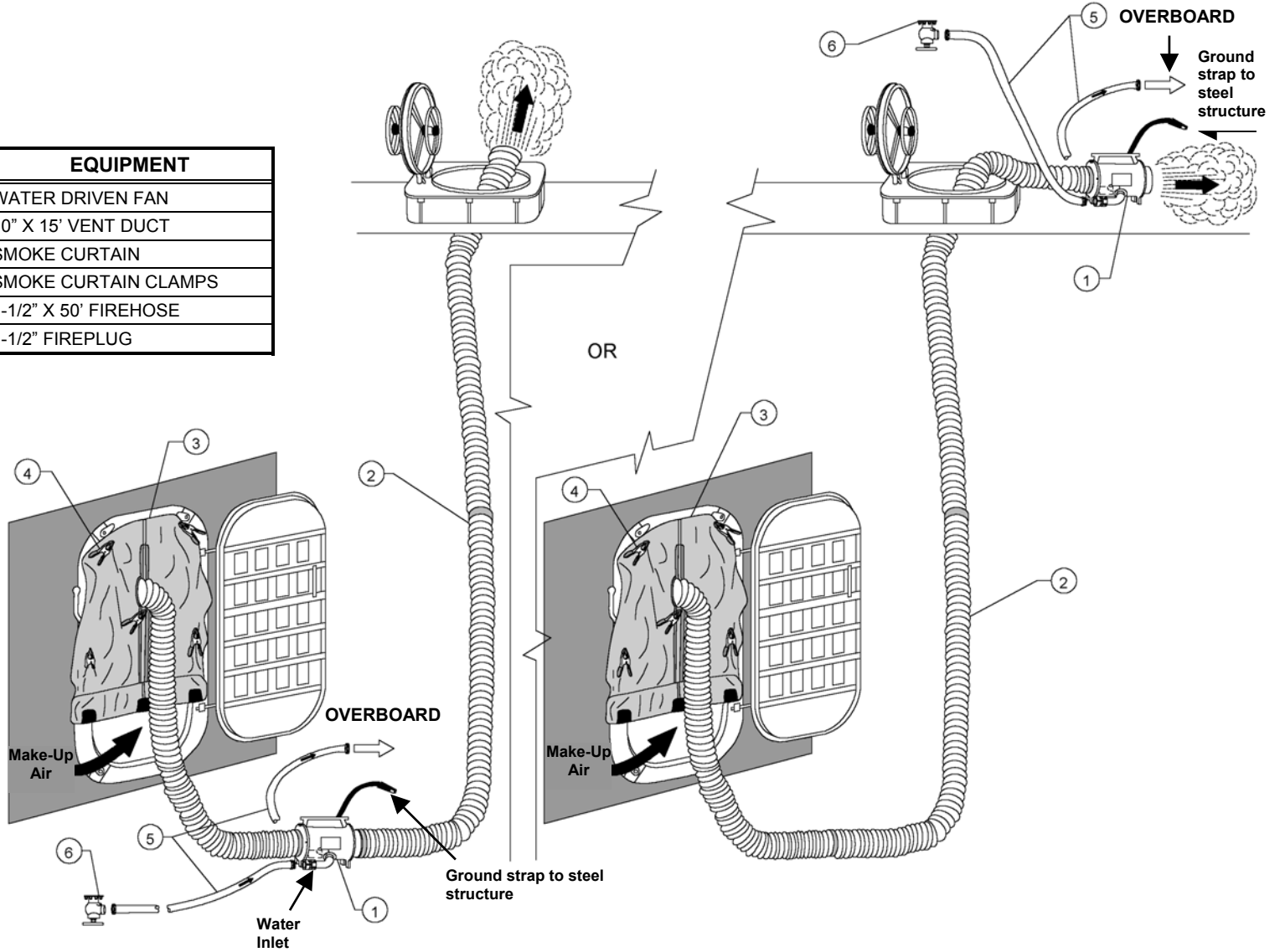
DESMOKING EVOLUTION - SKETCH #009
Using Water Driven Fan Placed Adjacent to Smoke-Filled Compartment and Vent Duct Exhausting Through Scuttle to Weather Deck

ITEM	QTY	EQUIPMENT
1	1	1-1/2" OUTLET GLOBE VALVE FIREMAIN SUPPLY
2	2	1-1/2" X 50' FIREHOSE
3	1	WATER DRIVEN FAN
4	AR	10' X 15' VENT DUCT
5	1	SMOKE CURTAIN
6	AR	SMOKE CURTAIN CLAMPS



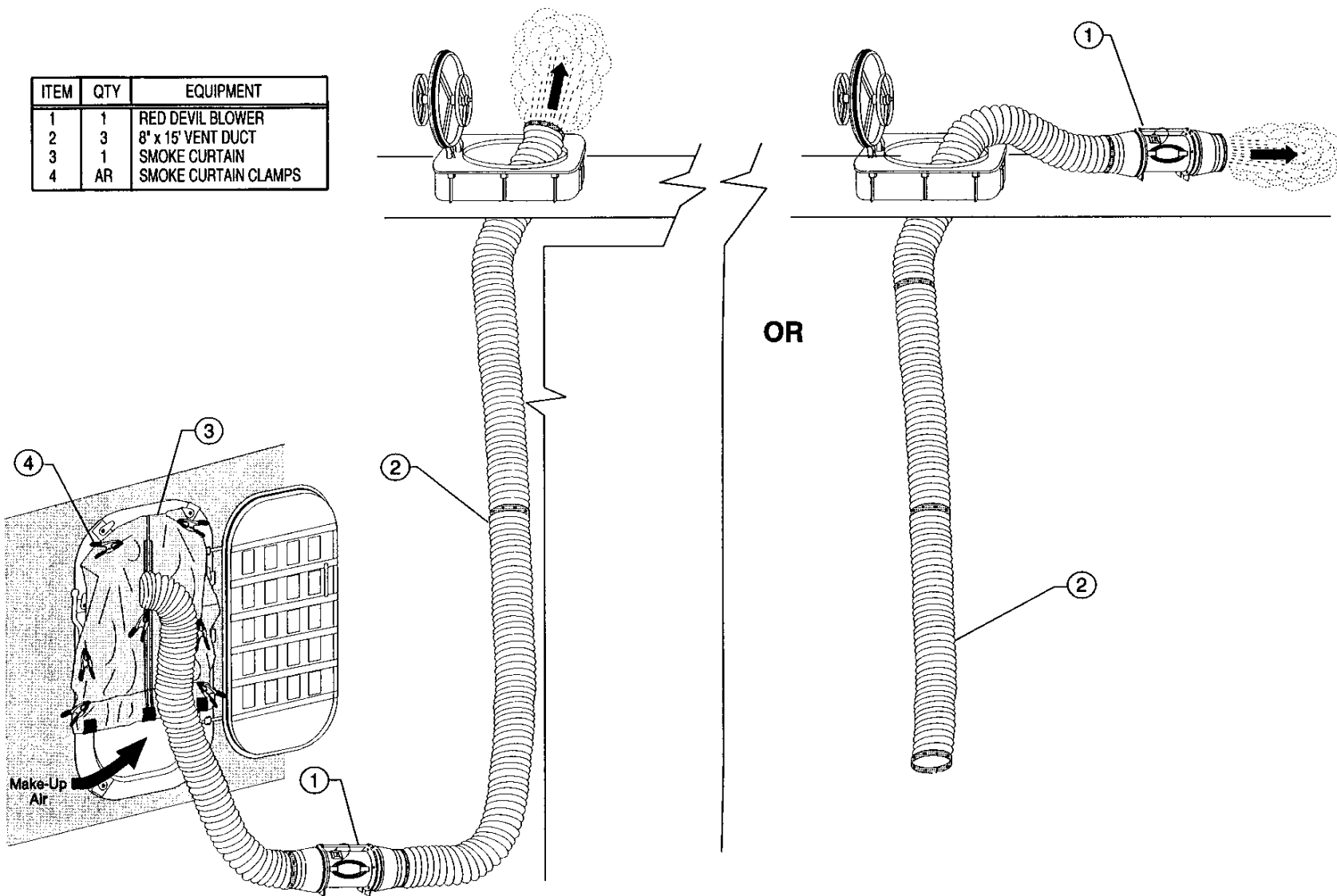
DESMOKING EVOLUTION - SKETCH #010
Desmoking with Water Driven Fan Placed Adjacent to Smoke-Filled Compartment

ITEM	QTY	EQUIPMENT
1	1	WATER DRIVEN FAN
2	3	10" X 15' VENT DUCT
3	1	SMOKE CURTAIN
4	AR	SMOKE CURTAIN CLAMPS
5	2	1-1/2" X 50' FIREHOSE
6	1	1-1/2" FIREPLUG



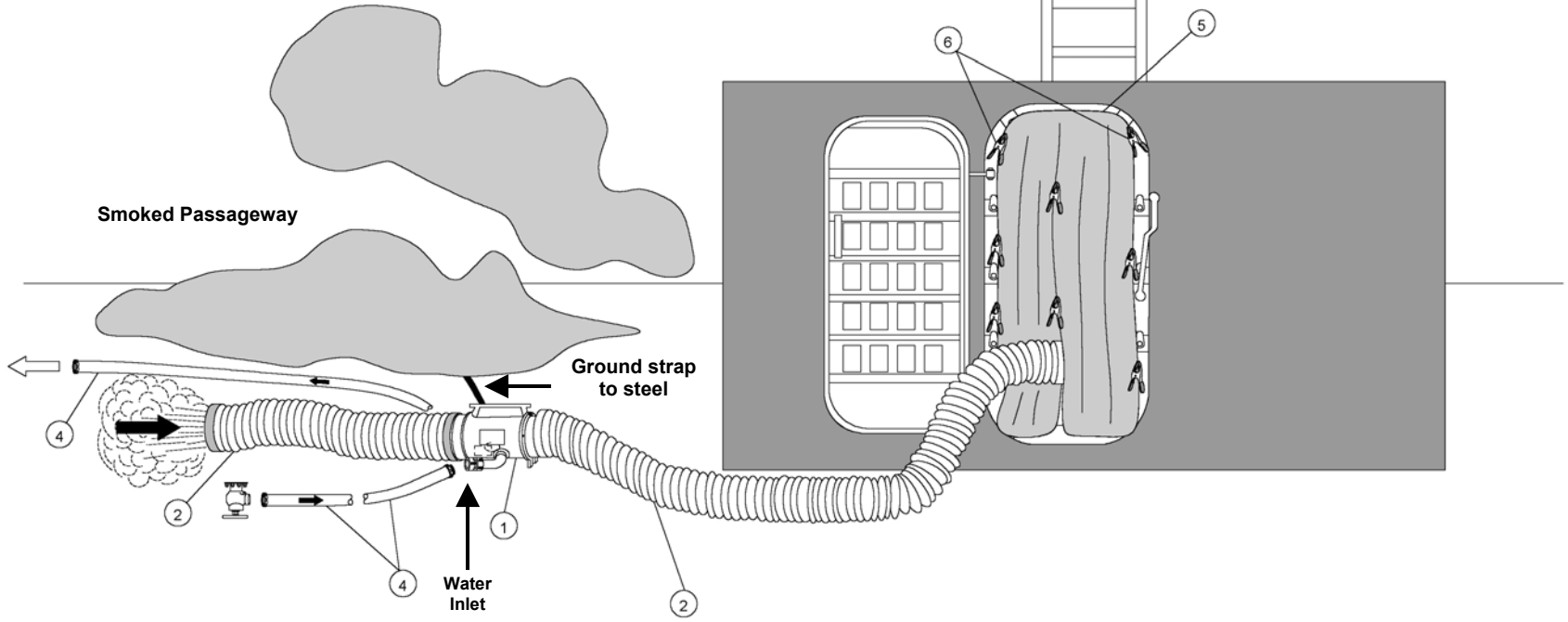
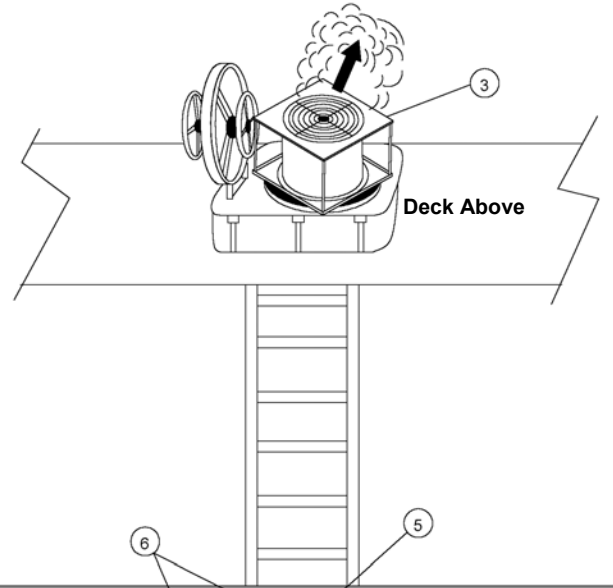
DESMOKING EVOLUTION - SKETCH #011
Using Water Driven Fan Placed on Weather Deck or Below Adjacent to Smoked Compartment

ITEM	QTY	EQUIPMENT
1	1	RED DEVIL BLOWER
2	3	8" x 15' VENT DUCT
3	1	SMOKE CURTAIN
4	AR	SMOKE CURTAIN CLAMPS



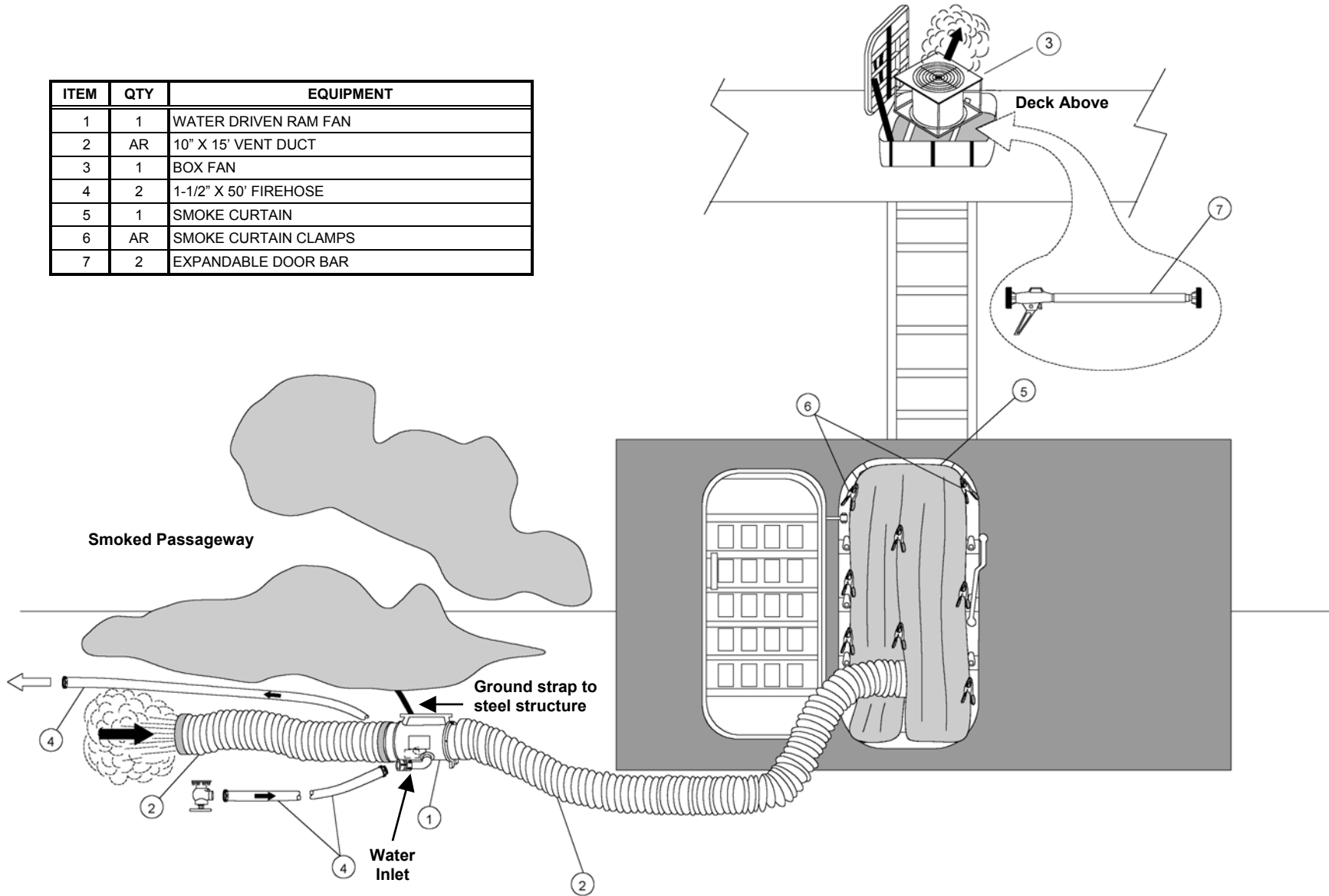
DESMOKING EVOLUTION - SKETCH #012
Using Red Devil Blower Placed on Weather Deck or Below Adjacent to Smoked Compartment

ITEM	QTY	EQUIPMENT
1	1	WATER DRIVEN RAM FAN
2	AR	10' X 15' VENT DUCT
3	1	BOX FAN
4	2	1-1/2" X 50' FIREHOSE
5	1	SMOKE CURTAIN
6	AR	SMOKE CURTAIN CLAMPS

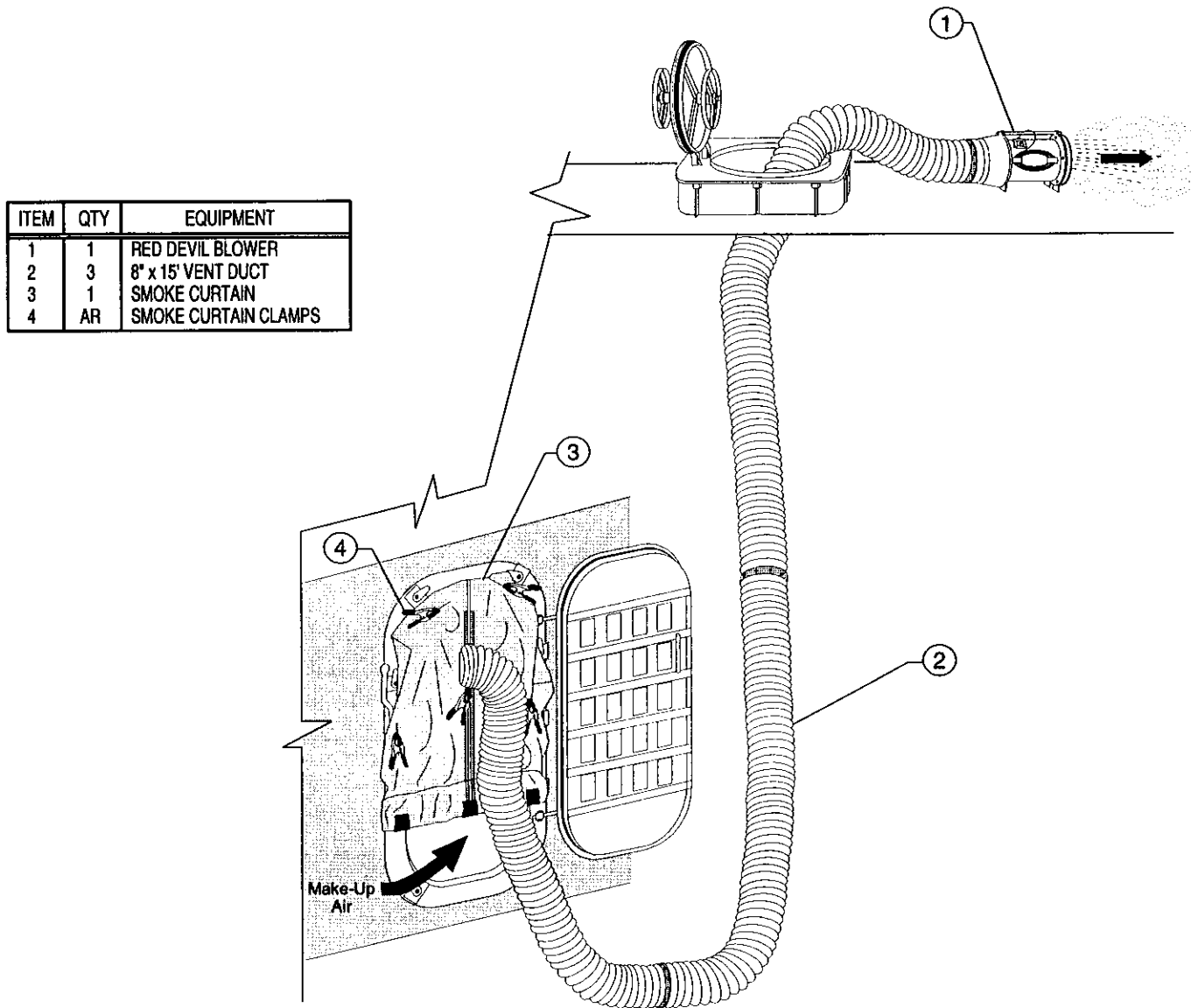


DESMOKING EVOLUTION - SKETCH #013
Using Water Driven Fan to Desmoke Compartment with Box Fan on Scuttle

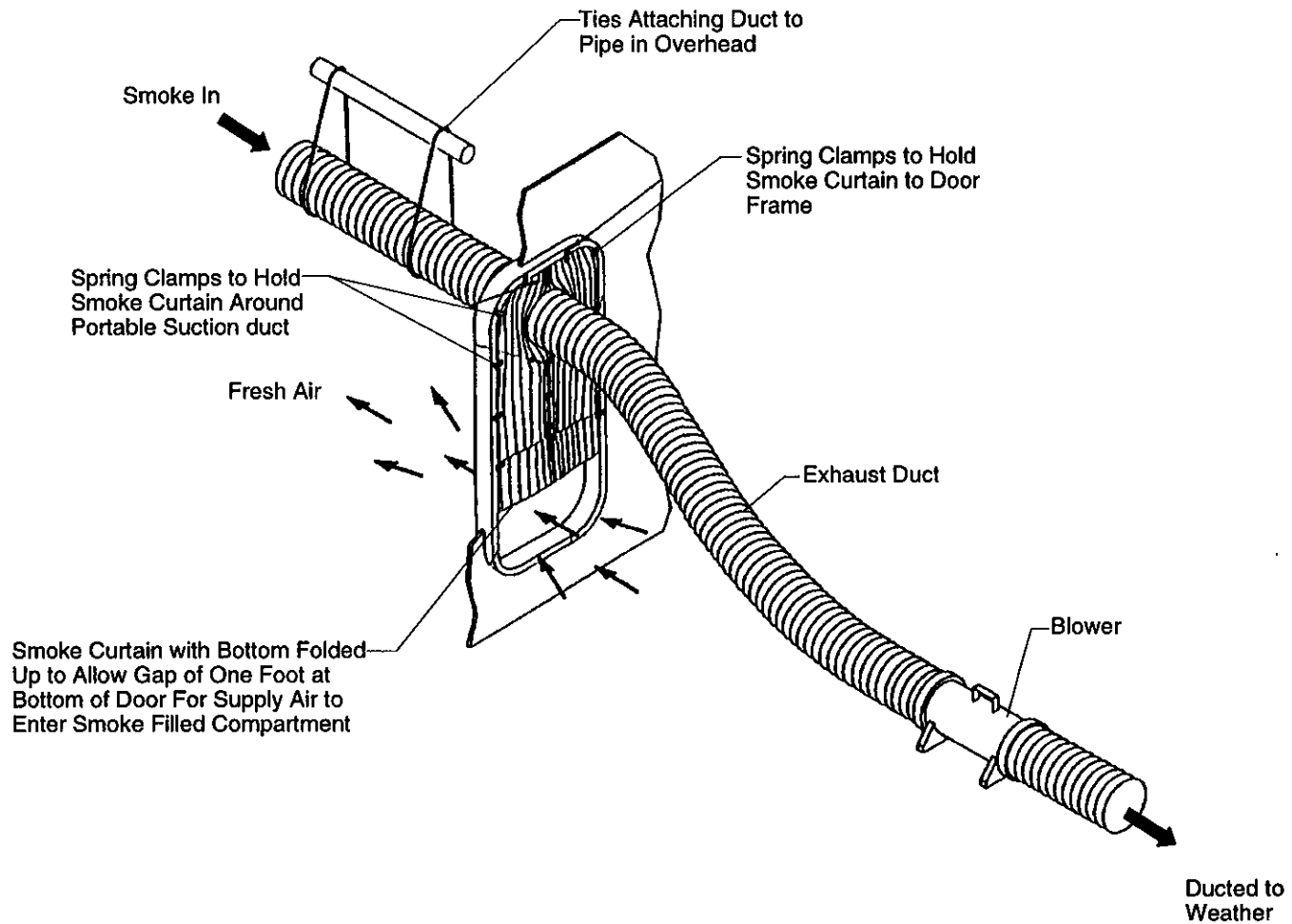
ITEM	QTY	EQUIPMENT
1	1	WATER DRIVEN RAM FAN
2	AR	10" X 15' VENT DUCT
3	1	BOX FAN
4	2	1-1/2" X 50' FIREHOSE
5	1	SMOKE CURTAIN
6	AR	SMOKE CURTAIN CLAMPS
7	2	EXPANDABLE DOOR BAR



DESMOKING EVOLUTION - SKETCH #014
Using Water Driven Fan to Desmoke Compartment with Box Fan on Hatch

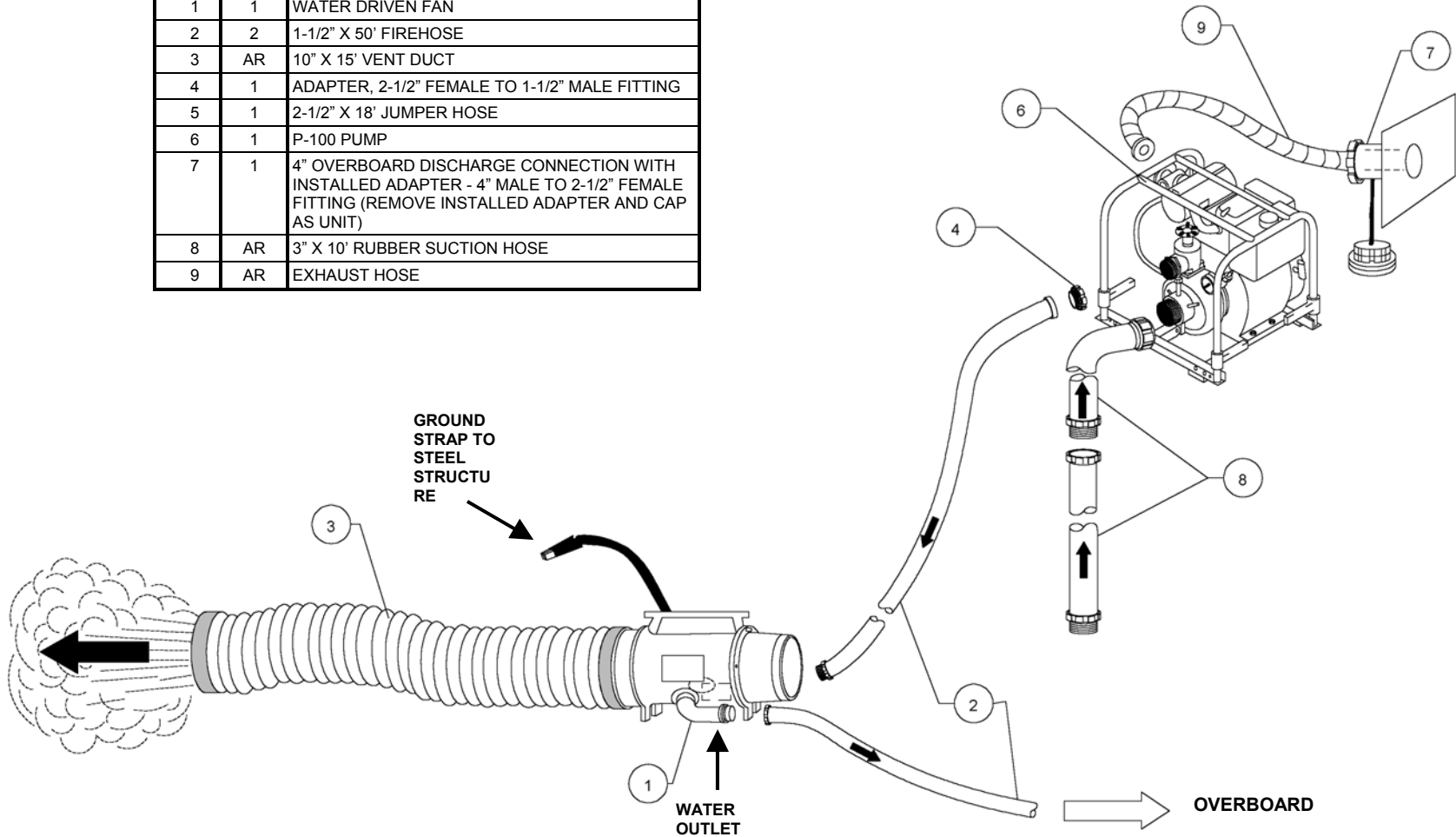


DESMOKING EVOLUTION - SKETCH #015
Using Red Devil Blower Placed on Weather Deck



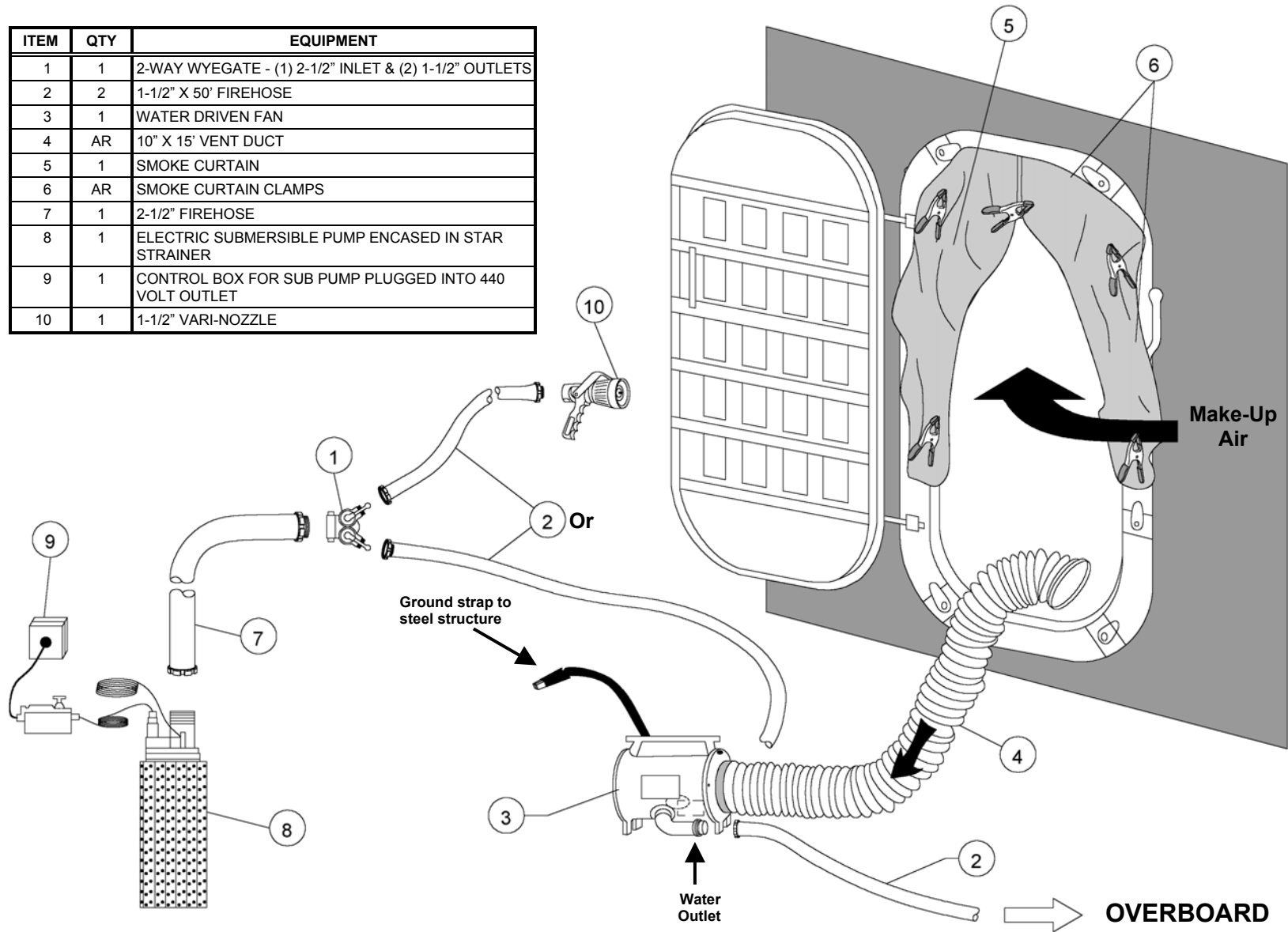
DESMOKING EVOLUTION - SKETCH #016
Showing Portable Suction Duct Through the Smoke Curtain Located in Door Frame

ITEM	QTY	EQUIPMENT
1	1	WATER DRIVEN FAN
2	2	1-1/2" X 50' FIREHOSE
3	AR	10" X 15' VENT DUCT
4	1	ADAPTER, 2-1/2" FEMALE TO 1-1/2" MALE FITTING
5	1	2-1/2" X 18' JUMPER HOSE
6	1	P-100 PUMP
7	1	4" OVERBOARD DISCHARGE CONNECTION WITH INSTALLED ADAPTER - 4" MALE TO 2-1/2" FEMALE FITTING (REMOVE INSTALLED ADAPTER AND CAP AS UNIT)
8	AR	3" X 10' RUBBER SUCTION HOSE
9	AR	EXHAUST HOSE

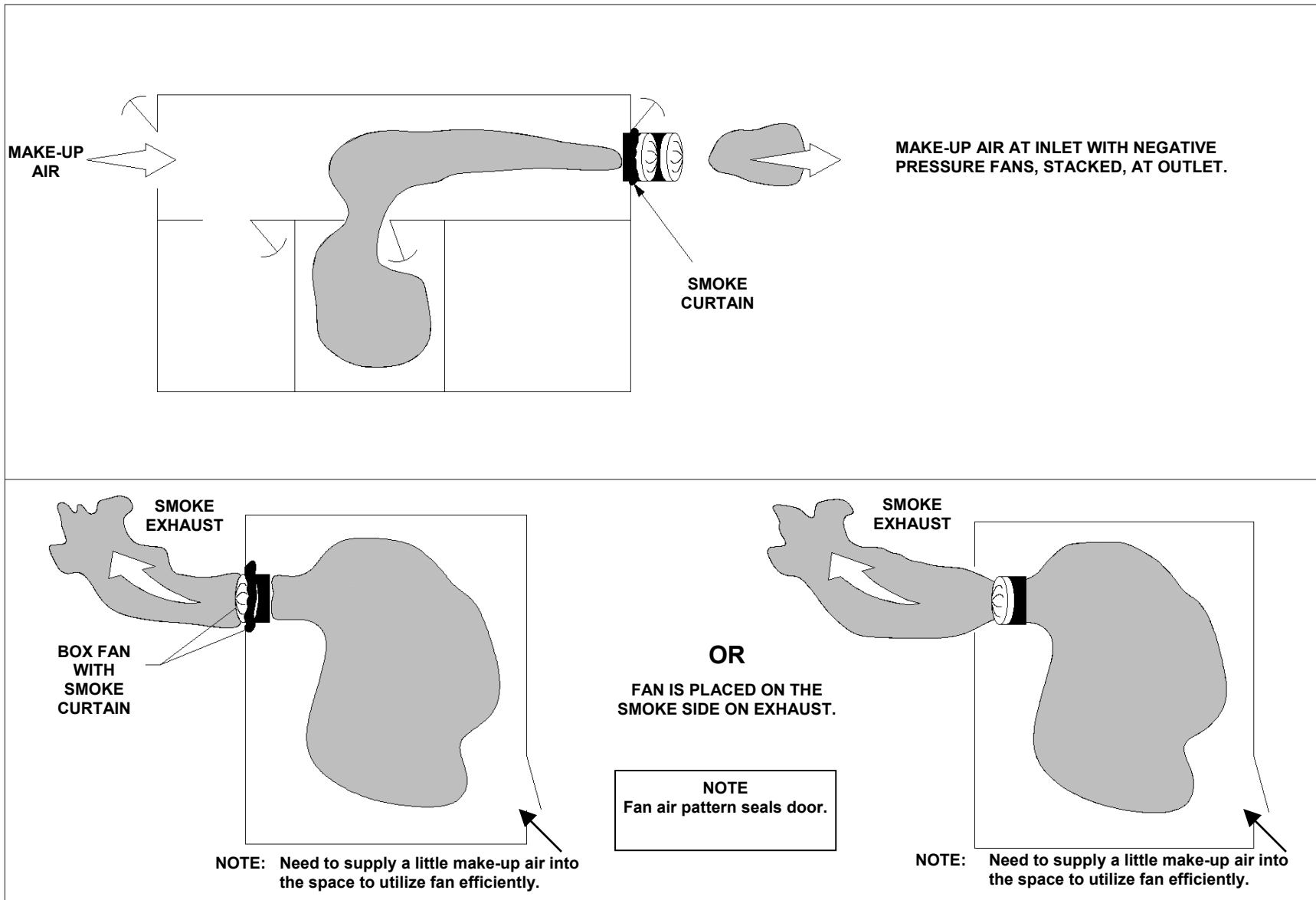


DESMOKING EVOLUTION - SKETCH #017
Desmoking from Weather Deck or Clear Space with Water Driven Fan Actuated by P-100 Pump

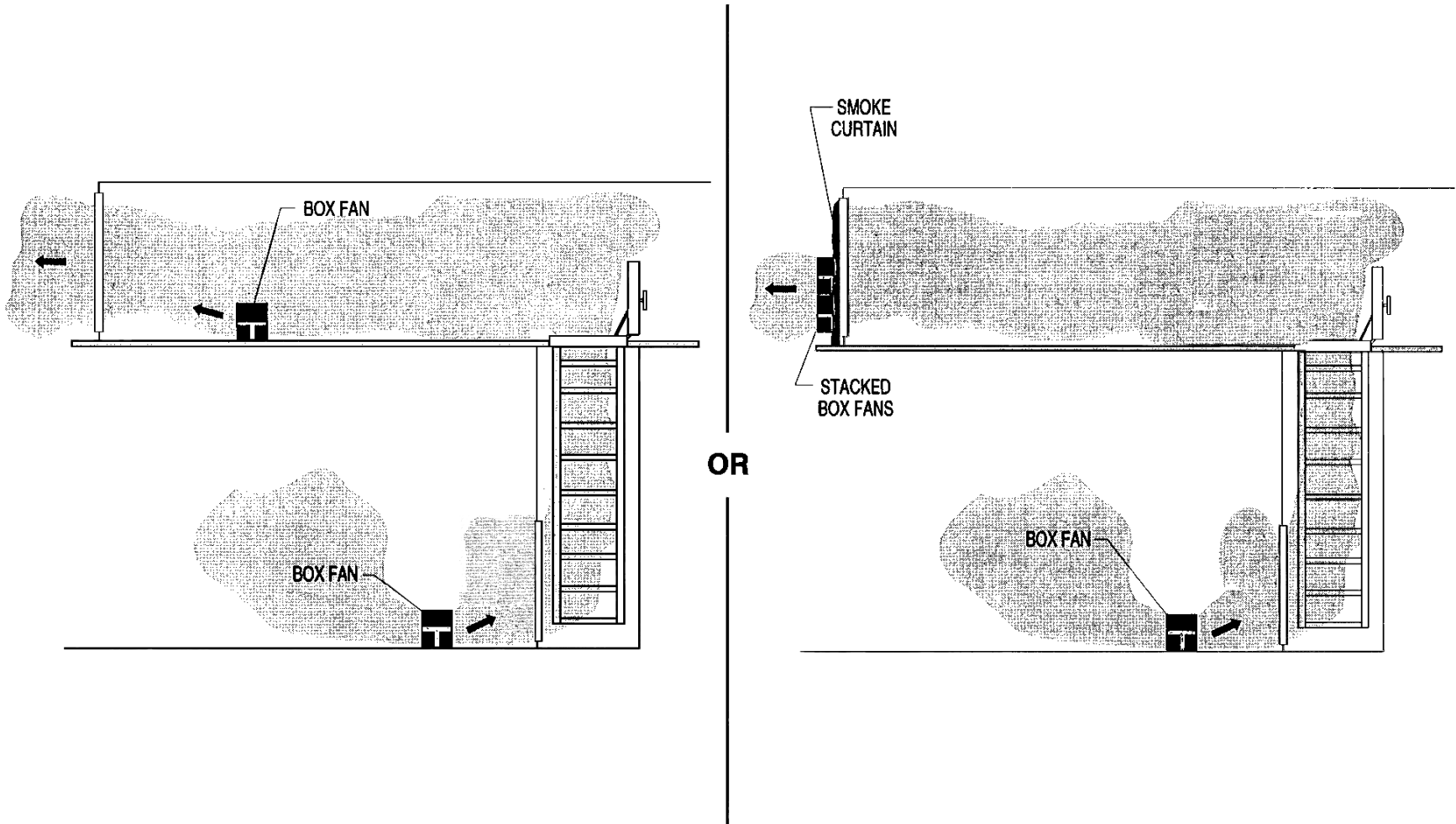
ITEM	QTY	EQUIPMENT
1	1	2-WAY WYEGATE - (1) 2-1/2" INLET & (2) 1-1/2" OUTLETS
2	2	1-1/2" X 50' FIREHOSE
3	1	WATER DRIVEN FAN
4	AR	10" X 15' VENT DUCT
5	1	SMOKE CURTAIN
6	AR	SMOKE CURTAIN CLAMPS
7	1	2-1/2" FIREHOSE
8	1	ELECTRIC SUBMERSIBLE PUMP ENCASED IN STAR STRAINER
9	1	CONTROL BOX FOR SUB PUMP PLUGGED INTO 440 VOLT OUTLET
10	1	1-1/2" VARI-NOZZLE



DESMOKING EVOLUTION - SKETCH #018
Using Electric Subpump Supplying Water Driven Fan or 1-1/2" Firehose



DESMOKING EVOLUTION - SKETCH #019
Using Box Fans - Stacked Negative Ventilation



DESMOKING EVOLUTION - SKETCH #020
Desmoking Passageway Through Escape Trunk Using Box Fans in Negative Pressure