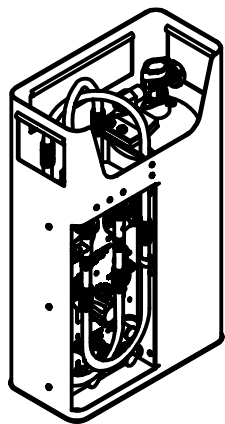


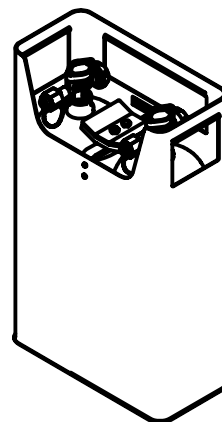
DAMAGE CONTROL LAYOUT SKETCHES

SECTION 17 – GAS FREE (IMMEDIATELY DANGEROUS TO LIFE AND HEALTH [IDLH]) EVOLUTIONS

SKETCH NO.	TITLE OF SKETCH	SHEET NO.
001	Supplied Air Respirator with Self-Contained Breathing Apparatus (SAR/SCBA) Components	17-2
002	Supplied Air Respirator with Self-Contained Breathing Apparatus (SAR/SCBA) System Layout	17-3
003	GFE Team Outfitted with Supplied Air Respirator with Self-Contained Breathing Apparatus (SAR/SCBA)	17-4
004	Draeger Aerotest Simulation HP Breathing Air Tester	17-5
005	Four Gas Analyzer	17-6

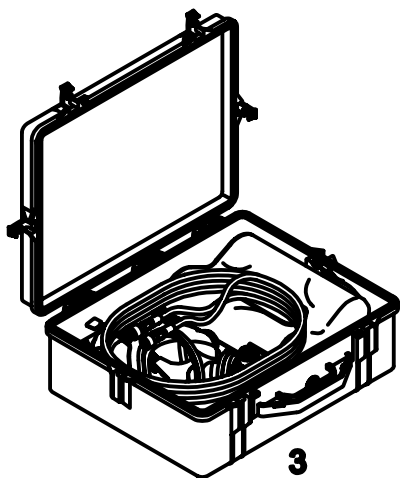


1

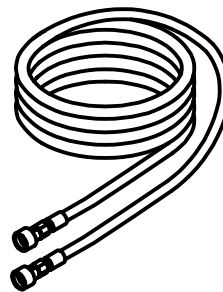


2

ITEM	EQUIPMENT
1	PRIMARY AIR SUPPLY PACK (PASP)
2	RESERVE AIR SUPPLY PACK (RASP)
3	SELF-CONTAINED BREATHING APPARATUS (SCBA)
4	AIR SUPPLY HOSE

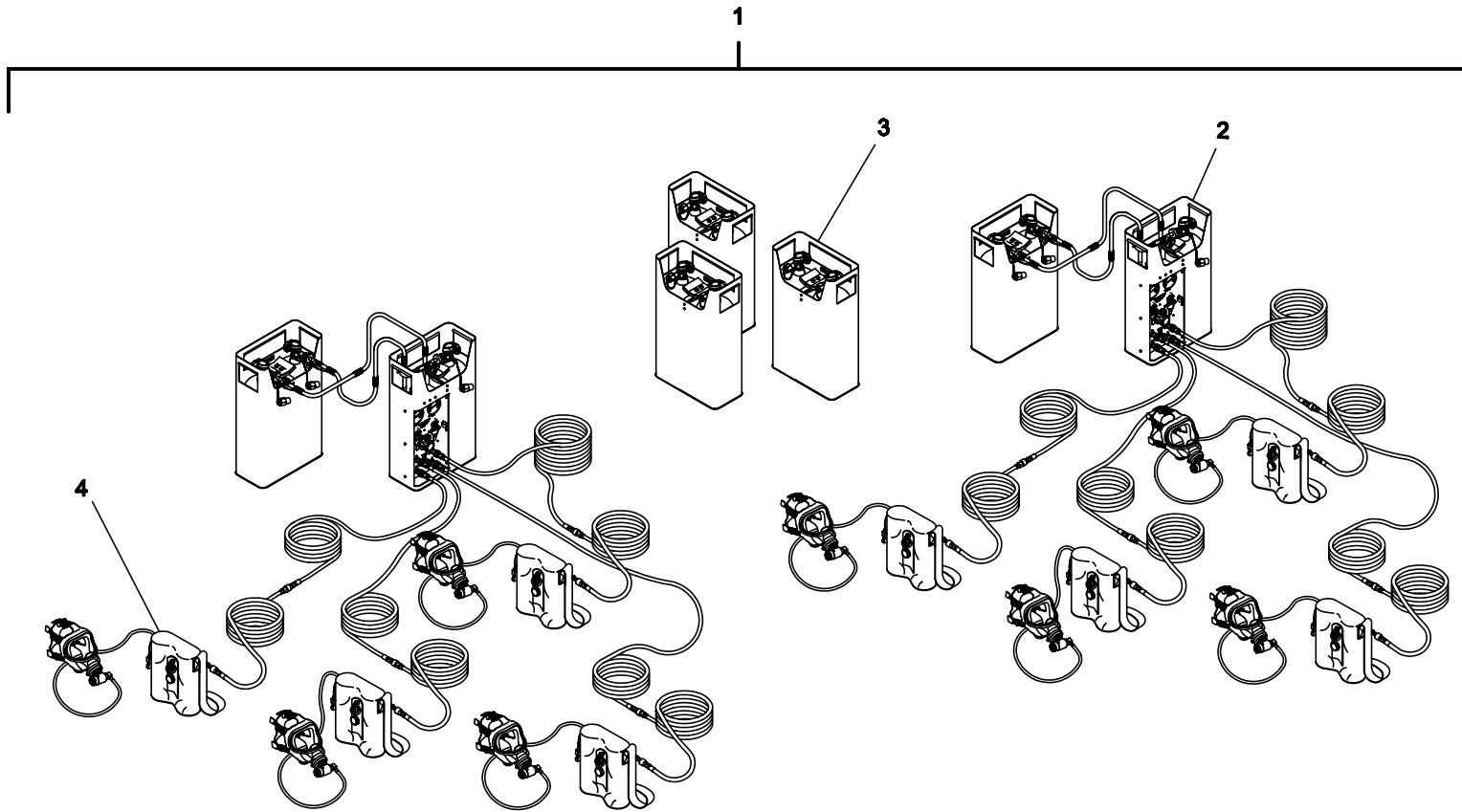


3



4

**GAS FREE (IMMEDIATELY DANGEROUS TO LIFE AND HEALTH [IDLH])EVOLUTIONS - SKETCH #001
Supplied Air Respirator with Self-Contained Breathing Apparatus (SAR/SCBA) Components**

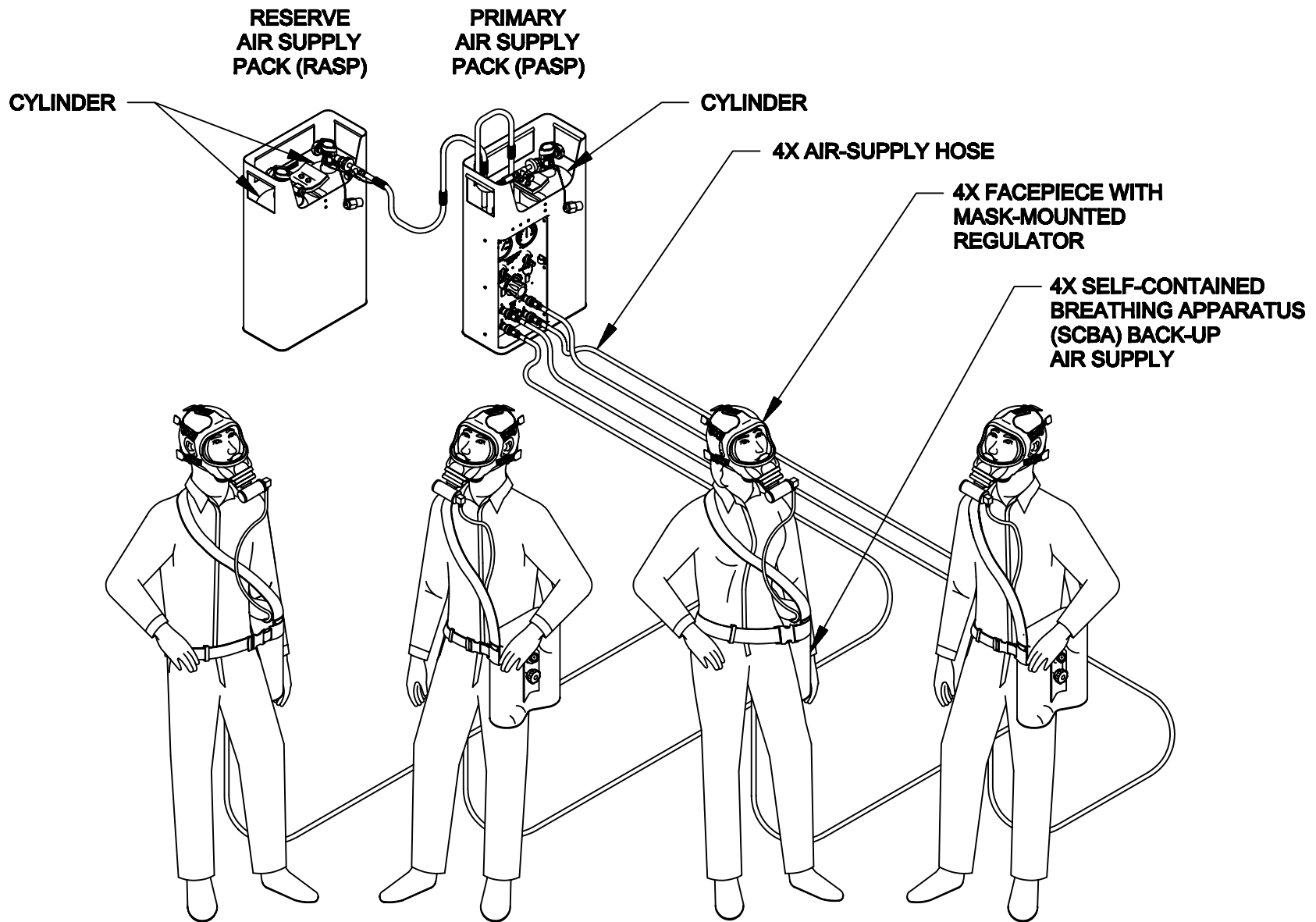


EMERGENCY RESCUE TEAM

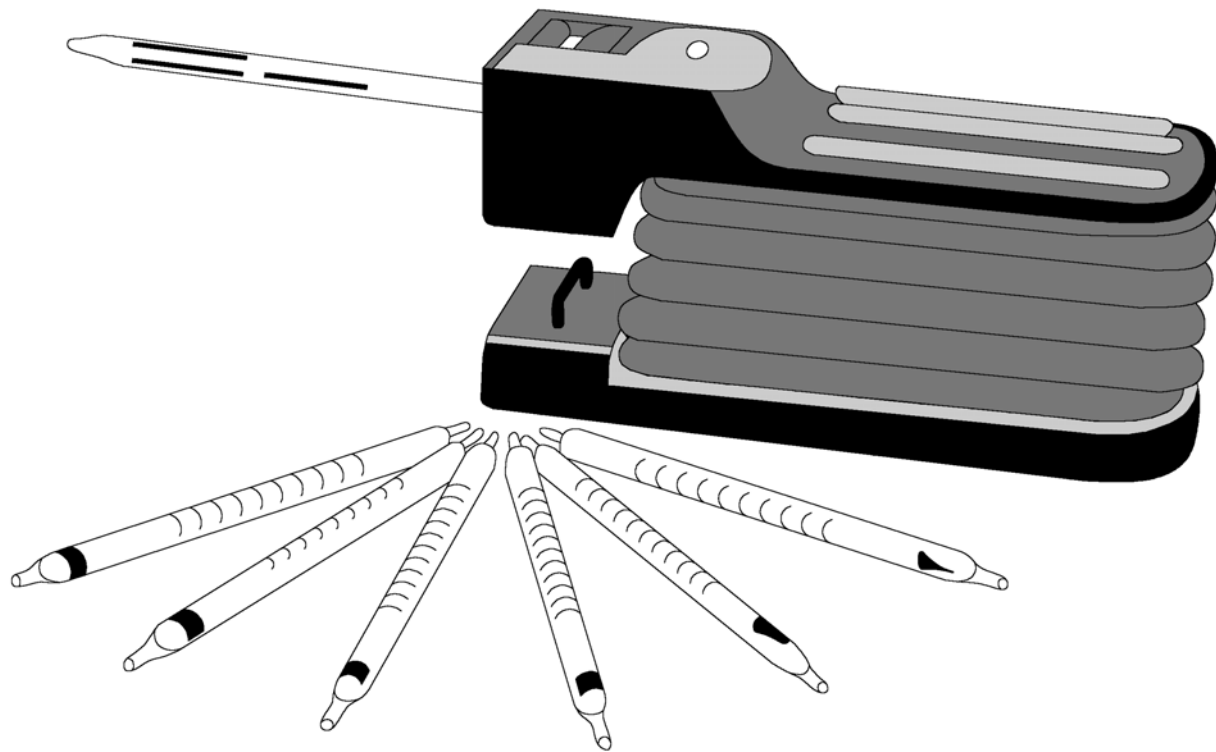
GFE INSPECTION TEAM

ITEM	QTY	EQUIPMENT
1	1	SUPPLIED AIR RESPIRATOR WITH SELF-CONTAINED BREATHING APPARATUS (SAR/SCBA)
2	2	PRIMARY AIR SUPPLY PACK (PASP)
3	5	RESERVE AIR SUPPLY PACK (RASP)
4	8	SELF-CONTAINED BREATHING APPARATUS (SCBA)

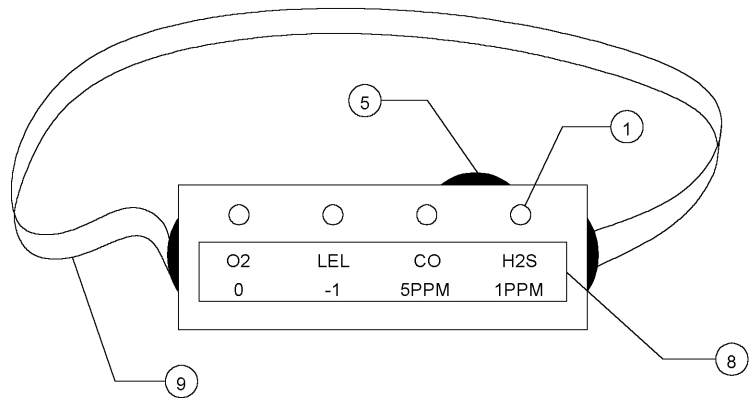
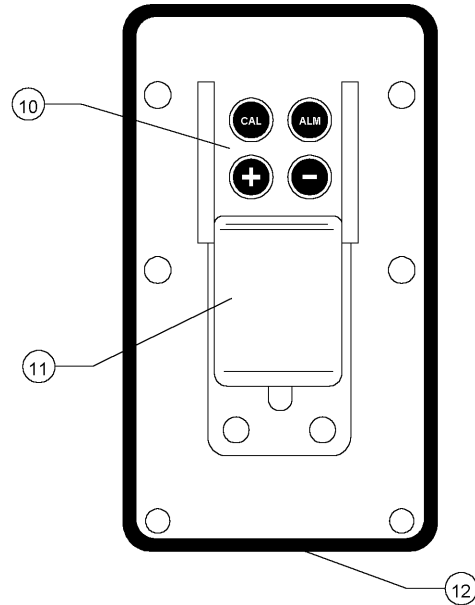
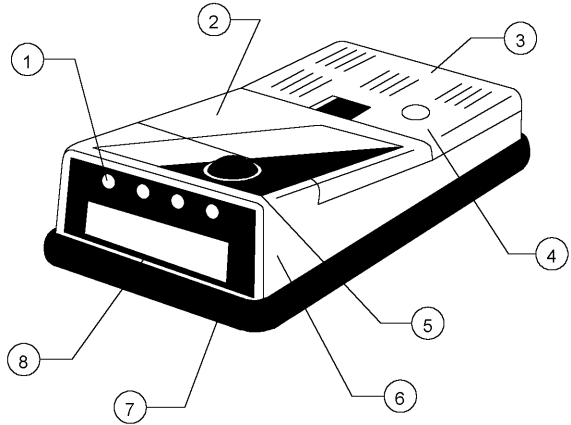
**GAS FREE (IMMEDIATELY DANGEROUS TO LIFE AND HEALTH [IDLH])EVOLUTIONS - SKETCH #002
Supplied Air Respirator with Self-Contained Breathing Apparatus (SAR/SCBA) System Layout**



**GAS FREE (IMMEDIATELY DANGEROUS TO LIFE AND HEALTH [IDLH])EVOLUTIONS - SKETCH #003
 GFE Team Outfitted with Supplied Air Respirator with Self-Contained Breathing Apparatus (SAR/SCBA)**



**GAS FREE (IMMEDIATELY DANGEROUS TO LIFE AND HEALTH [IDLH]) EVOLUTIONS - SKETCH #004
Draeger Aerotest Simulation HP Breathing Air Tester**



ITEM	EQUIPMENT
1	ALARM LIGHT
2	BATTERY PACK
3	SENSOR COMPARTMENT COVER
4	AUDIBLE ALARM
5	ON / OFF MODE BUTTON
6	CASE
7	PROTECTIVE PVC GASKET
8	LIQUID CRYSTAL DISPLAY (LCD)
9	NECK STRAP
10	KEYPAD
11	BELT CLIP
12	BATTERY CHARGER CONNECTOR (RECESSED)

**GAS FREE (IMMEDIATELY DANGEROUS TO LIFE AND HEALTH [IDLH]) EVOLUTIONS - SKETCH #005
Four Gas Analyzer**