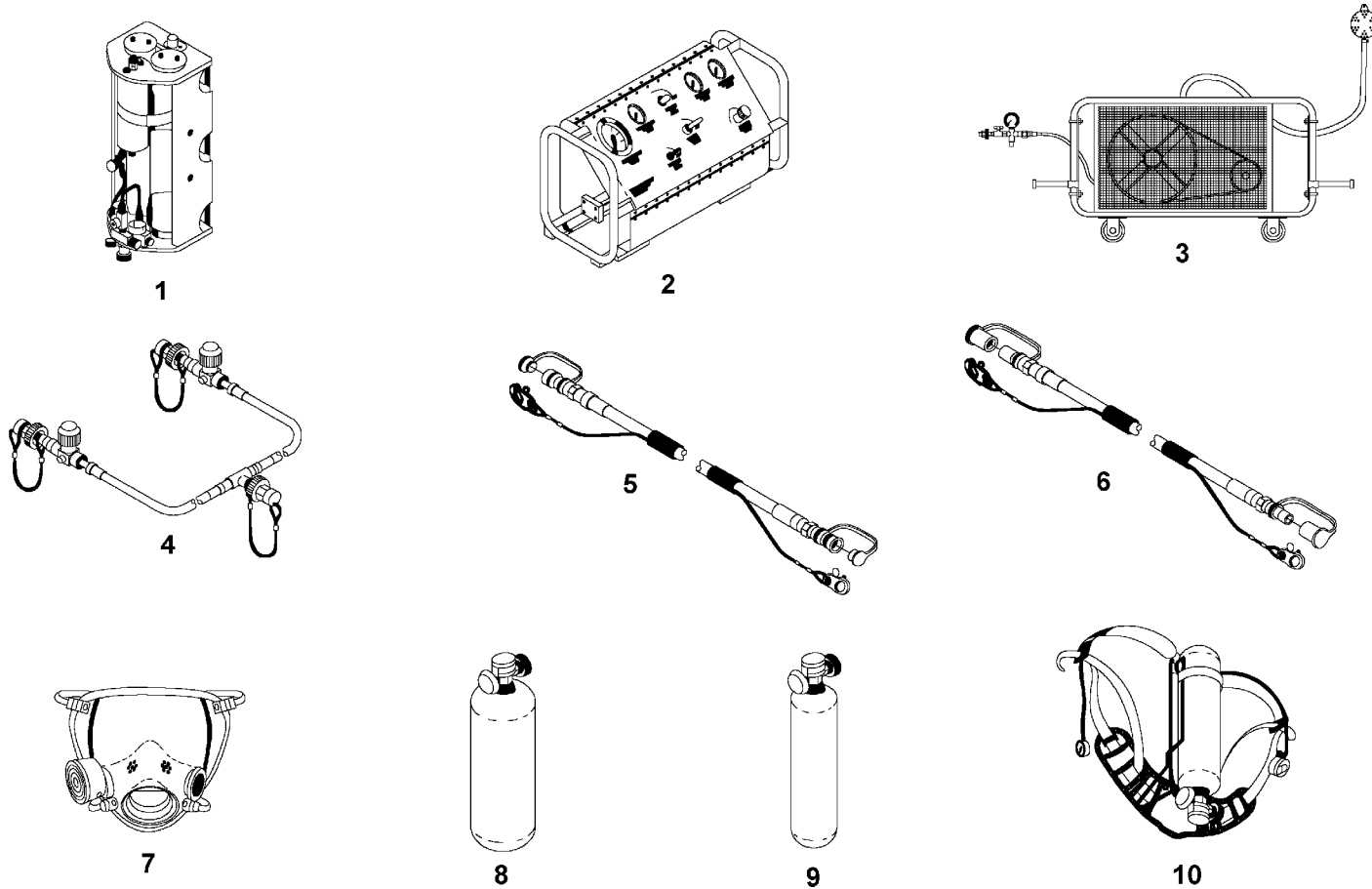


DAMAGE CONTROL LAYOUT SKETCHES

SECTION 16 – SELF-CONTAINED BREATHING APPARATUS (SCBA) CHARGING EVOLUTIONS

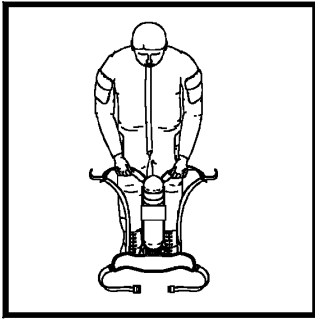
| SKETCH NO. | TITLE OF SKETCH | SHEET NO. |
|------------|---|-----------|
| 001 | Overall View of the SCBA Charging Components | 16-2 |
| 002 | Coat Style Method for Donning the SCOTT® Air-Pak® 4.5 (Sheet 1 of 2) | 16-3 |
| | Coat Style Method for Donning the SCOTT® Air-Pak® 4.5 (Sheet 2 of 2) | 16-4 |
| 003 | Over-The-Head Method for Donning the SCOTT® Air-Pak® 4.5 (Sheet 1 of 2) | 16-5 |
| | Over-The-Head Method for Donning the SCOTT® Air-Pak® 4.5 (Sheet 2 of 2) | 16-6 |
| 004 | Changing Out the SCBA Cylinders | 16-7 |
| 005 | Setup for Sampling Air with the Breathing Air Tester (BAT) | 16-8 |
| 006 | Charging the SCBA Cylinder Using the Breathing Air Charging System (BACS) | 16-9 |
| 007 | Charging the SCBA Cylinder Using the Breathing Air Compressor (BAC) | 16-10 |
| 008 | Breathing Air Compressor (BAC) | 16-11 |



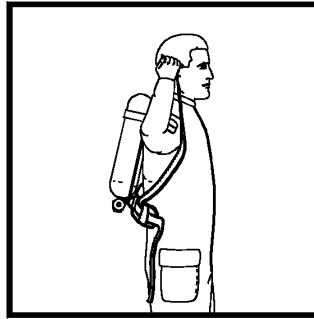
| ITEM | EQUIPMENT |
|------|--------------------------------------|
| 1 | high pressure filter assembly (hpfa) |
| 2 | air booster pump assembly (abpa) |
| 3 | portable compressor |
| 4 | filtered air supply hose assembly |
| 5 | drive air hose assembly |
| 6 | filtered air hose assembly |
| 7 | scba facepiece |
| 8 | 45 minute cylinder |
| 9 | 30 minute cylinder |
| 10 | scba with harness |

SELF-CONTAINED BREATHING APPARATUS (SCBA) CHARGING EVOLUTIONS - SKETCH #001
Overall View of the SCBA Charging Components

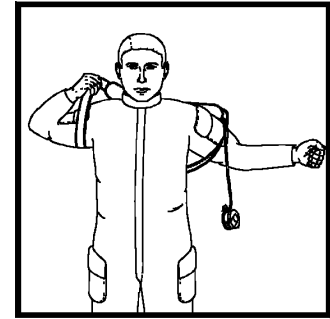
**IMPROPER USE OF THIS APPARATUS IN A HAZARDOUS ATMOSPHERE MAY RESULT IN INJURY OR DEATH.
PERSONNEL SHOULD RECEIVE ADEQUATE TRAINING PRIOR TO USE.**



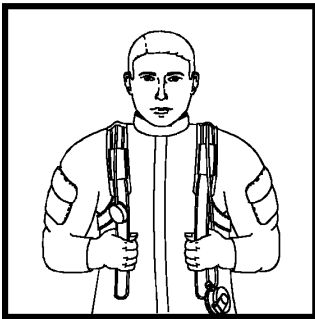
1. Position unit valve downward with air cylinder facing you. Grasp the inside edge of shoulder straps with palms facing inward.



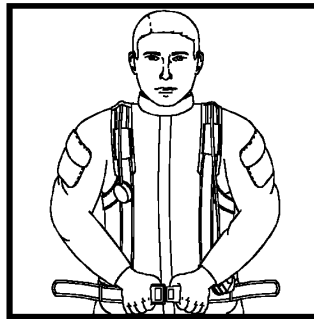
2. Swing unit up and onto your back from either side, making sure your elbow on that side extends through loop formed by shoulder strap.



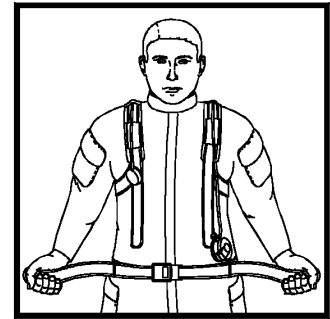
3. With unit on your back, extend free arm through loop formed by other shoulder strap.



4. Pull down on both shoulder straps to snug unit on your back.



5. Grasp buckles on waist belt, extend belt and fasten buckles.



6. Adjust belt for firm fit on hips by pulling on belt ends. Loosen shoulder straps slightly to carry weight on hips.

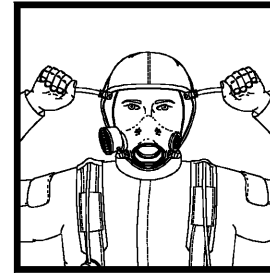
**SELF-CONTAINED BREATHING APPARATUS (SCBA) CHARGING EVOLUTIONS - SKETCH #002
Coat Style Method for Donning the SCOTT® Air-Pak® 4.5 (Sheet 1 of 2)**

7. Don facepiece with 4-point head harness as follows:

- A. Adjust head straps to full outward position.
- B. Hold head harness out of the way with one hand while placing facepiece on your face with your other hand. Ensure your chin is properly located in chin pocket.
- C. Pull head harness over your head and ensure straps are lying flat against your head and neck with no twist.



STEP 7D



STEP 7F

- D. Tighten neck straps by pulling the two lower strap ends toward rear of your head.
- E. Ensure neck strap is fully extended over back of your head. Retighten neck straps.
- F. Adjust temple straps by pulling the two upper strap ends toward the rear of your head. Overtightening may cause discomfort.
- G. Retighten neck straps if required.

NOTE: If leakage around face seal is detected, a different size facepiece may be required. Refer to your respirator instruction sheet for a listing of available facepiece sizes, options and part numbers.



STEP 8

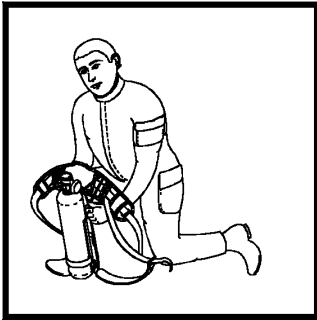


STEP 9

- 8. Activate air saver/donning switch, then turn cylinder valve knob counterclockwise until cylinder valve is fully open. Vibralert[®] alarm on regulator should sound momentarily and then shut off. Install regulator on facepiece and activate air flow by inhaling sharply.
- 9. Check remote pressure gauge for **FULL** indication.

SELF-CONTAINED BREATHING APPARATUS (SCBA) CHARGING EVOLUTIONS - SKETCH #002
Coat Style Method for Donning the SCOTT[®] Air-Pak[®] 4.5 (Sheet 2 of 2)

**IMPROPER USE OF THIS APPARATUS IN A HAZARDOUS ATMOSPHERE MAY RESULT IN INJURY OR DEATH.
PERSONNEL SHOULD RECEIVE ADEQUATE TRAINING PRIOR TO USE.**



1. With unit resting on dome of air cylinder, spread shoulder straps and fold open winged waist support. Grasp support members at sides of waist support.



2. Swing unit up and over your head, making sure that both elbows extend through the loops formed by shoulder straps.



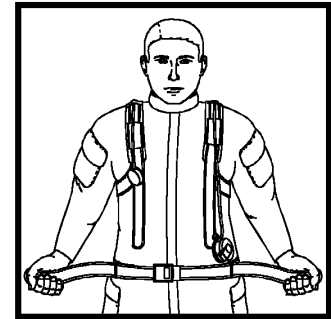
3. While leaning slightly forward, slide unit down your back and pull on the shoulder adjusting straps.



4. Pull down on both shoulder straps to snug unit on your back.



5. Grasp buckles on waist belt, extend belt and fasten buckles.



6. Adjust belt for firm fit on hips by pulling on belt ends. Loosen shoulder straps slightly to carry weight on hips.

**SELF-CONTAINED BREATHING APPARATUS (SCBA) CHARGING EVOLUTIONS - SKETCH #003
Over-The-Head Method for Donning the SCOTT® Air-Pak® 4.5 (Sheet 1 of 2)**

7. Don facepiece with 4-point head harness as follows:
 - A. Adjust head straps to full outward position.
 - B. Hold head harness out of the way with one hand while placing facepiece on your face with your other hand. Ensure your chin is properly located in chin pocket.
 - C. Pull head harness over your head and ensure straps are lying flat against your head and neck with no twist.



STEP 7D



STEP 7F

- D. Tighten neck straps by pulling the two lower strap ends toward rear of your head.
- E. Ensure neck strap is fully extended over back of your head. Retighten neck straps.
- F. Adjust temple straps by pulling the two upper strap ends toward the rear of your head. Overtightening may cause discomfort.
- G. Retighten neck straps if required.

NOTE: If leakage around face seal is detected, a different size facepiece may be required. Refer to your respirator instruction sheet for a listing of available facepiece sizes, options and part numbers.



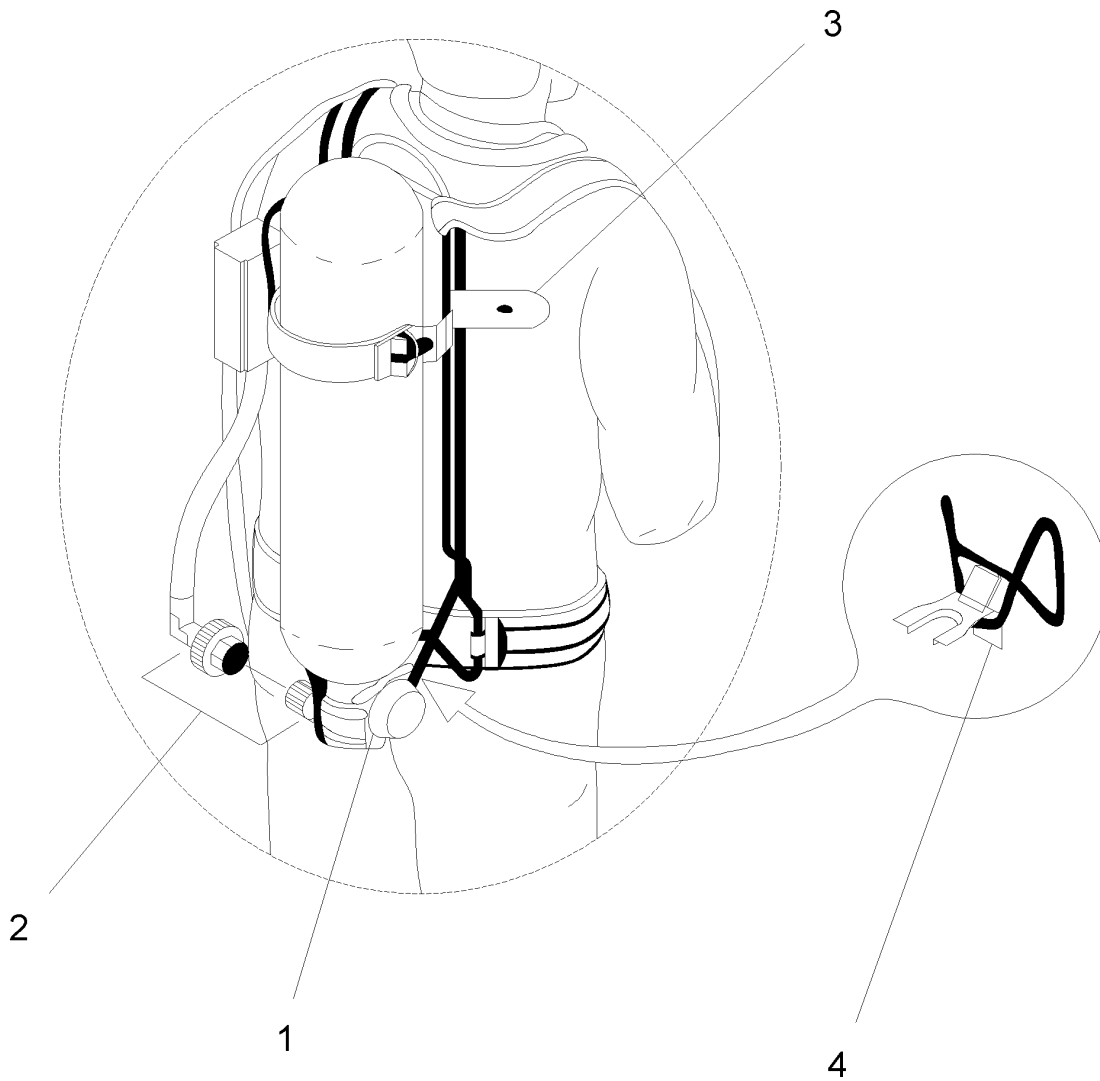
STEP 8



STEP 9

8. Activate air saver/donning switch, then turn cylinder valve knob counterclockwise until cylinder valve is fully open. Vibralert[®] alarm on regulator should sound momentarily and then shut off. Install regulator on facepiece and activate air flow by inhaling sharply.
9. Check remote pressure gauge for **FULL** indication.

SELF-CONTAINED BREATHING APPARATUS (SCBA) CHARGING EVOLUTIONS - SKETCH #003
Coat Style Method for Donning the SCOTT[®] Air-Pak[®] 4.5 (Sheet 2 of 2)



INSTRUCTIONS FOR CHANGING CYLINDERS:

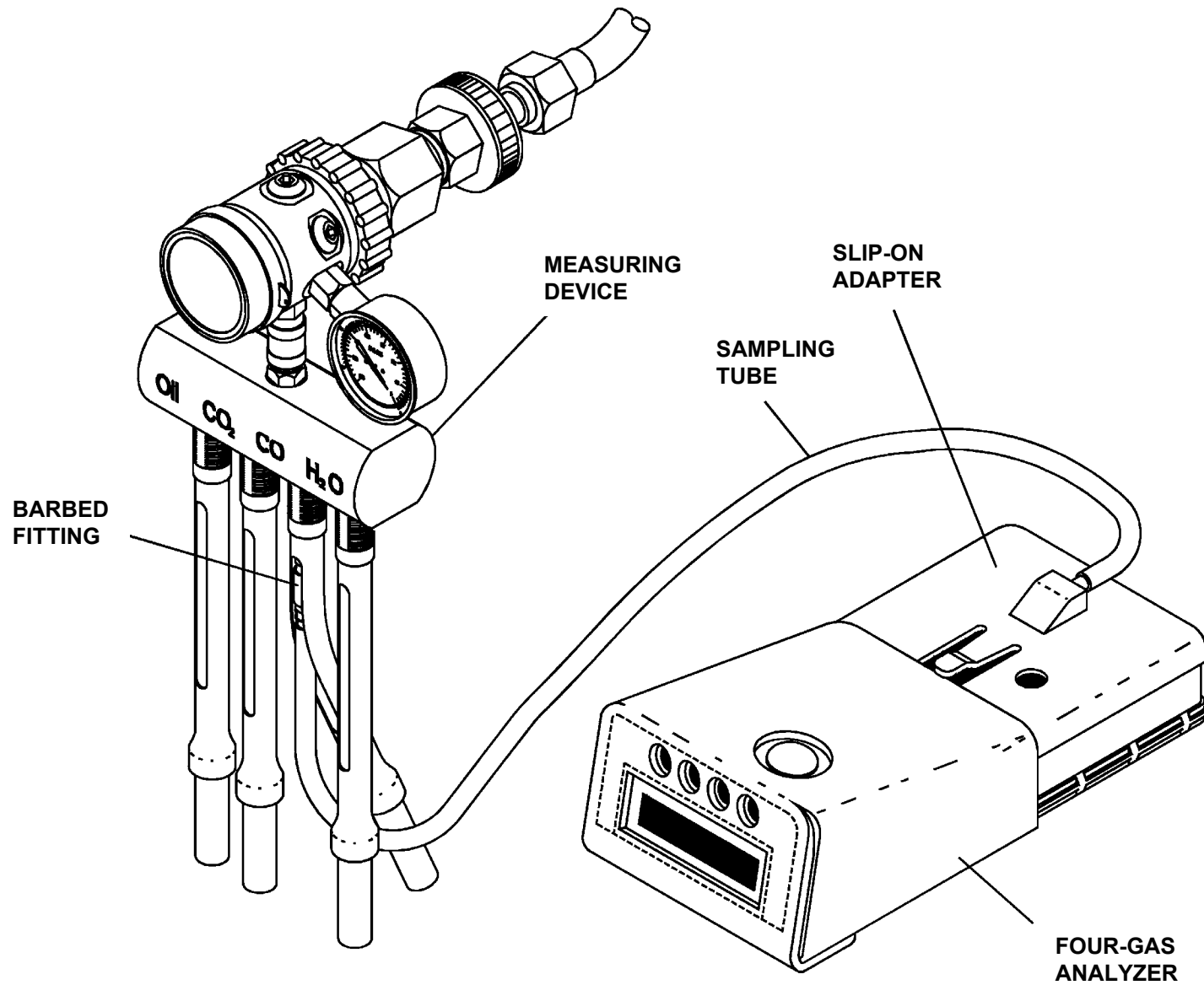
- 1. ENSURE THAT CYLINDER VALVE IS IN OFF POSITION**
- 2. UNSCREW TO DISCONNECT HOSE.**
- 3. UNSNAP TO LOOSEN RETAINING STRAP.**
- 4. PUSH LEVER TO RELEASE CYLINDER.**
- 5. SLIDE CYLINDER DOWN AND OUT OF HARNESS.**

INSTALL:

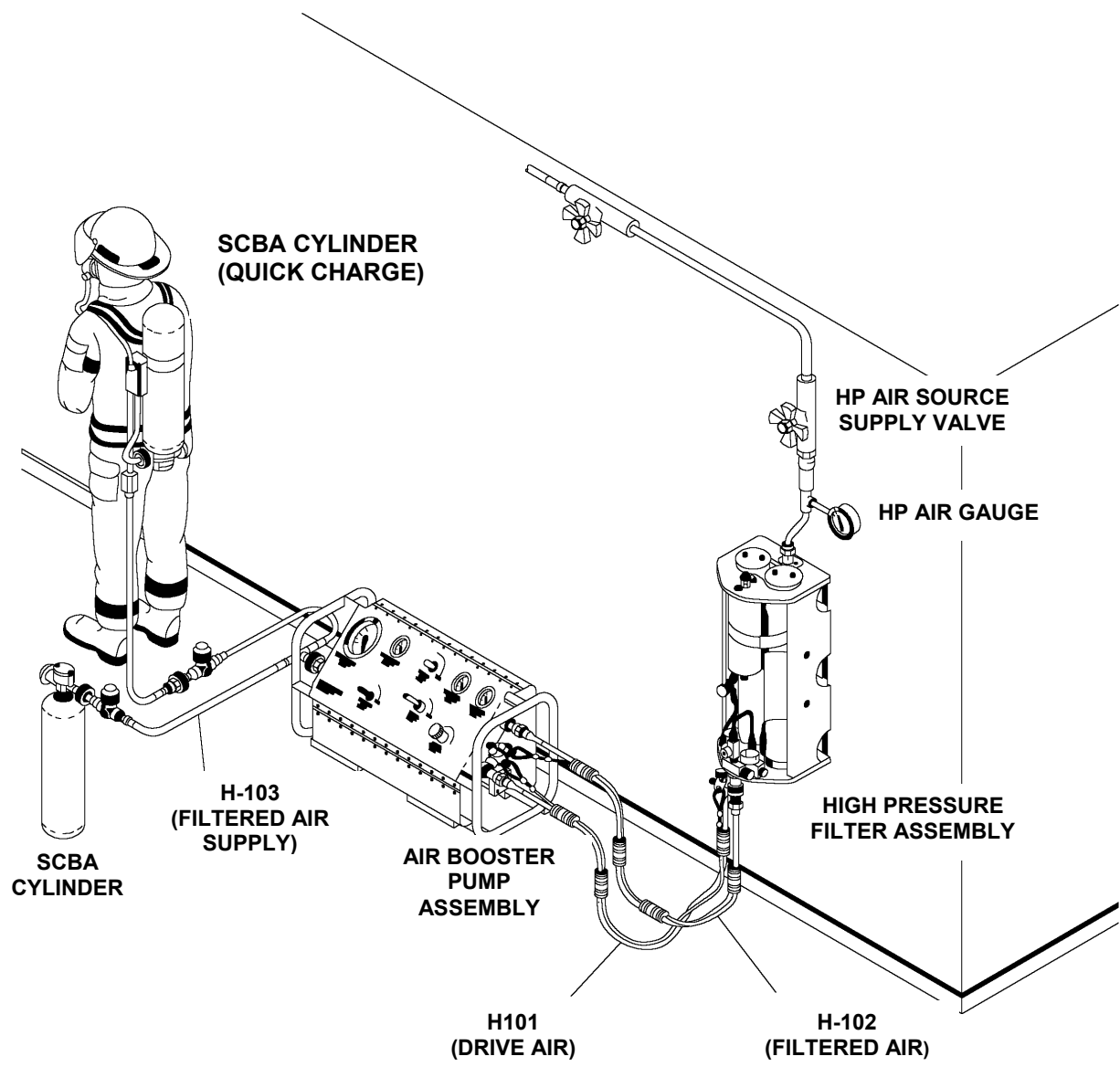
ENSURE THAT CYLINDER IS FULLY CHARGED.

REVERSE REMOVAL PROCEDURE.

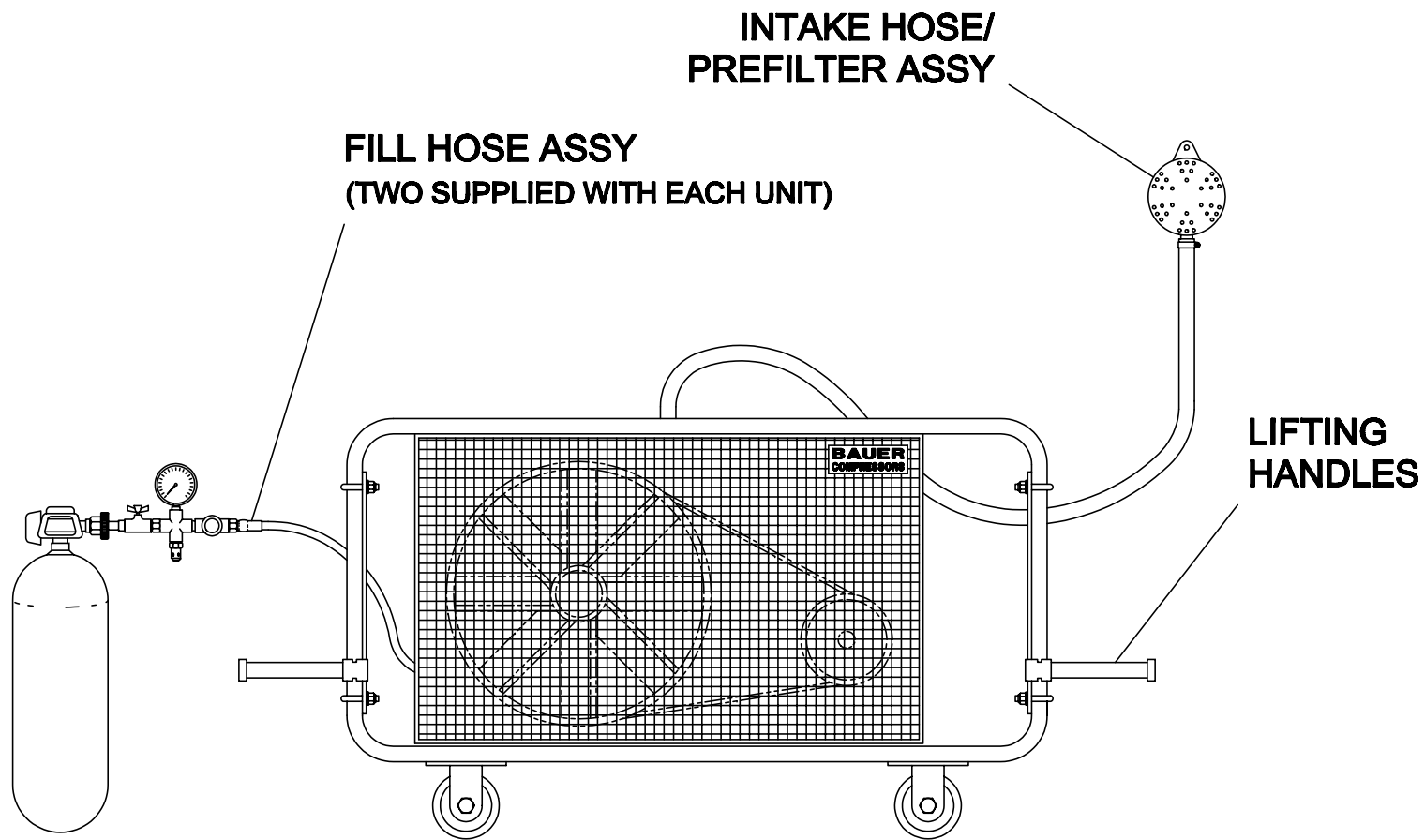
SELF-CONTAINED BREATHING APPARATUS (SCBA) CHARGING EVOLUTIONS - SKETCH #004
Changing Out the SCBA Cylinders



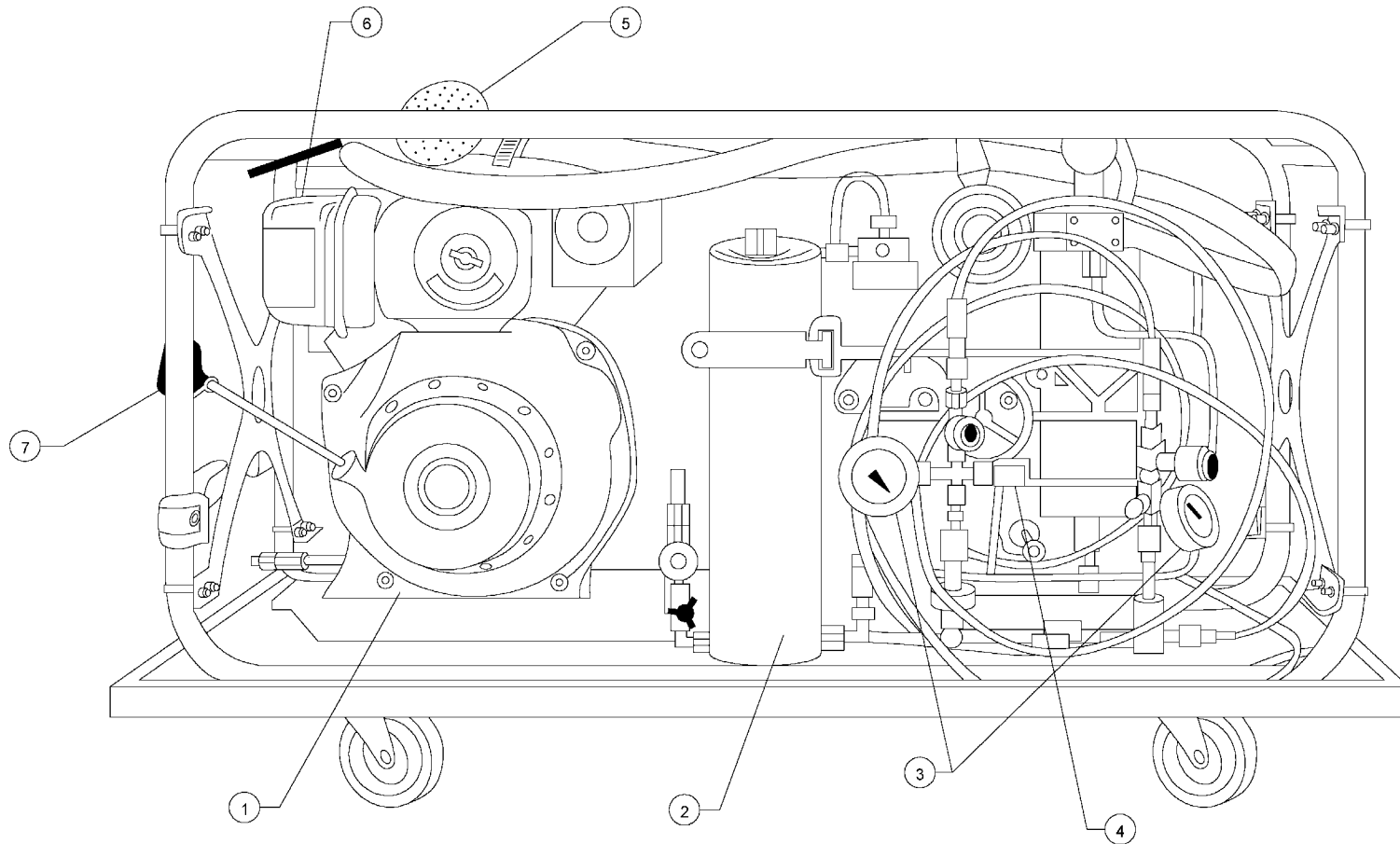
SELF-CONTAINED BREATHING APPARATUS (SCBA) CHARGING EVOLUTIONS - SKETCH #005
Setup for Sampling Air with the Breathing Air Tester (BAT)



SELF-CONTAINED BREATHING APPARATUS (SCBA) CHARGING EVOLUTIONS - SKETCH #006
Charging the SCBA Cylinder Using the Breathing Air Charging System (BACS)



SELF-CONTAINED BREATHING APPARATUS (SCBA) CHARGING EVOLUTIONS - SKETCH #007
Charging the SCBA Cylinder Using the Breathing Air Compressor (BAC)



| ITEM | EQUIPMENT |
|------|---------------------------------|
| 1 | YANMAR ENGINE |
| 2 | P-1 PURIFICATION SYSEM |
| 3 | FILL GAUGE |
| 4 | FILL HOSE ASSEMBLY |
| 5 | INTAKE HOSE PRE FILTER ASSEMBLY |
| 6 | FUEL TANK |
| 7 | START PULL CABLE |

SELF-CONTAINED BREATHING APPARATUS (SCBA) CHARGING EVOLUTIONS - SKETCH #008
Breathing Air Compressor (BAC)