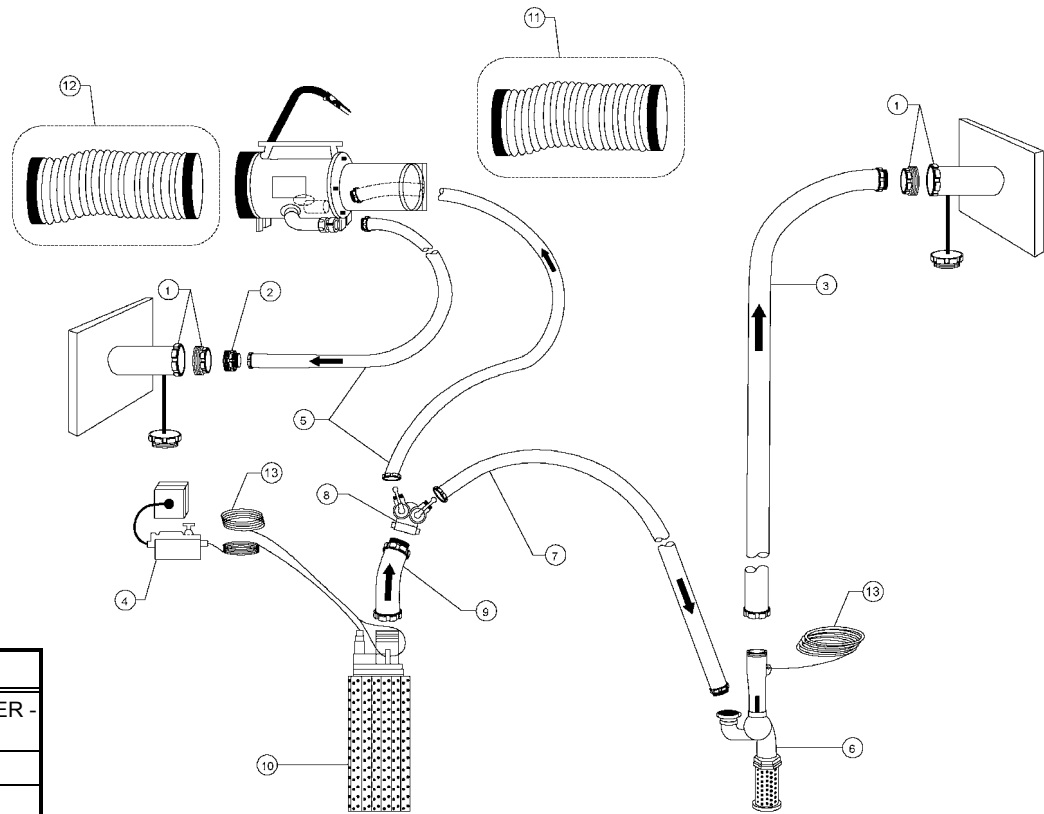


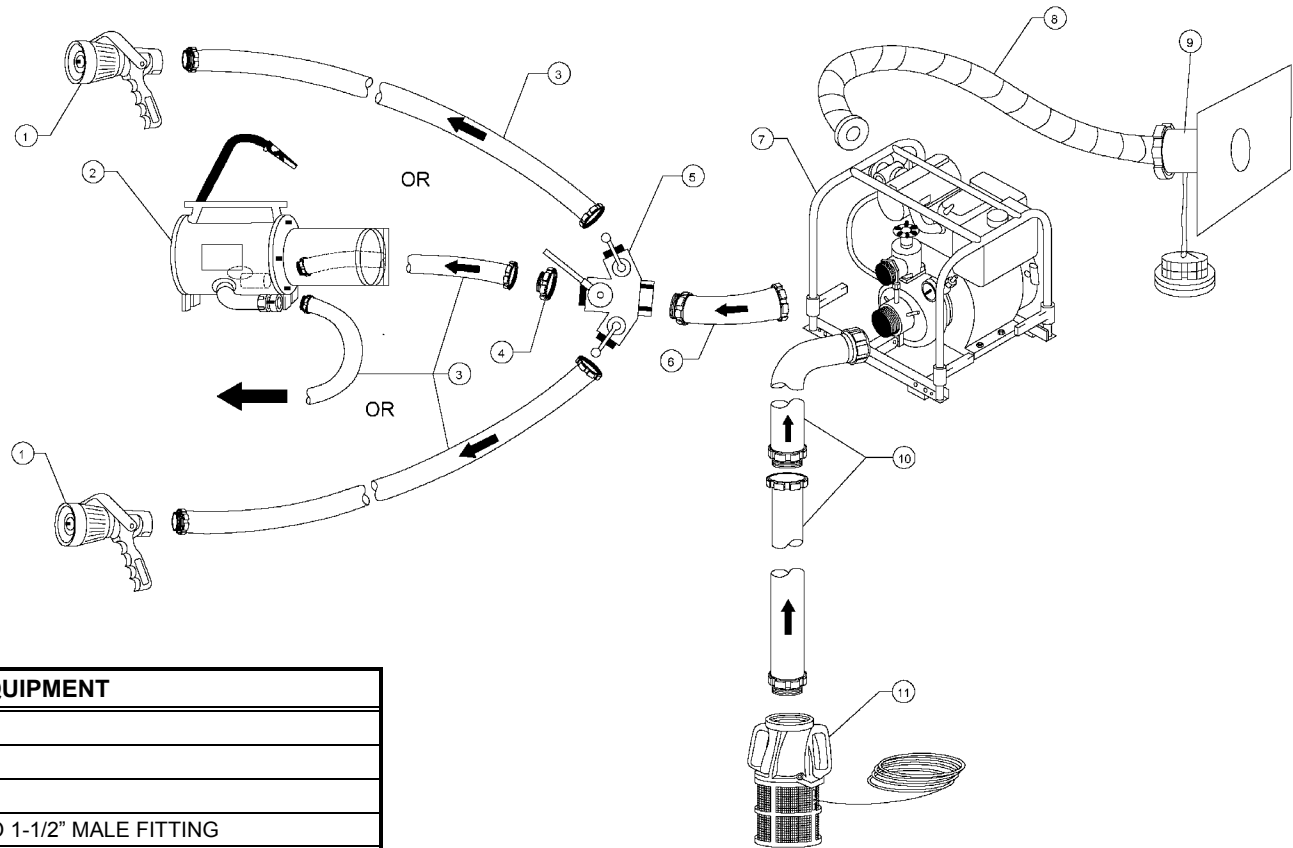
DAMAGE CONTROL LAYOUT SKETCHES
SECTION 15 – COMPLEX DAMAGE CONTROL EVOLUTION

SKETCH NO.	TITLE OF SKETCH	SHEET NO.
001	Dewatering and Desmoking Using Electric Sub Pump Discharge Actuating Water Driven Fan and 1-1/2 Eductor	15-2
002	Dewatering and Desmoking Using Water Driven Fan and P100 Pump Taking Suction from Flooded Compartment	15-3



ITEM	QTY	EQUIPMENT
1	2	4" OVERBOARD DISCHARGE WITH INSTALLED ADAPTER - 4" MALE TO 2-1/2" FEMALE AND CAP
2	1	ADAPTER - 2-1/2" MALE TO 1-1/2" MALE FITTING
3	1	2-1/2" X 50' FIREHOSE
4	1	CONTROL BOX FOR SUB PUMP PLUGGED INTO 440 VOLT OUTLET
5	2	1-1/2" X 50' FIREHOSE
6	1	1-1/2" EDUCTOR
7	1	1-1/2" X 25' FIREHOSE
8	1	2-WAY WYEGATE - (1) 2-1/2" INLET & (2) 1-1/2" OUTLETS
9	1	2-1/2" X 18" JUMPER HOSE
10	1	ELECTRIC SUB PUMP WITH FOOT VALVE AND STRAINER
11	2	8" VENT DUCT, OPTIONAL
12	2	10" VENT DUCT
13	1	2" X 50' DOUBLE-BRAIDED HANDLING LINE

COMPLEX DAMAGE CONTROL EVOLUTION - SKETCH #001
Dewatering and Desmoking Using Electric Sub Pump Discharge Actuating Water Driven Fan and 1-1/2" Eductor



ITEM	QTY	EQUIPMENT
1	2	1-1/2" VARI-NOZZLE
2	1	WATER DRIVEN FAN
3	4	1-1/2" X 50' FIREHOSE
4	1	ADAPTER - 2-1/2" FEMALE TO 1-1/2" MALE FITTING
5	2	TRIGATE - 2-1/2" INLET X (1) 2-1/2" & (2) 1-1/2" OUTLETS
6	1	2-1/2" X 18' JUMPER HOSE
7	1	P-100 PUMP
8	1 NOTE 1	2" X 10' EXHAUST HOSE
9	1	4" OVERBOARD DISCHARGE CONNECTION WITH INSTALLED ADAPTER - 4" MALE TO 2-1/2" FEMALE FITTING AND CAP (REMOVE AS UNIT)
10	2	3" X 10' HARD RUBBER SUCTION HOSE
11	1	VALVE, FOOT STRAINER WITH 1/2" X 55' RELEASE LINE

NOTE 1: IF MORE THAN 10" DISTANCE TO OVERBOARD OR WEATHER, INTSALL ADDITIONAL HOSE

COMPLEX DAMAGE CONTROL EVOLUTION - SKETCH #002
Dewatering and Desmoking Using Water Driven Fan and P100 Pump Taking Suction from Flooded Compartment