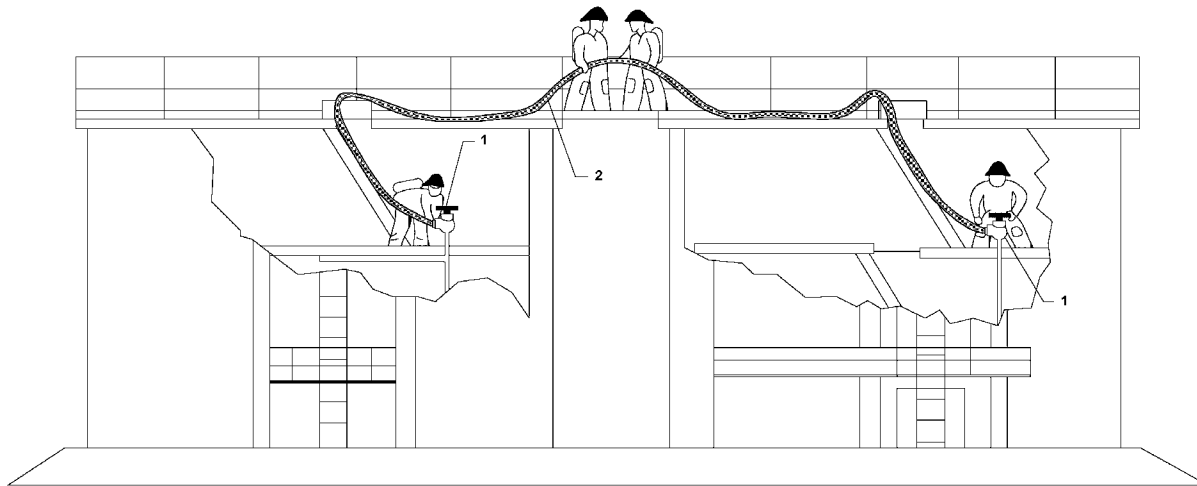
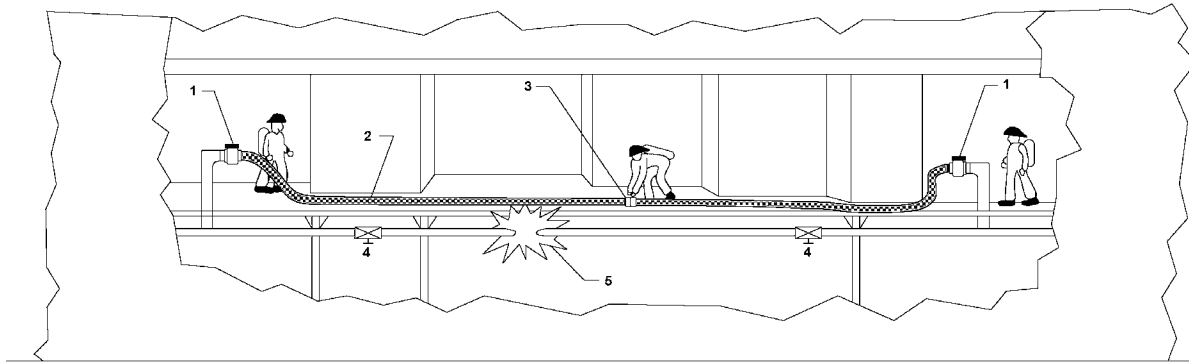


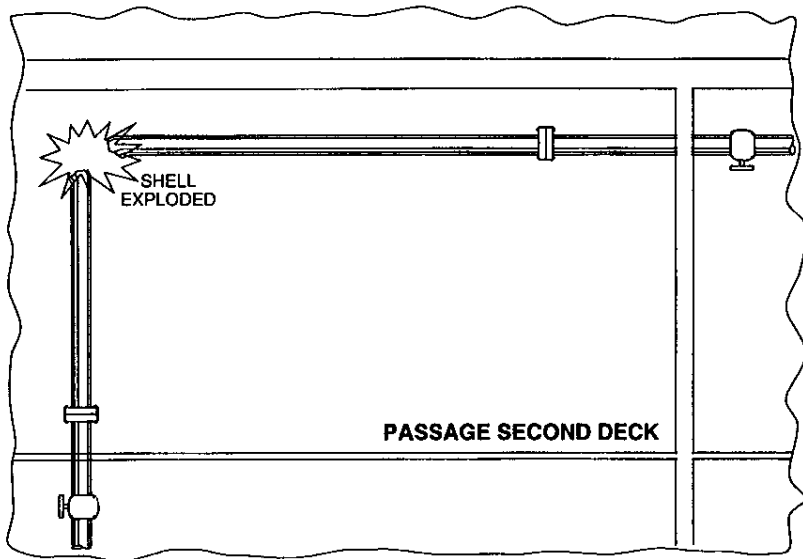
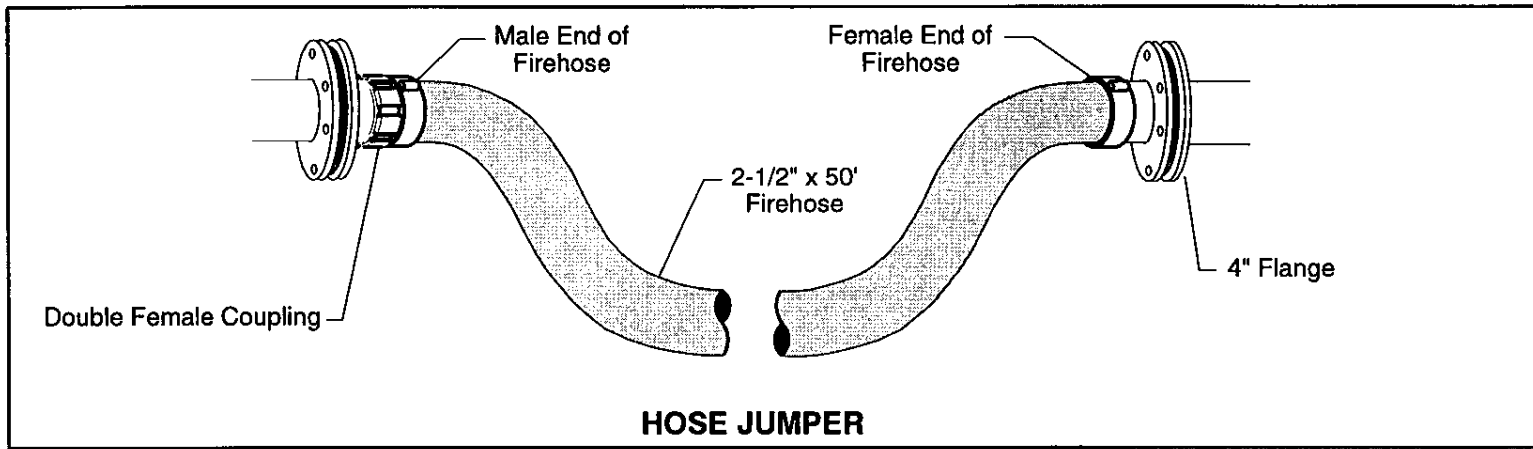
DAMAGE CONTROL LAYOUT SKETCHES
SECTION 14 - SYSTEM RESTORE/RECONFIGURE EVOLUTION

SKETCH NO.	TITLE OF SKETCH	SHEET NO.
001	Providing Temporary Firemain Service Using Firehose Bypassing Damaged Firemain	14-2
002	Providing Temporary Firemain Service by Hose Jumping at Flanges	14-3
003	Pipe Jumper Evolution – Pipe Measuring Device	14-4
004	Pipe Jumper Evolution – PJHS KIT NO.1, Assembly/Installation	14-5
005	Pipe Jumper Evolution – PJHS KIT NO.1, Safety Gag Installation	14-6
006	Pipe Jumper Evolution – PJHS KIT NO.2, Assembly/Installation	14-7

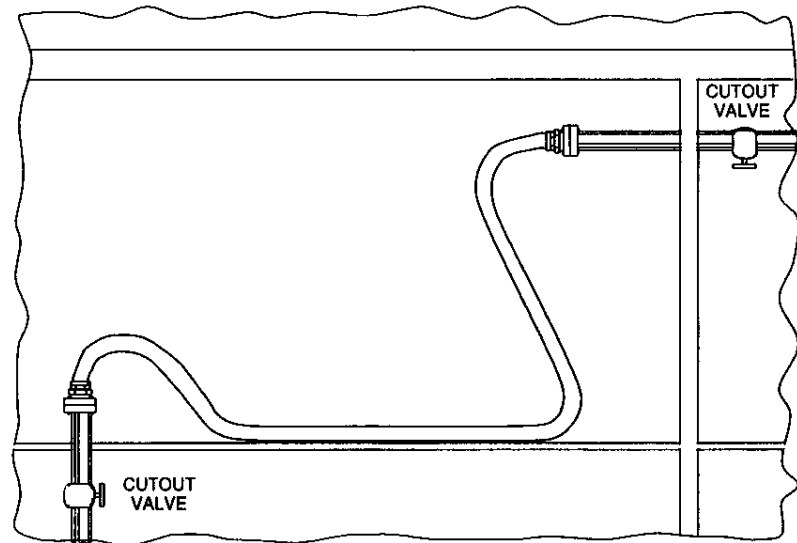


ITEM	QTY	EQUIPMENT
1	4	FIRE PLUG
2	2	2-1/2" X 50' JUMPER HOSE LINE
3	1	2-1/2" DOUBLE FEMALE FITTING
4	2	CUTOUT VALVE (CLOSED)
5	1	RUPTURED FIREMAIN

SYSTEM RESTORE/RECONFIGURE EVOLUTION - SKETCH #001
Providing Temporary Firemain Service Using Firehose Bypassing Damaged Firemain

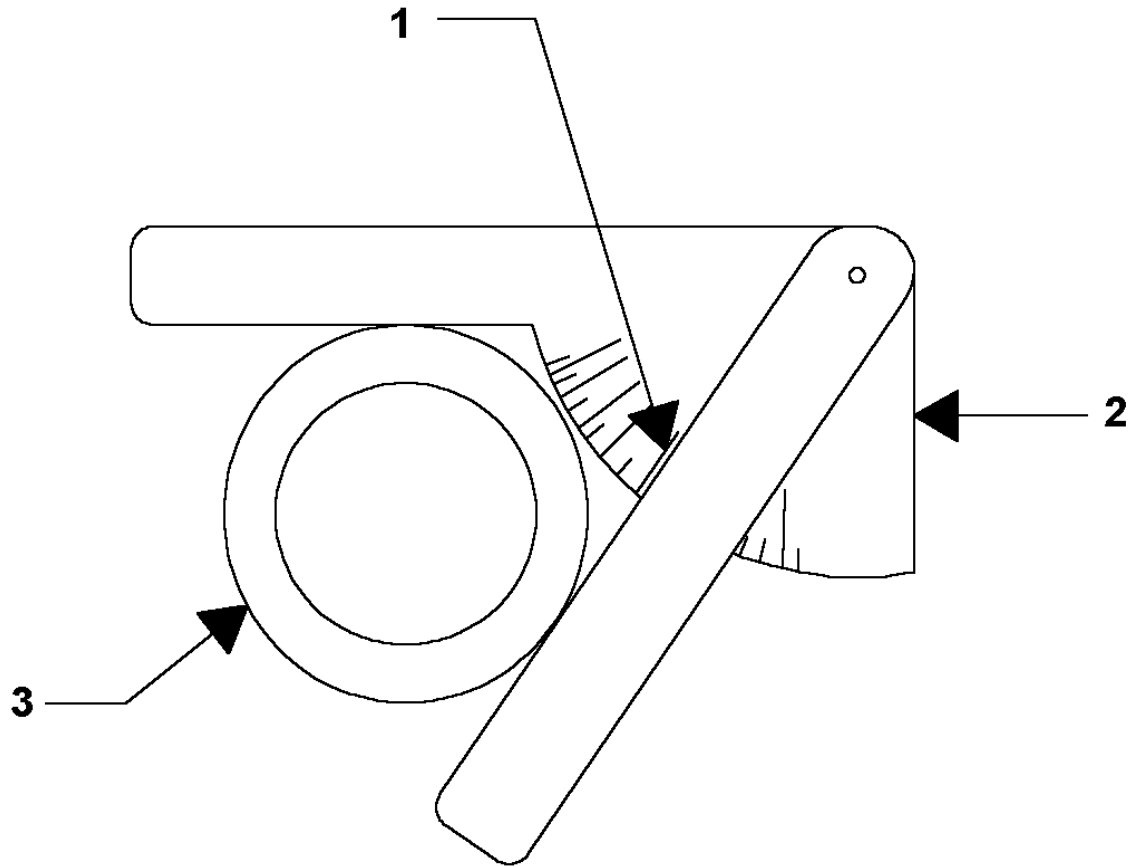


1



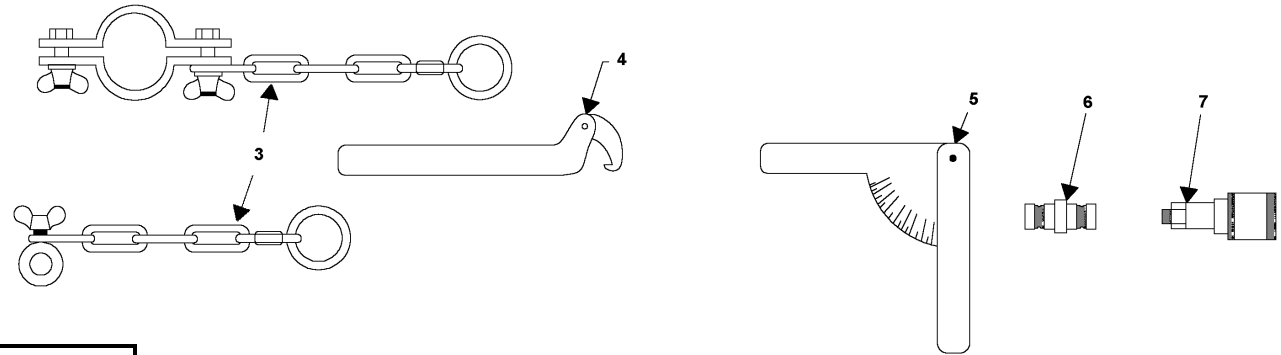
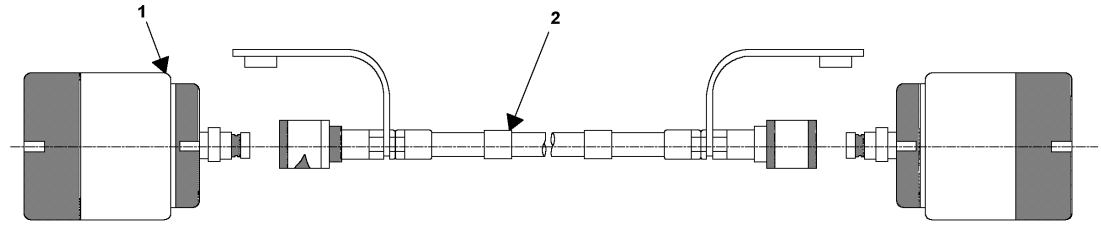
2

SYSTEM RESTORE/RECONFIGURE EVOLUTION - SKETCH #002
Providing Temporary Firemain Service by Hose Jumping at Flanges

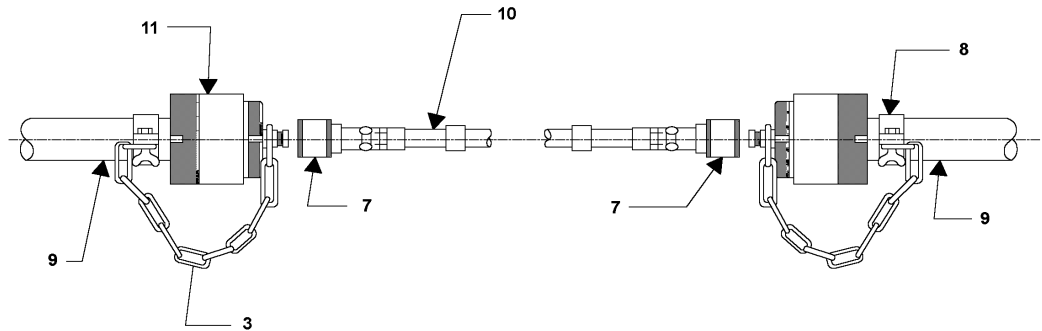


ITEM	EQUIPMENT
1	READ PIPE SIZE ALONG THIS EDGE
2	PIPE MEASURING DEVICE
3	PIPE

SYSTEM RESTORE/RECONFIGURE EVOLUTION - SKETCH #003
Pipe Jumper Evolution – Pipe Measuring Device

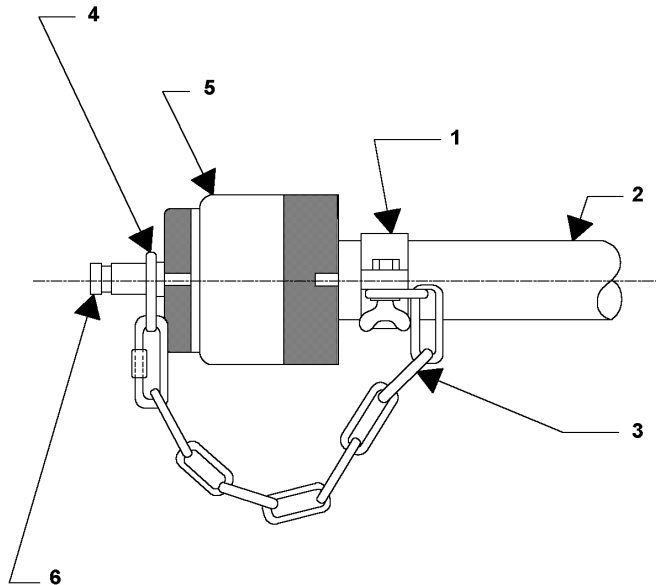
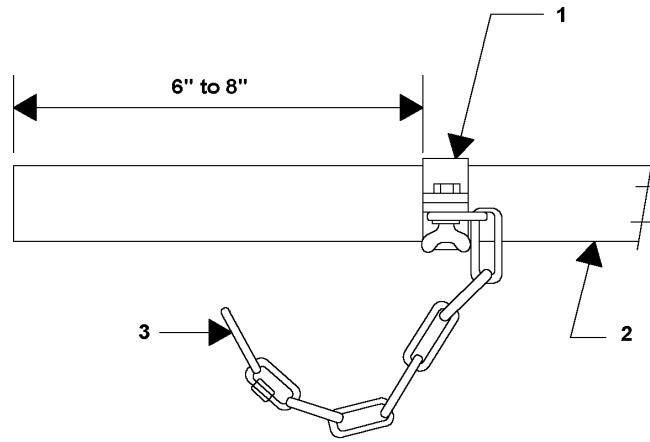


ITEM	QTY	EQUIPMENT
1	2	BODY - JUMPER FITTING
2	1	JUMPER HOSE ASSEMBLY
3	1	SAFETY GAG CHAIN - SEE NOTE 1
4	2	SPANNER WRENCH
5	1	PIPE MEASURING DEVICE
6	1	PIPE FITTING
7	3	ISO 7241-1 SERIES B QUICK ACTION COUPLING
8	2	SAFETY GAG
9	2	PIPE SYSTEM
10	1	JUMPER HOSE ASSEMBLY
11	2	JUMPER FITTING

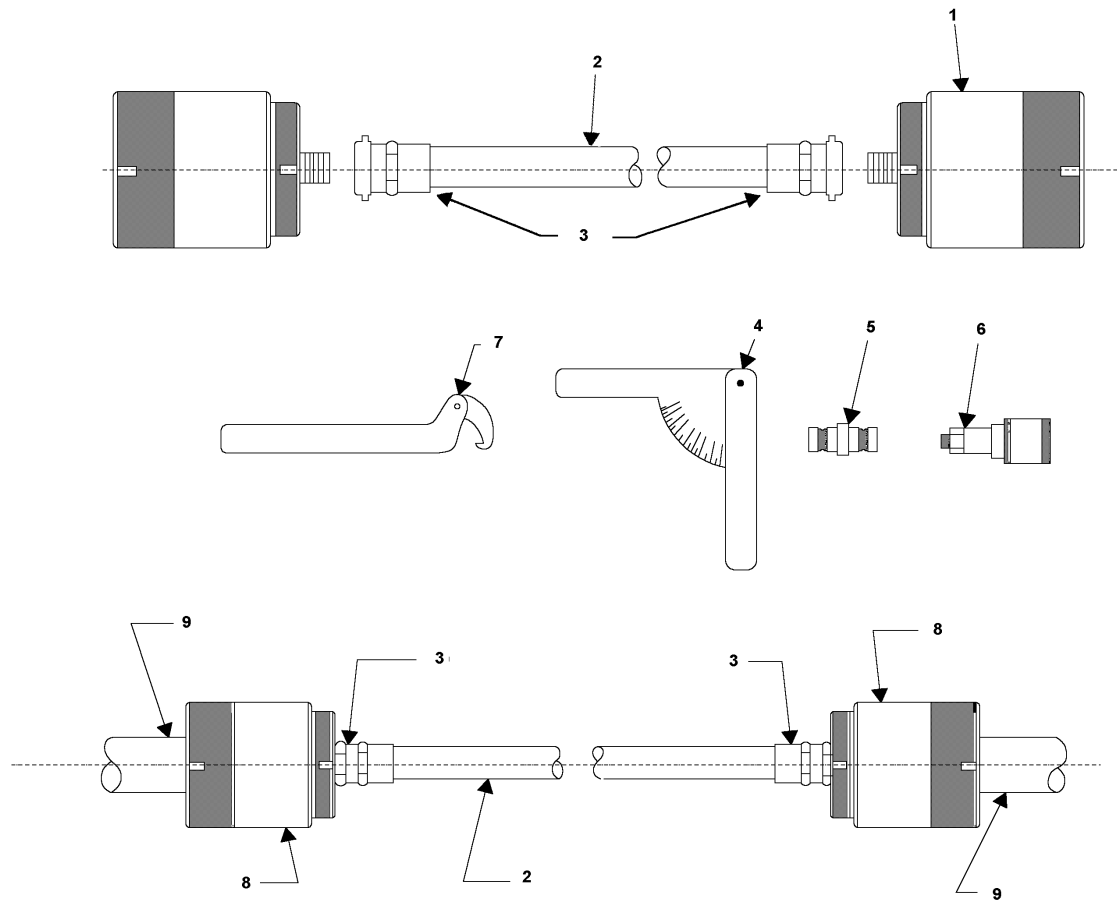


SYSTEM RESTORE/RECONFIGURE EVOLUTION - SKETCH #004
Pipe Jumper Evolution – PJHS KIT NO.1, Assembly/Installation

ITEM	QTY	EQUIPMENT
1	2	SAFETY GAG
2	2	PIPE
3	2	SAFETY GAG CHAIN
4	1	SAFETY GAG CHAIN RING
5	1	JUMPER FITTING
6	1	MALE QUICK CONNECT FITTING



SYSTEM RESTORE/RECONFIGURE EVOLUTION - SKETCH #005
Pipe Jumper Evolution – PJHS KIT NO.1, Safety Gag Installation



ITEM	QTY	EQUIPMENT
1	2	BODY – JUMPER FITTING
2	1	JUMPER HOSE ASSEMBLY
3	2	NAVY STANDARD FIRE HOSE COUPLING
4	2	PIPE MEASURING DEVICE
5	1	DOUBLE MALE PIPE FITTING
6	1	FITTING – END CAP
7	2	SPANNER WRENCH
8	2	JUMPER FITTING
9	2	PIPE SYSTEM

SYSTEM RESTORE/RECONFIGURE EVOLUTION - SKETCH #006
Pipe Jumper Evolution – PJHS KIT NO.2, Assembly/Installation