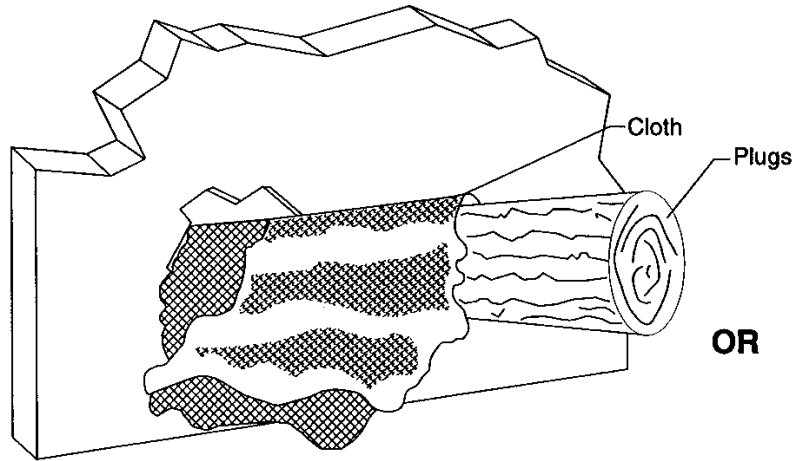


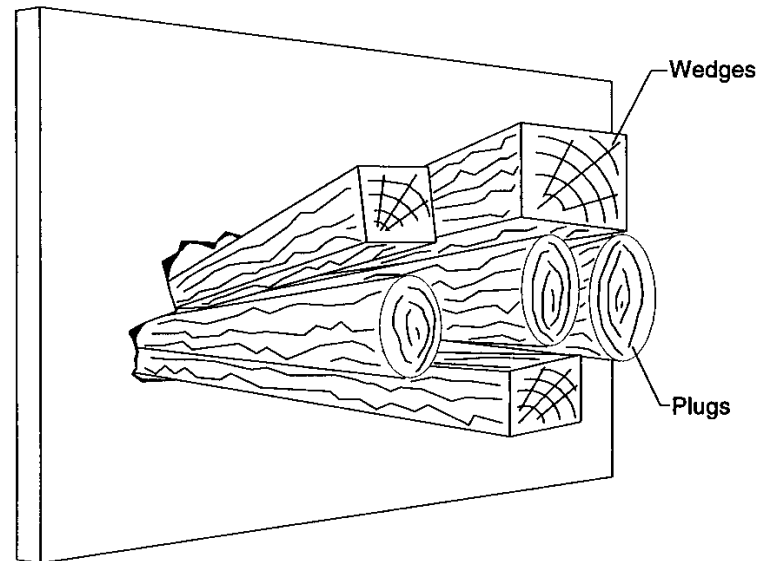
**DAMAGE CONTROL LAYOUT SKETCHES**  
**SECTION 10 - PATCHING/PLUGGING EVOLUTION**

<b>SKETCH NO.</b>	<b>TITLE OF SKETCH</b>	<b>SHEET NO.</b>
001	Use of Wooden Plugs and Wedges in Filling Holes	10-2
002	Plugging with Mattresses	10-3
003	Box Patch	10-4
004	Hinged Plate Patch	10-5
005	Securing Patch with Hook Bolts	10-6
006	Folding T-Patch	10-7
007	Plate Patch	10-8
008	Bucket Patch	10-9
009	Patching and Sealing Crack	10-10
010	Caulking Thin Plating and Torn Seams	10-11
011	Cloth Patch	10-12
012	Emergency Leak Plugging Using Flange Clamp	10-13

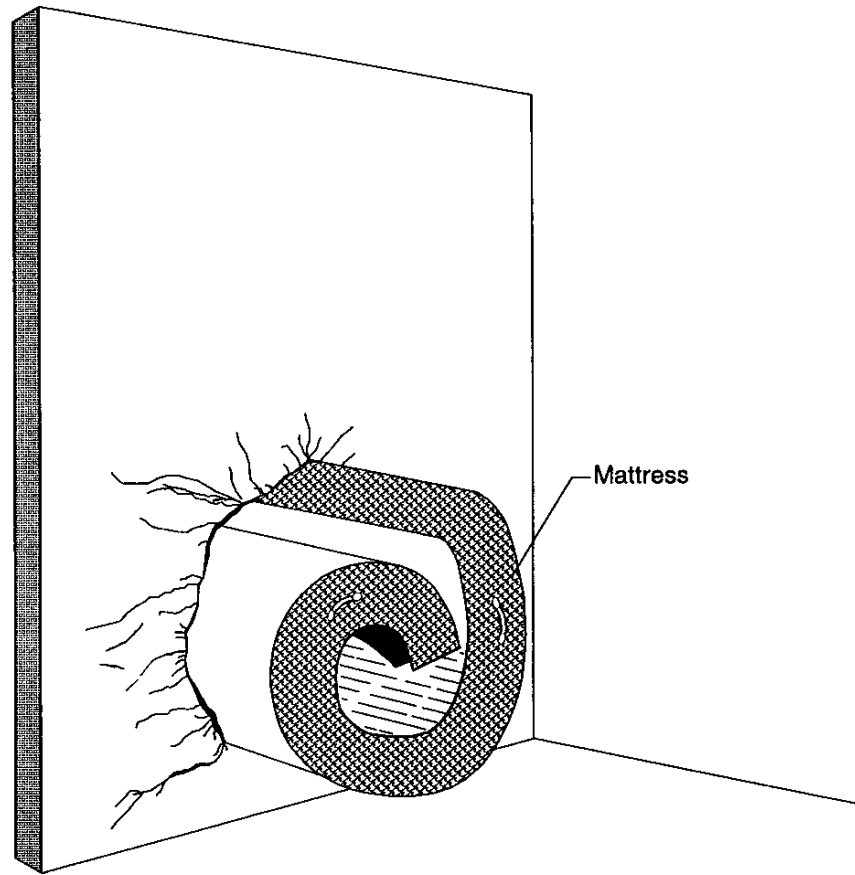


Stop jagged leaks by inserting plug  
camel wrapped with cloth.

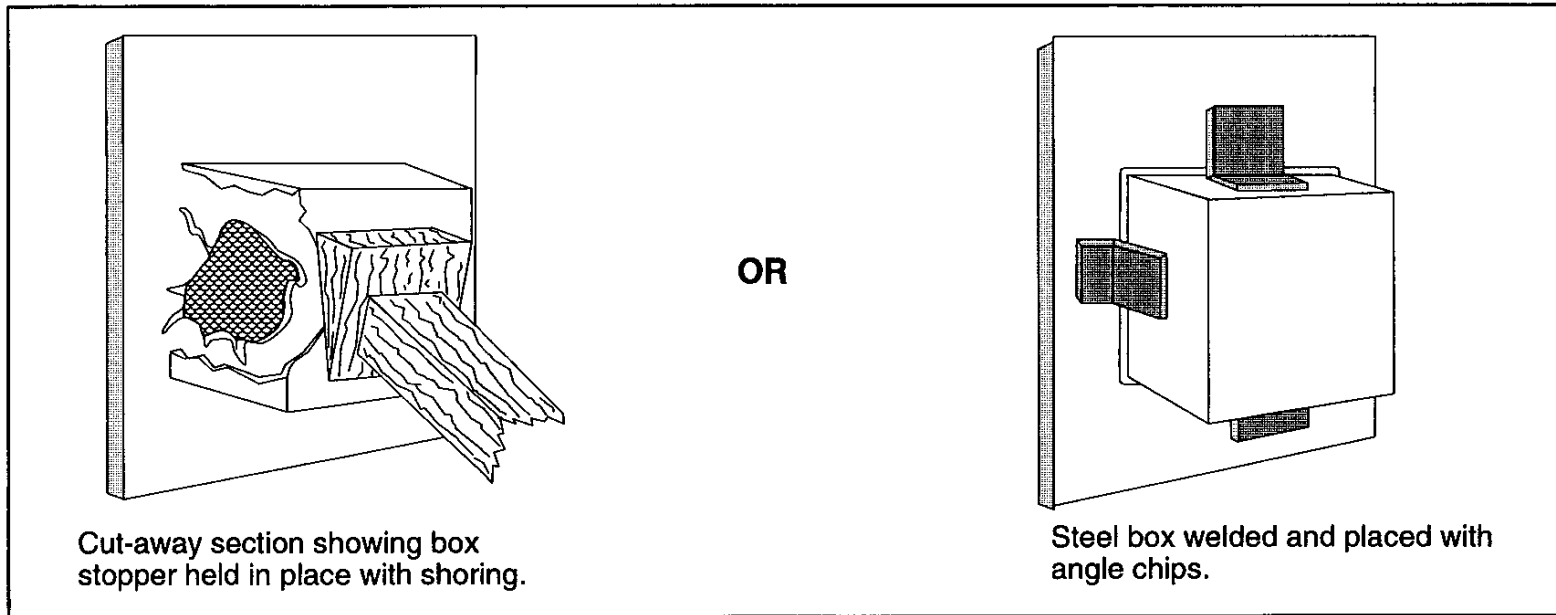
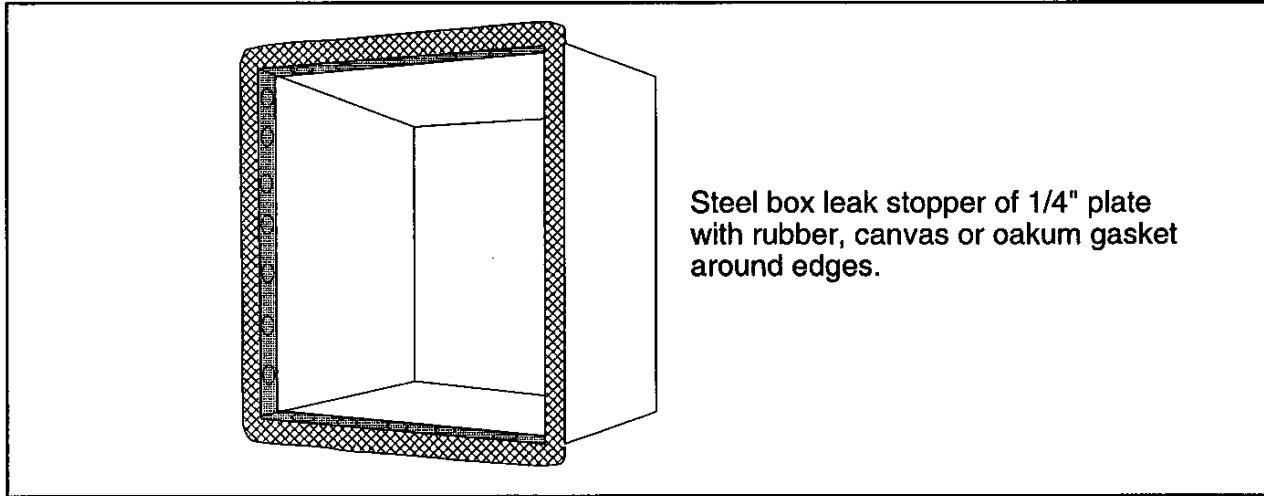
Stop jagged leaks using combinations  
of conical plugs and wedges.



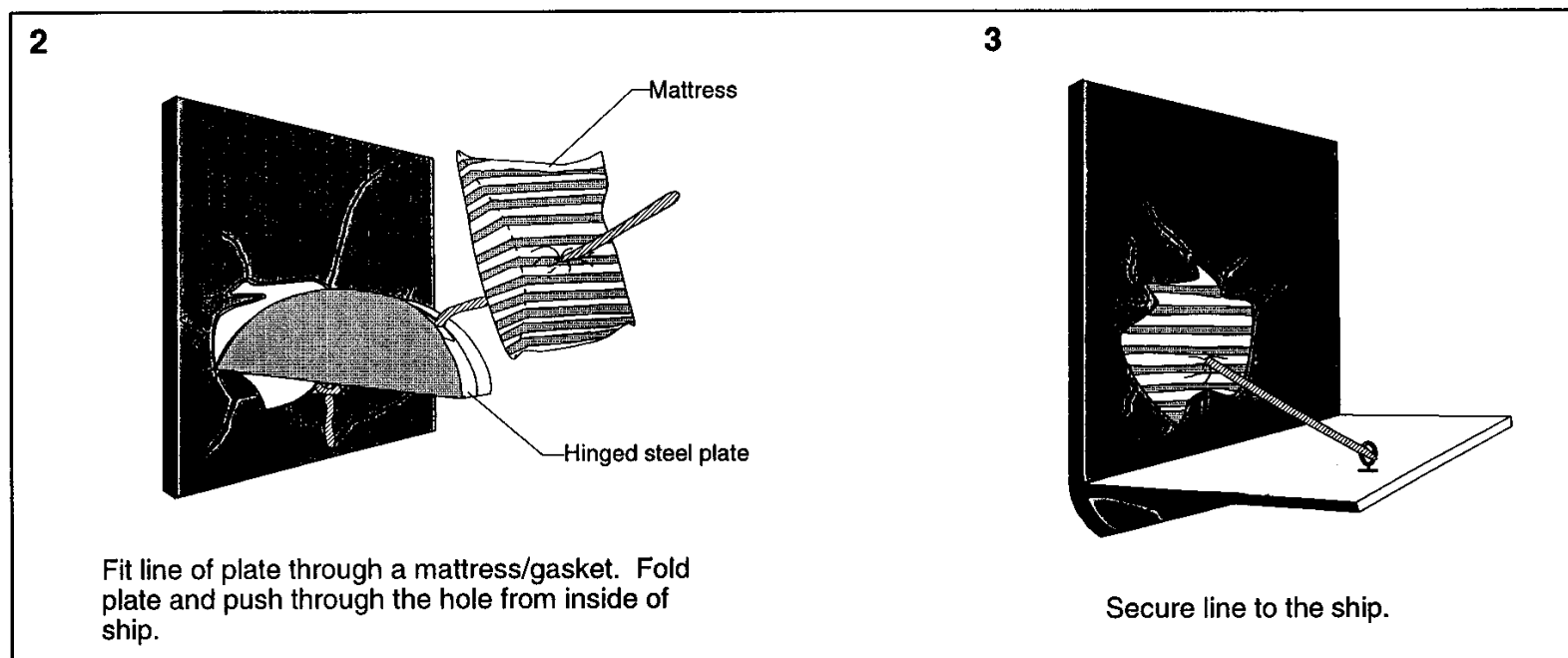
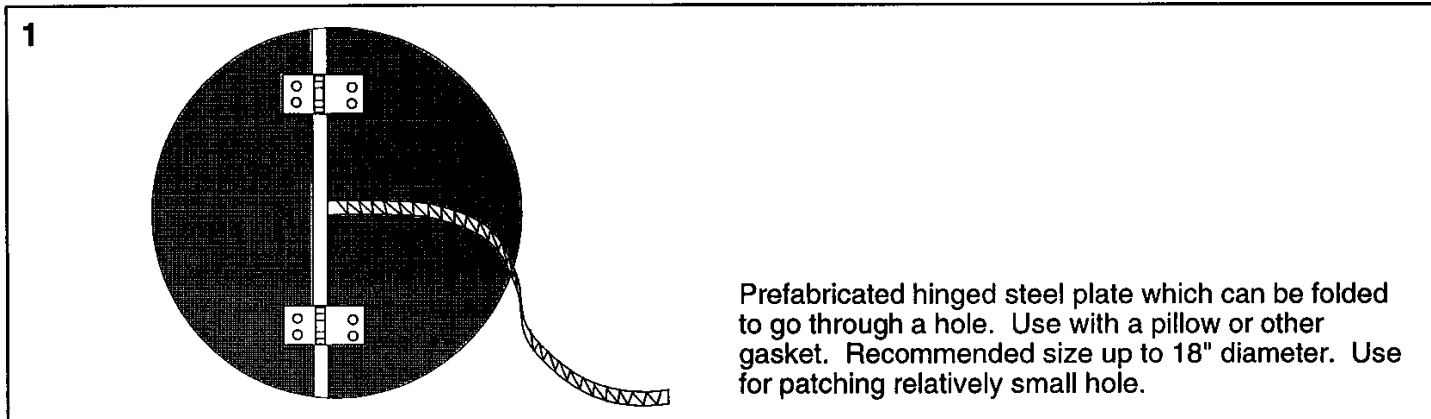
**PATCHING/PLUGGING EVOLUTION - SKETCH #001**  
**Use of Wooden Plugs and Wedges in Filling Holes**



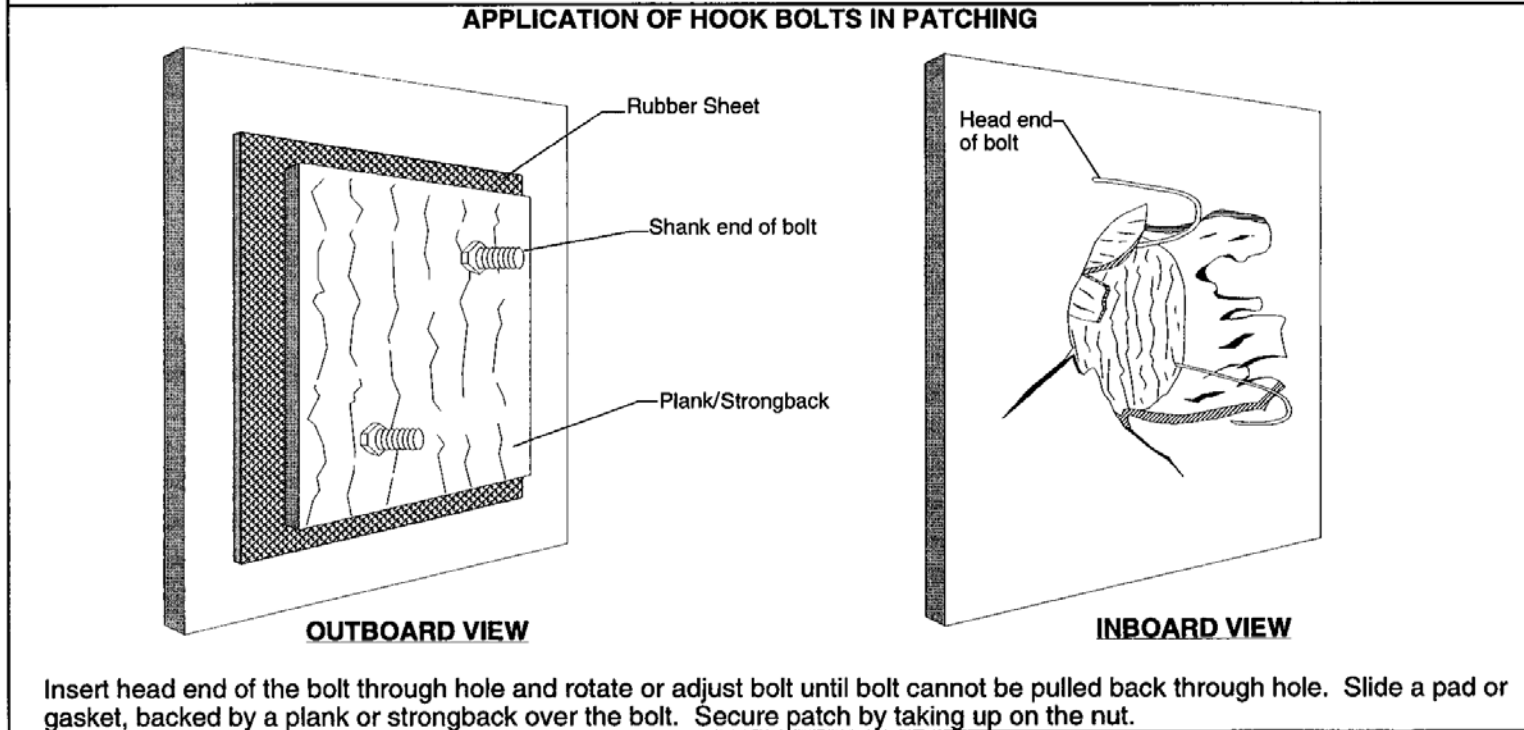
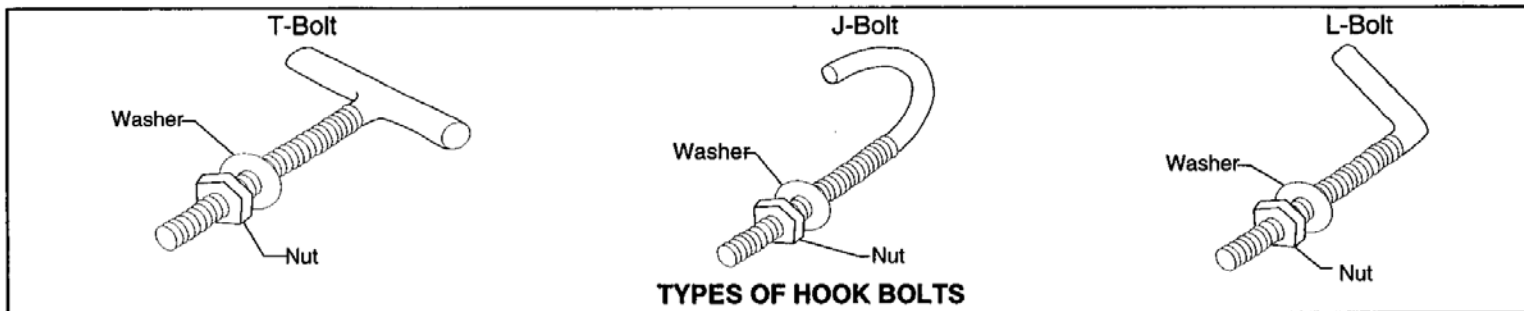
**PATCHING/PLUGGING EVOLUTION - SKETCH #002**  
**Plugging with Mattresses**



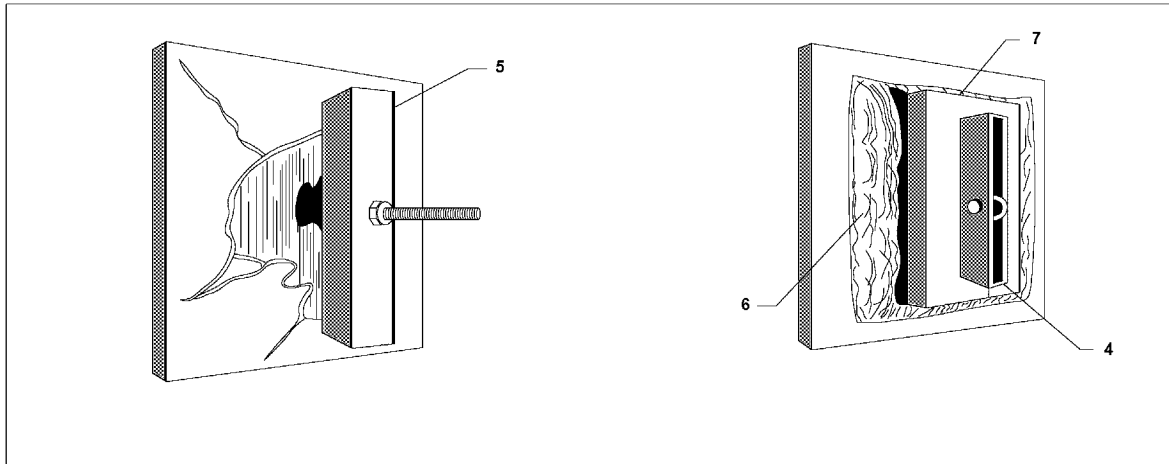
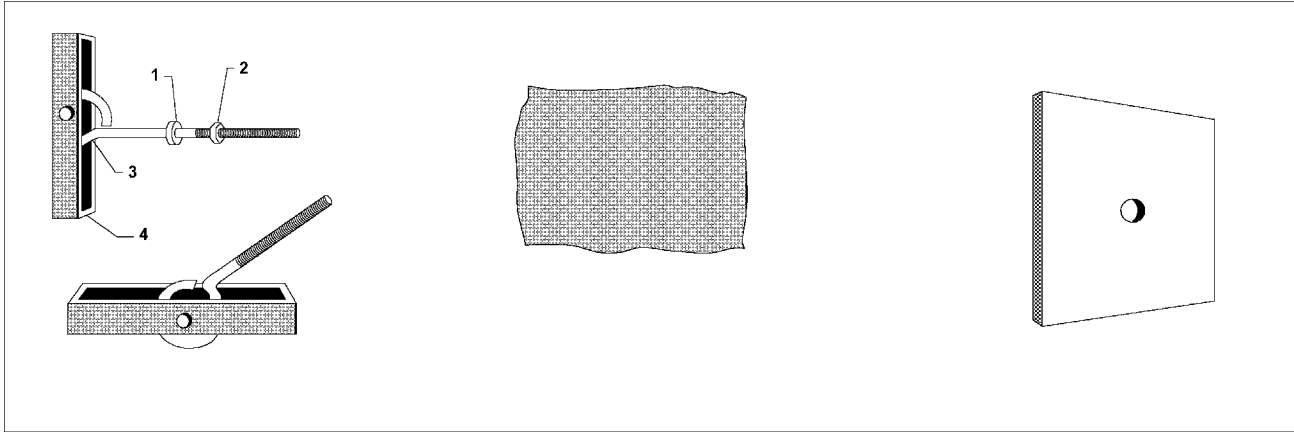
**PATCHING/PLUGGING EVOLUTION - SKETCH #003**  
**Box Patch**



**PATCHING/PLUGGING EVOLUTION - SKETCH #004**  
**Hinged Plate Patch**

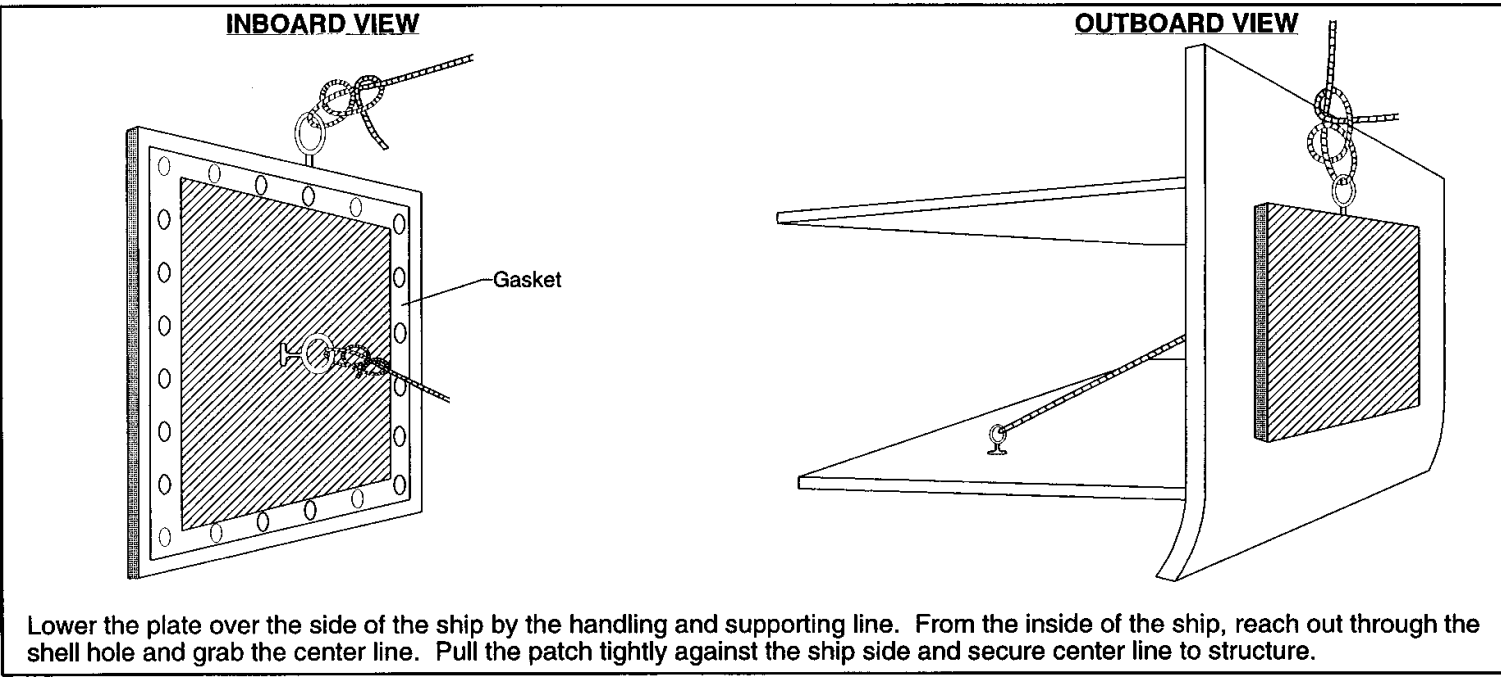
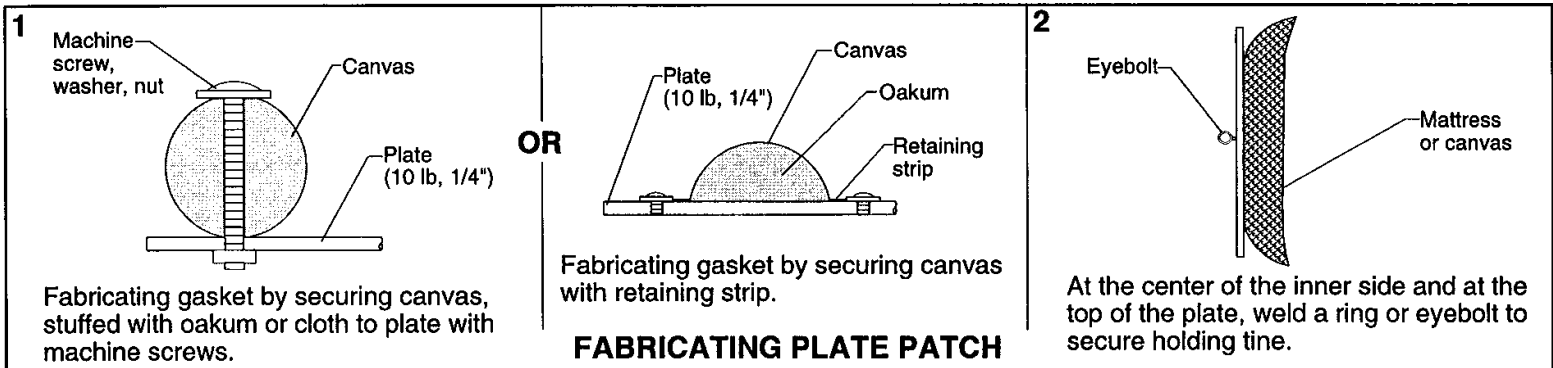


**PATCHING/PLUGGING EVOLUTION - SKETCH #005**  
**Securing Patch with Hook Bolts**



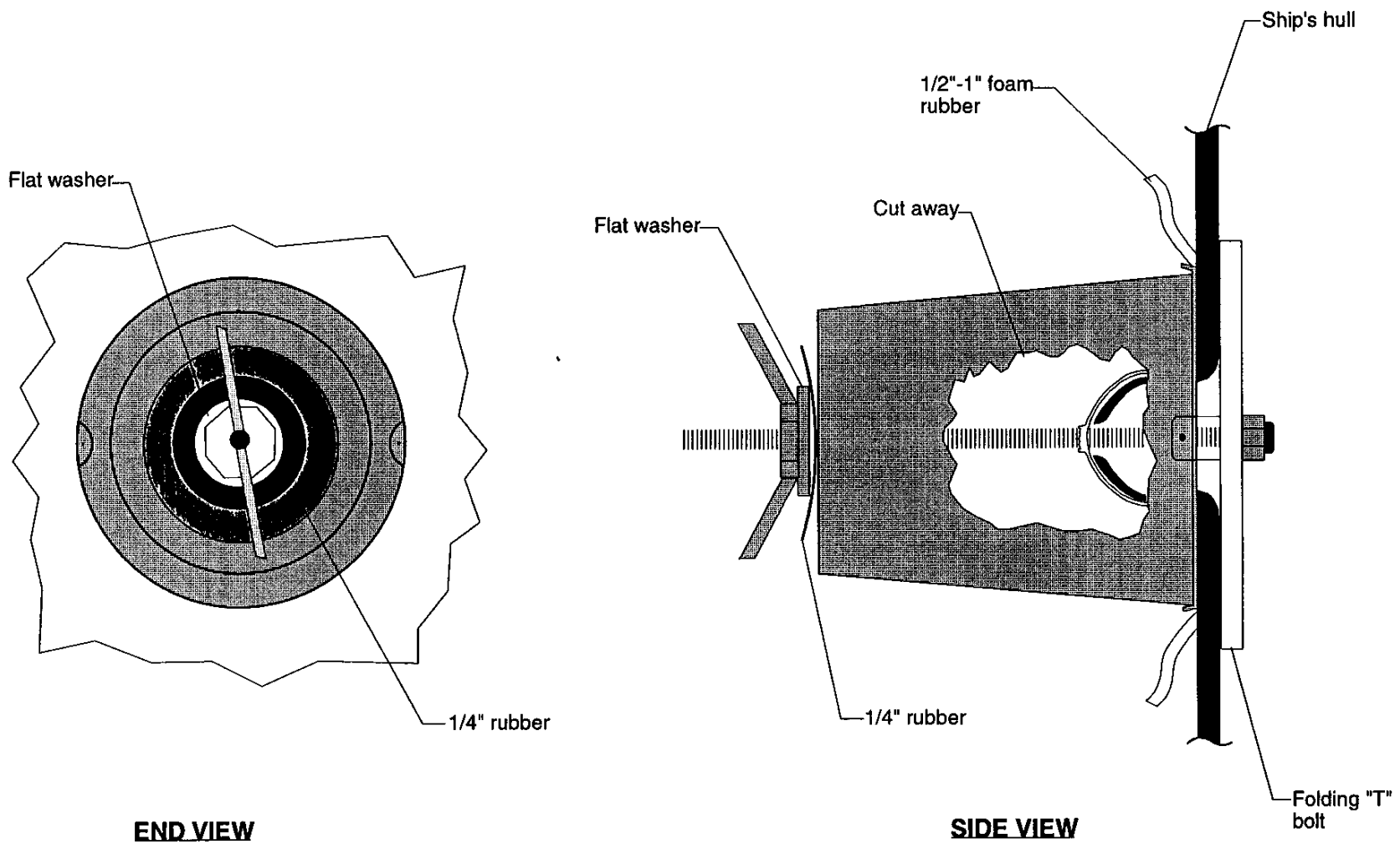
ITEM	qty	EQUIPMENT
1	1	Washer
2	1	Nut
3	1	Hinged Joint
4	1	The T
5	1	4" x 4" Strongback
6	1	Mattress, Blanket or stuffed canvas
7	1	Backing Plate

**PATCHING/PLUGGING EVOLUTION - SKETCH #006**  
**Folding T-Patch**

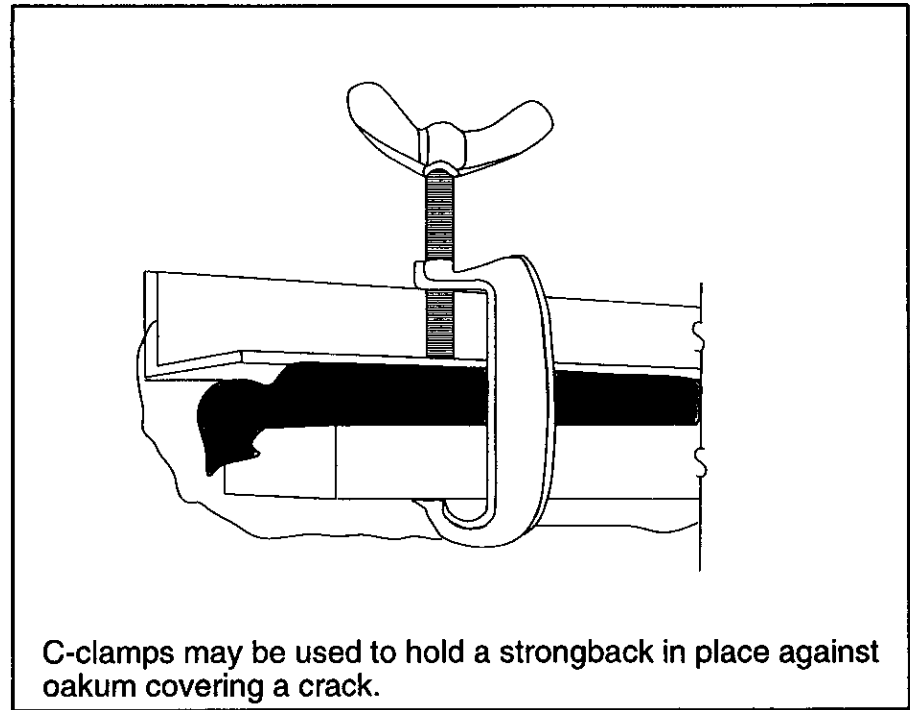
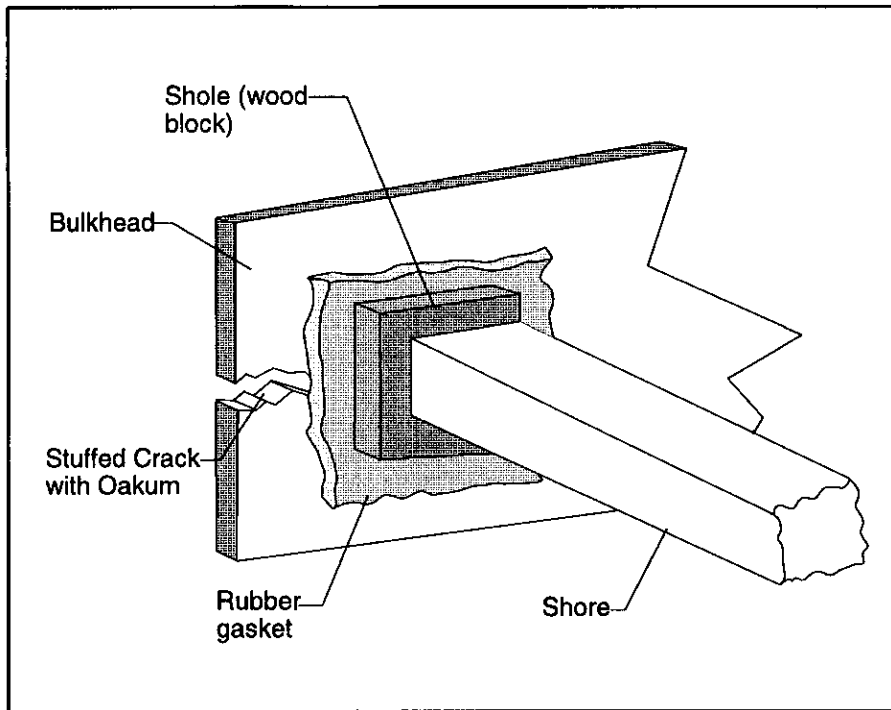


**PATCHING/PLUGGING EVOLUTION - SKETCH #007**  
**Plate Patch**



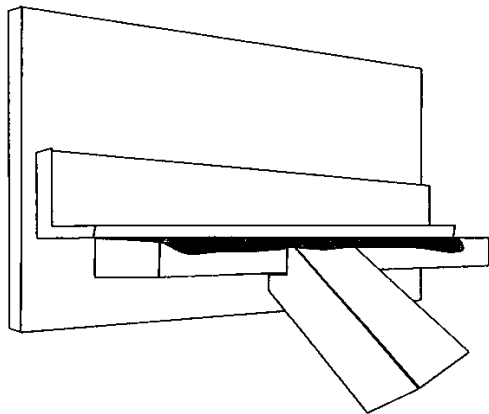


**PATCHING/PLUGGING EVOLUTION - SKETCH #008**  
**Bucket Patch**

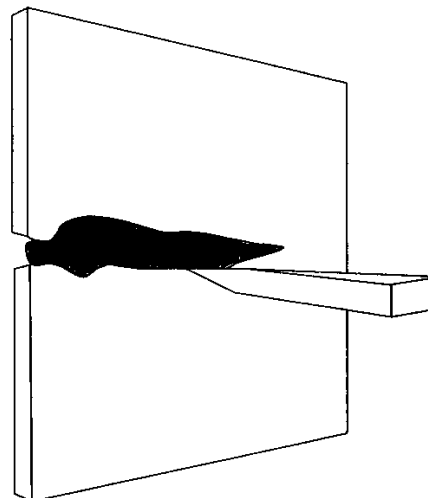


**PATCHING/PLUGGING EVOLUTION - SKETCH #009**  
**Patching and Sealing Crack**

**CAULKING THIN PLATING**

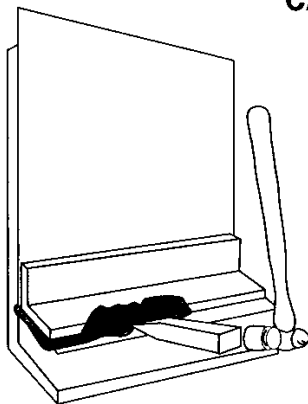


Stop leak under welded frames by bracing oakum or cloth against cracks.

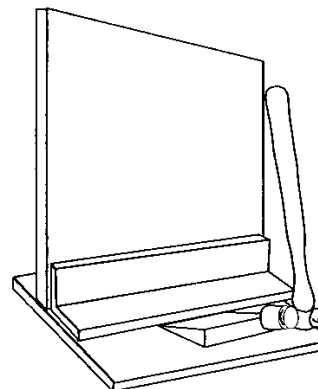


Partially stop leak by driving oakum, marline, or rags into small cracks.

**CAULKING TORN SEAMS**

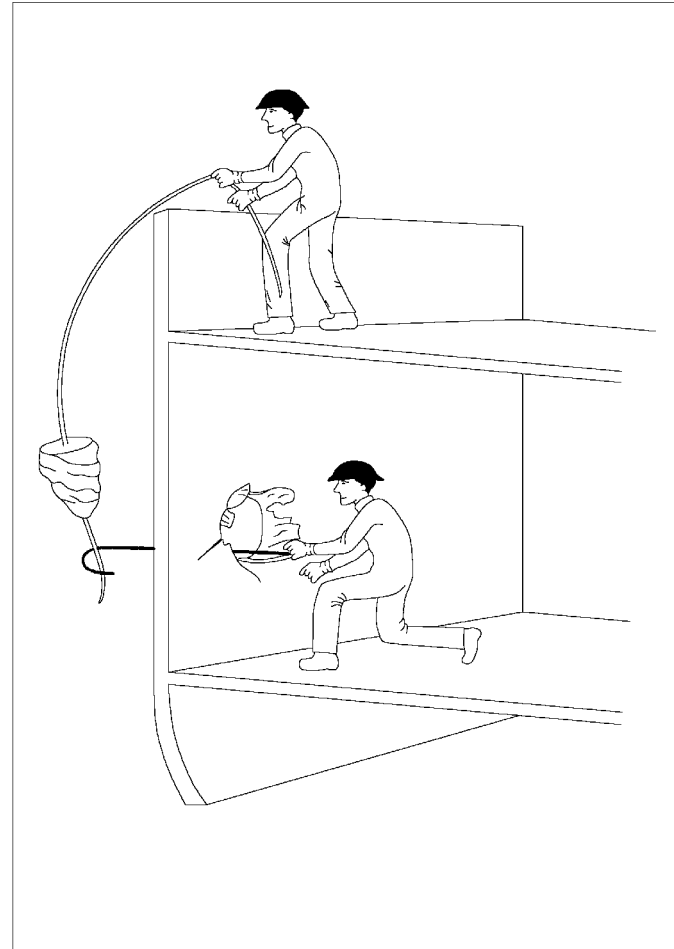
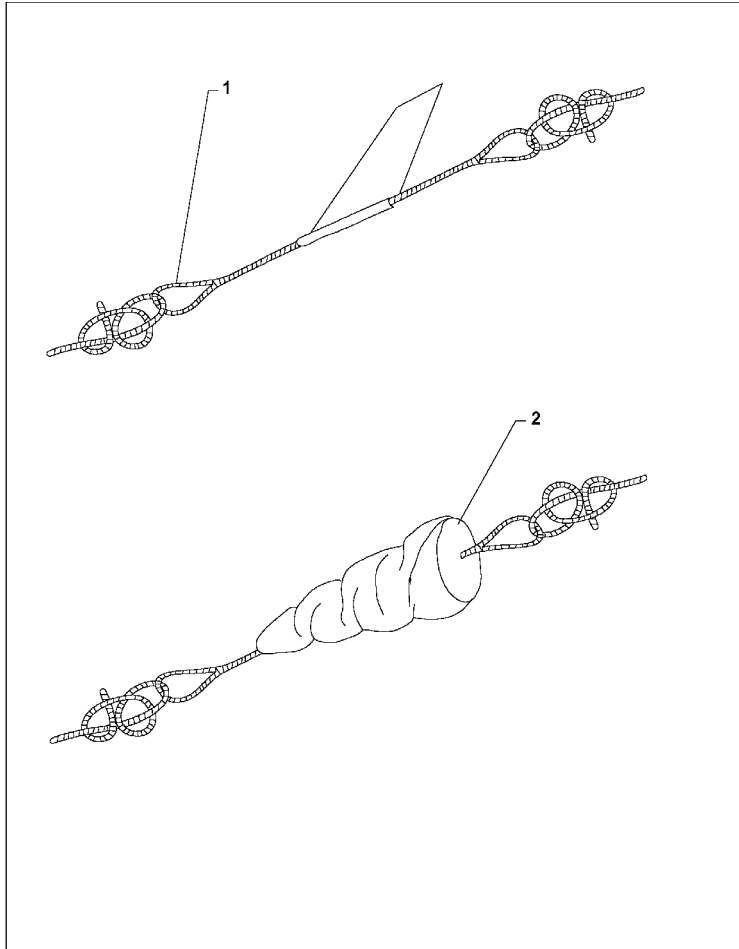


Pack oakum under angle iron to stop leak.



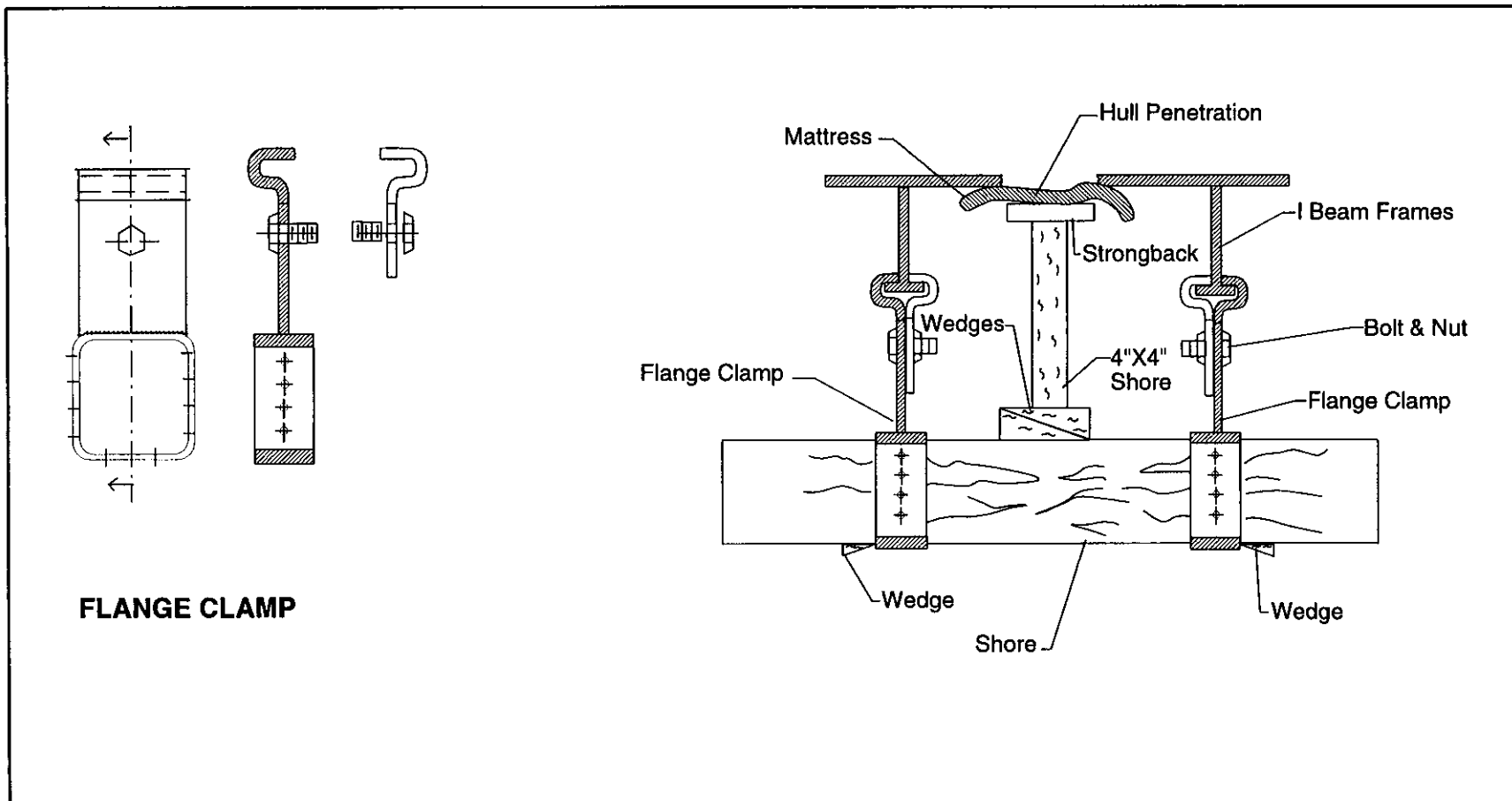
A wedge to be driven home must be of soft wood in order not to open the seam.

**PATCHING/PLUGGING EVOLUTION - SKETCH #010**  
**Caulking Thin Plating and Torn Seams**



ITEM	qty	EQUIPMENT
1	1	Heavy line with eye at each end
2	1	Cloth/blanket

**PATCHING/PLUGGING EVOLUTION - SKETCH #011**  
**Cloth Patch**



**PATCHING/PLUGGING EVOLUTION - SKETCH #012**  
**Emergency Leak Plugging Using Flange Clamp**