

PORTABLE ACCESS RESCUE SYSTEM (PARS) KIT

AEL Range: 2-880044276

Shipboard survivability improvement. NDI introduced three manufacturers during Operation Desert Storm. Stowage can be near weather deck access within DCRS area of responsibility, in passageways or in the Crash and Rescue Locker. A laminated inventory list should be provided with this kit.

PORTABLE HYDRAULIC ACCESS / RESCUE SYSTEM (PHARS) KIT

Quantity
Required

1HM 0000-LL-CQA-3817

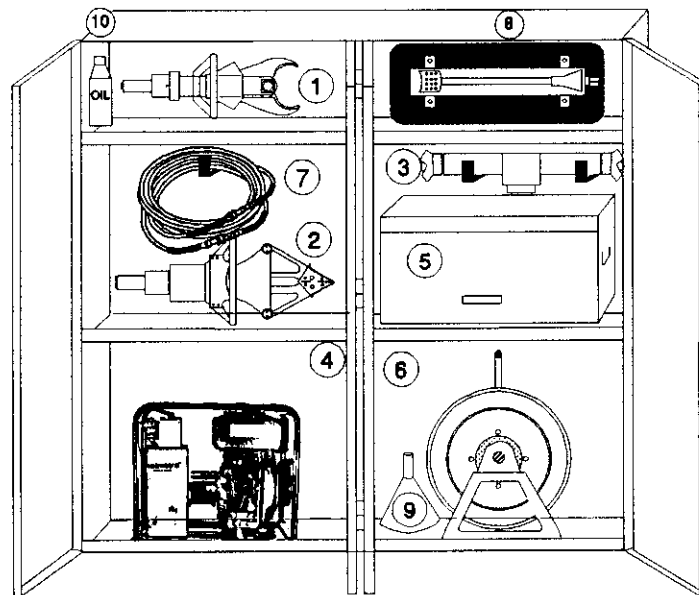
HOLMATRO TOOLS

1
(See
Hints)

This kit identifies all equipment used for the function of emergency access and personnel rescue during damage control and rescue and assistance operations, when the use of flame/spark producing equipment may not be appropriate. Each ship should have at least one PHARS kit. Items are listed on AEL #2-884444276.

EQUIPMENT DESCRIPTION	DIMENSIONS	LBS	IN ³
1. Cutter	30.75"L x 8.75"W x 5"H	35.0	1345
2. Spreader	35"L x 12"W x 8.5"H	49.0	3570
3. Extension Ram	30.25"L x 4.75"W x 17"H	36.0	2443
4. Engine	21"L x 16"W x 22"H	80.0	7392
5. Box. Tool Kit	36"L x 16"W x 18"H	10.0	1260
6. Hose Reel - 100'	16.5"L x 14"W x 18"H	63.0	4158
7. Extension Hose, 1 x 16'	24"L x 18"W x 3"H	6.0	1296
8. Foot Valve	30"L x 10"W x 5"H	22.0	1500
9. Funnel	8"L x 4"W x 4"H	0.5	128
10. Oil, case - 7 quarts (1 quart illustrated)		13.0	572

- NOTES: 1. Spare hydraulic fluid (7 qts.) stored as designated by DCA.
2. Illustration is for general storage guidance only.



PORTABLE HYDRAULIC ACCESS / RESCUE SYSTEM (PHARS) KIT

Quantity
Required

1HM 0000-LL-CQA-3817

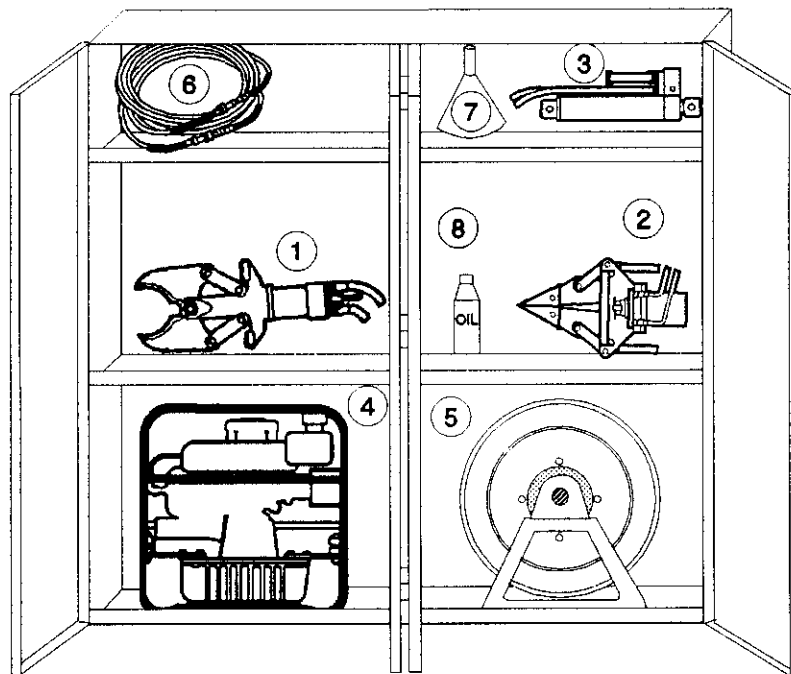
PHOENIX TOOLS

1
(See
Hints)

This kit identifies all equipment used for the function of emergency access and personnel rescue during damage control and shoreside disaster operations, where the use of flame/spark producing equipment may not be appropriate. Each ship should have at least one PHARS kit. Items are listed on AEL #2-884444276.

EQUIPMENT DESCRIPTION		DIMENSIONS	LBS	IN ³
1.	Cutter	21"L x 8"W x 5"H	12.0	840
2.	Spreader	31"L x 13"W x 8"H	48.0	3224
3.	Extension Ram	25"L x 7"W x 3"H	28.0	525
4.	Engine	22"L x 20"W x 20"H	95.0	8800
5.	Hose Reel - see Note 2	21"L x 18"W x 18"H	63.0	6804
6.	Extension Hose, 1 x 15'	24"L x 16"W x 3"H	6.0	1152
7.	Funnel	8"L x 4"W x 4"H	0.5	128
8.	Oil, case - 7 quarts (1 quart illustrated)		13.0	512

- NOTES: 1. Spare hydraulic fluid (7 qts.) stored as designated by DCA.
2. 100' hose with manifold attached to hose (optional).



PORTABLE HYDRAULIC ACCESS / RESCUE SYSTEM (PHARS) KIT

Quantity
Required

1HD 0000-LL-CQA-3817

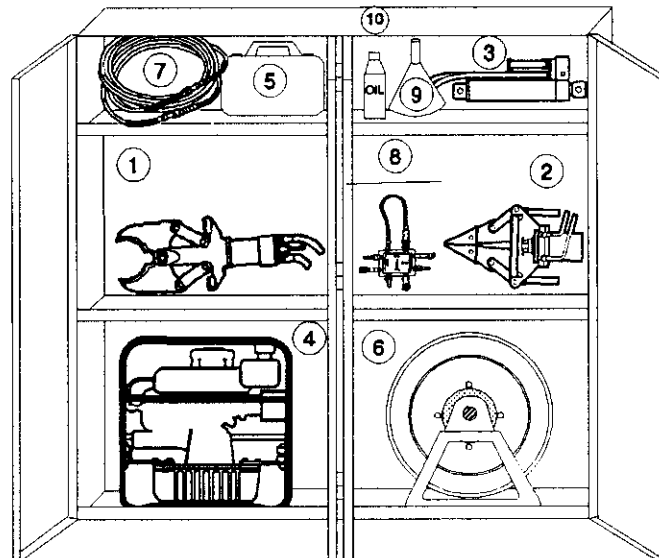
HURST TOOLS

1
(See
Hints)

This kit identifies all equipment used for the function of emergency access and personnel rescue during damage control and shoreside disaster operations, where the use of flame/spark producing equipment may not be appropriate. Each ship should have at least one PHARS kit. Items are listed on AEL #2-884444276.

EQUIPMENT DESCRIPTION		DIMENSIONS	LBS	IN ³
1.	Cutter	31½"H x 11½"W x 7"D	36.0	2536
2.	Spreader	24.3"H x 14"W x 8½"D	48.0	2892
3.	Extension Ram	23"H x 7"W x 3"D	28.0	483
4.	Engine	22"H x 20"W x 20"D	95.0	8800
5.	Attachment Case	11"H x 15¾"W x 3"D	8.0	507
6.	Hose Reel - 100' with Manifold attached to hose	18"H x 16½"W x 16½"D	63.0	4901
7.	Extension Hose, 1 x 16'	24"H x 18"W x 3"D	6.0	1296
8.	Multiple Connection Manifold	15"H x 9½"W x 5"D	10.0	713
9.	Funnel	8"H x 4"W x 4"D	0.5	128
10.	Oil, case - 7 quarts (1 quart illustrated)		13.0	512

NOTES: 1. Spare hydraulic fluid (7 qts.) stored as designated by DCA.



Helpful Hints:

Stowed near weather deck access at the DCRS or within the DCRS zone of responsibility. A laminated kit inventory is to be attached to this kit. Three manufacturers have been listed that provide PHARS to the Fleet. You will only have one.

Actual Inventory:

PORTABLE ELECTRIC ALL PURPOSE RESCUE KIT (PEARS)

Quantity
Required

3HD 4210-01-512-2678

Helpful hints: PEARS is being outfitted on new construction ships and is authorized to replace the PHARS as NAVSEA funds are available.

1
(See
Hints)

Actual Inventory: