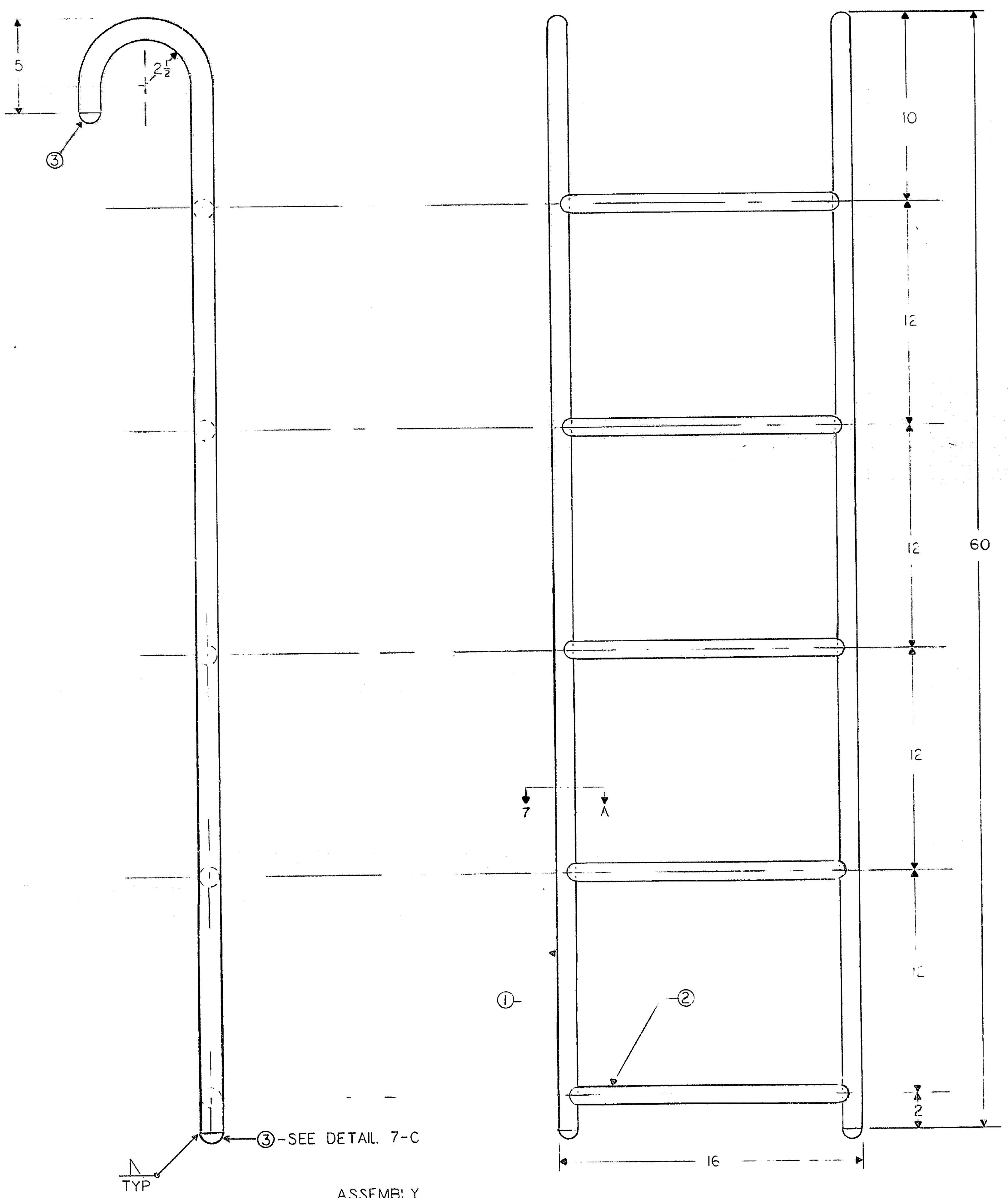
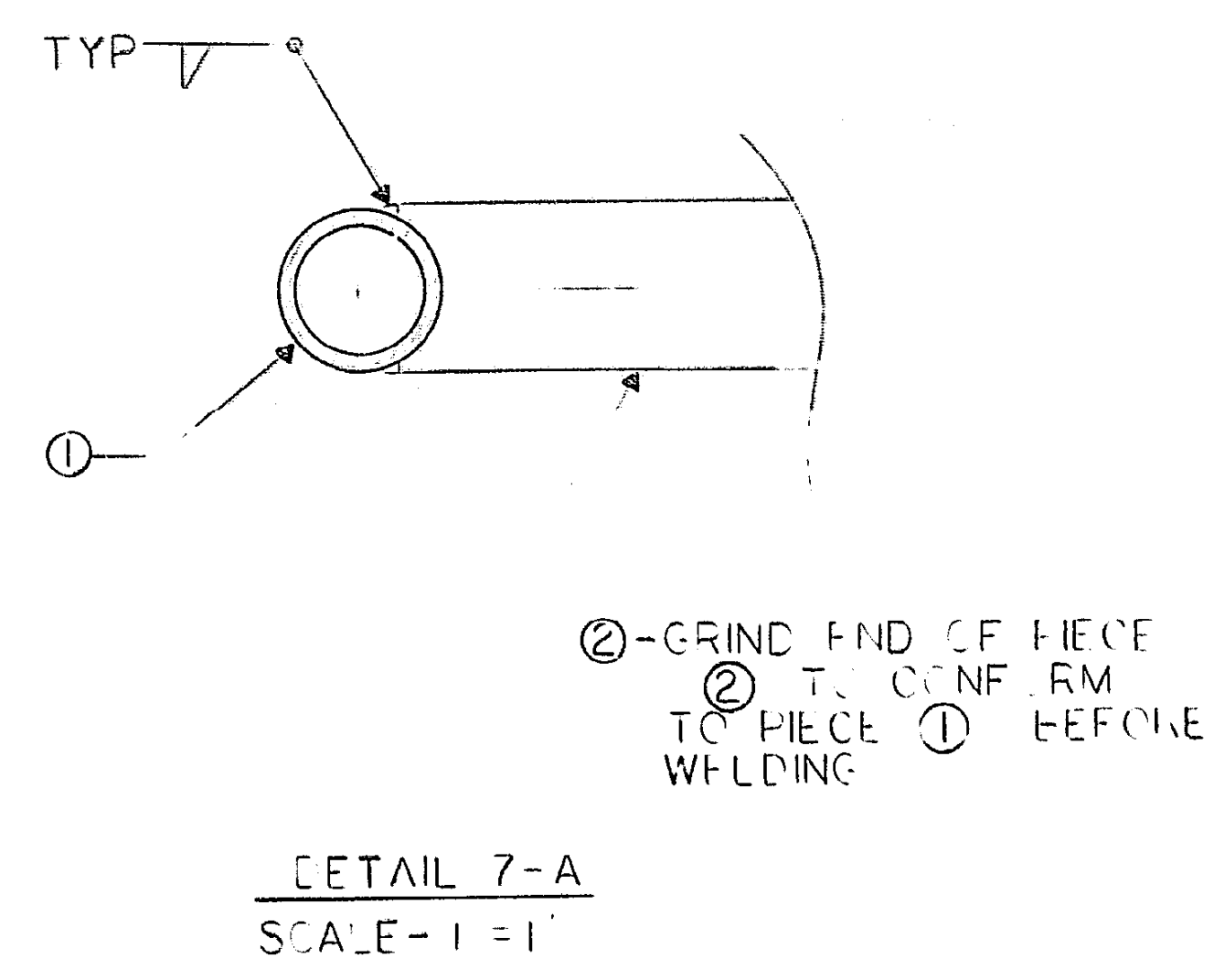
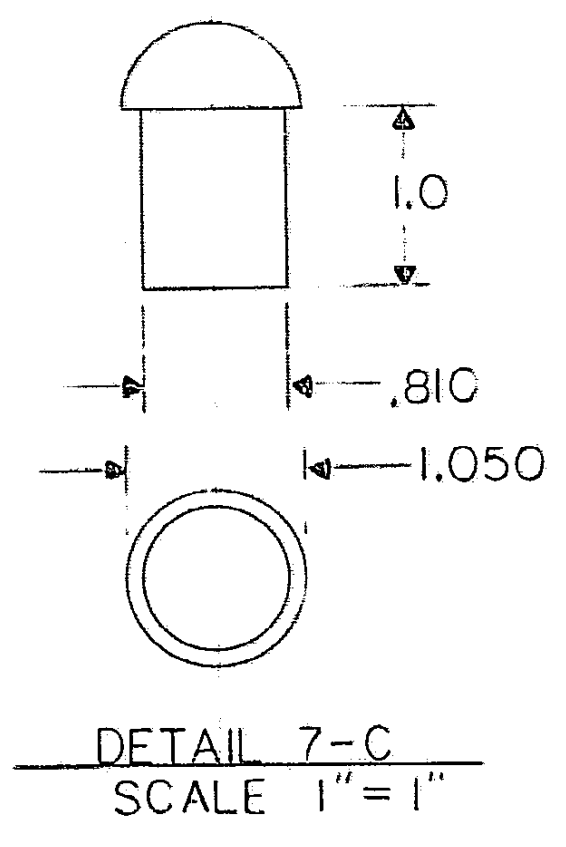


LIST OF MATERIALS					
PIECE#	QNTY	DESCRIPTION	MATERIAL	MATL. SPEC.	REMARKS
①	2	SIDE	3/4" SCHEDULE 40 STEEL PIPE	ASTM-A53	BLACK
②	5	STEP	3/4" SCHEDULE 40 STEEL PIPE	ASTM-A53	BLACK
③	4	PLUG	ORDINARY STEEL ROD TYPE 1010	ASTM-A108	SEE DETAIL 7-C

REVISIONS			
REV	DESCRIPTION	DATE	APPROVED



- GENERAL NOTES
1. THIS DRAWING DEPICTS A SCALING LADDER WHICH IS USED AS A PORTABLE LADDER DURING DAMAGE CONTROL OPERATIONS.
 2. ALL DIMENSIONS ARE IN INCHES.
 3. BREAK AND DEBURR ALL SHARP EDGES.
 4. COAT ENTIRE ASSEMBLY WITH PLASTISOL IN ACCORDANCE WITH MIL-P-20689 TO IMPROVE GRIP AND TO PROVIDE ELECTRICAL INSULATION.
 5. ALL WELDS ARE TO BE TIG WELDS AND SHALL BE VISUALLY INSPECTED TO ASSURE THAT THERE ARE NO CRACKS, SEVERE UNDERCUTTING OR GAPS IN THE WELD.
 6. PLUG END AS SHOWN FOR WATERTIGHTNESS AND IMPROVED PLASTISOL ADHESION
 7. THIS DRAWING IS NOT FOR USE BY THE SUPPLY SYSTEM FOR PROCUREMENT PURPOSES.



ASSEMBLY
SCALE 1"=3"

UNLESS OTHERWISE NOTED, DIMENSIONS ARE IN INCHES		SIGNATURE		DATE	DEPARTMENT OF THE NAVY		WASHINGTON, D.C. 20382
TOLERANCES ARE IN ACCORDANCE WITH COMMERCIAL PRACTICE UNLESS OTHERWISE INDICATED ON DRAWING.		PREPARED BY: [Signature]		DATE: 8-1-68	NAVAL SEA SYSTEMS COMMAND		
CONTRACT NO.		PROJ ENGR		BR. HD	LADDER SCALING FOR DAMAGE CONTROL		
PREP ACTIVITY		GR DEP DIR		DATE	SIZE: F	FORM NO.: 53711	DRAWING NO.: 804-5360241
APPROVED FOR COR NAVSEA		DATE		SCALE: AS SHOWN	MASS (WEIGHT): 18.9 LBS.	SHEET 1	OF 1