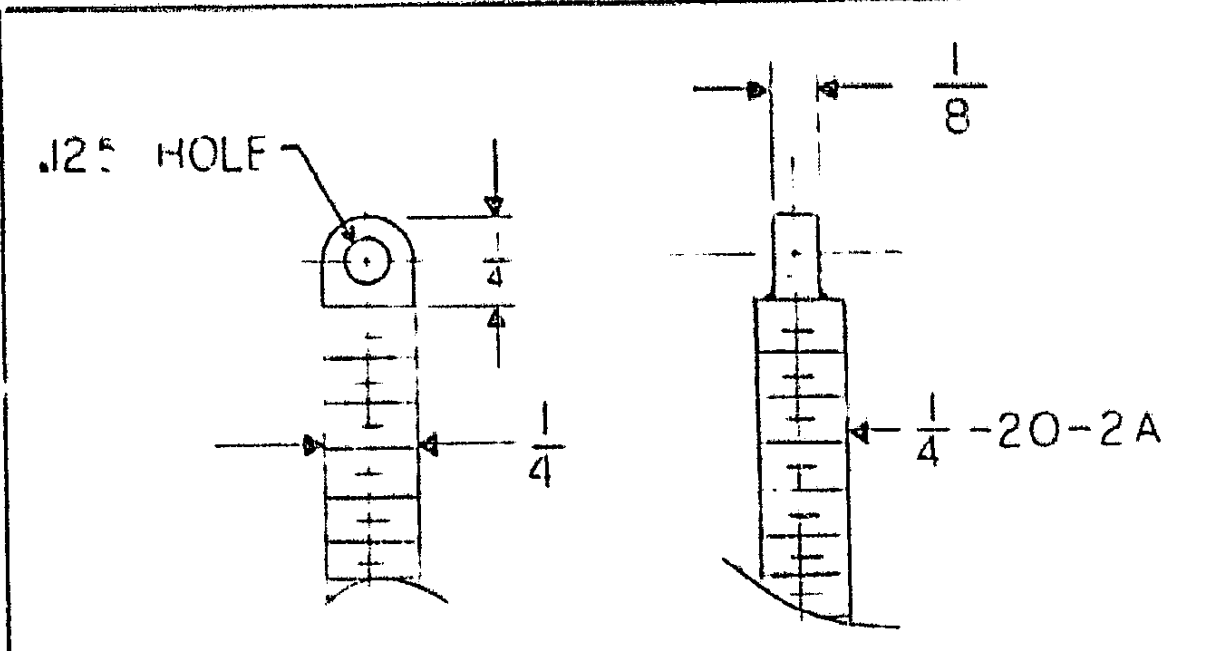
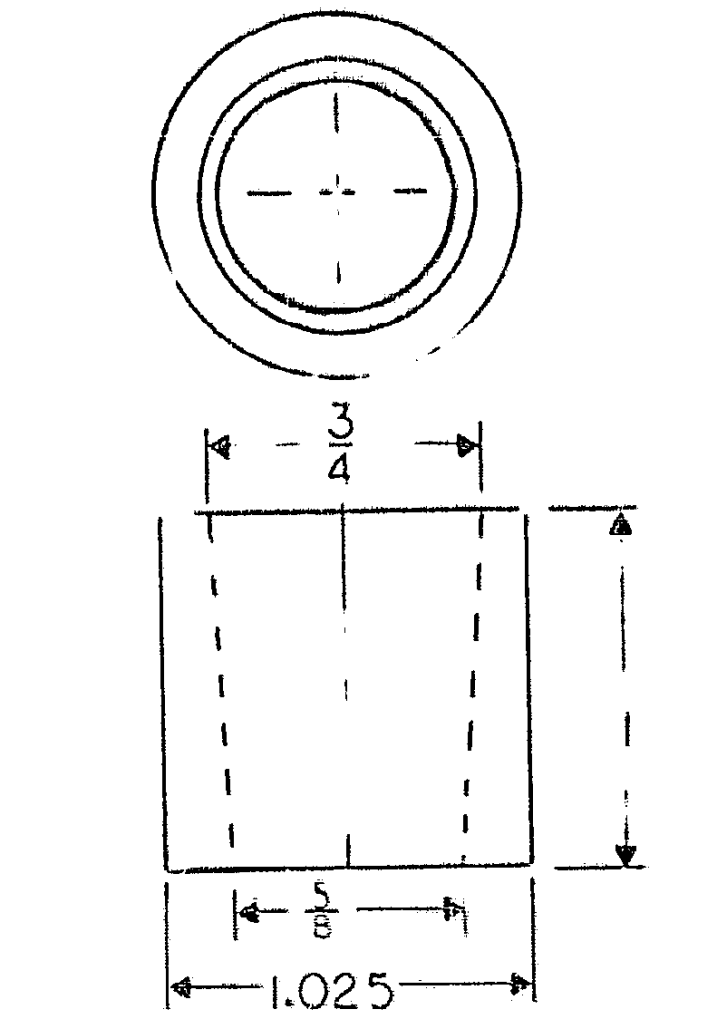


LIST OF MATERIAL					
PIECE #	QNTY	DESCRIPTION	MATERIAL	MATL. SPEC.	REMARKS
1	1	1" COPPER TUBING	COPPER	FS-146	TYPE L
2	1	1/4" BRASS ROD	BRASS	QQ-B-637	FROM RND. STK.
3	4	1/4"-20-NUTS	BRASS	MS-51922	SELF-LOCKING
4	2	BRASS SEAT	BRASS	QQ-B-637	FROM RND. STK.
5	2	TEFLON PLUG	TEFLON	MIL-P-19468	FROM RND. STK.
6	1	BAIL	304 CRES	QQ-S-763	FROM 1/8" ROD

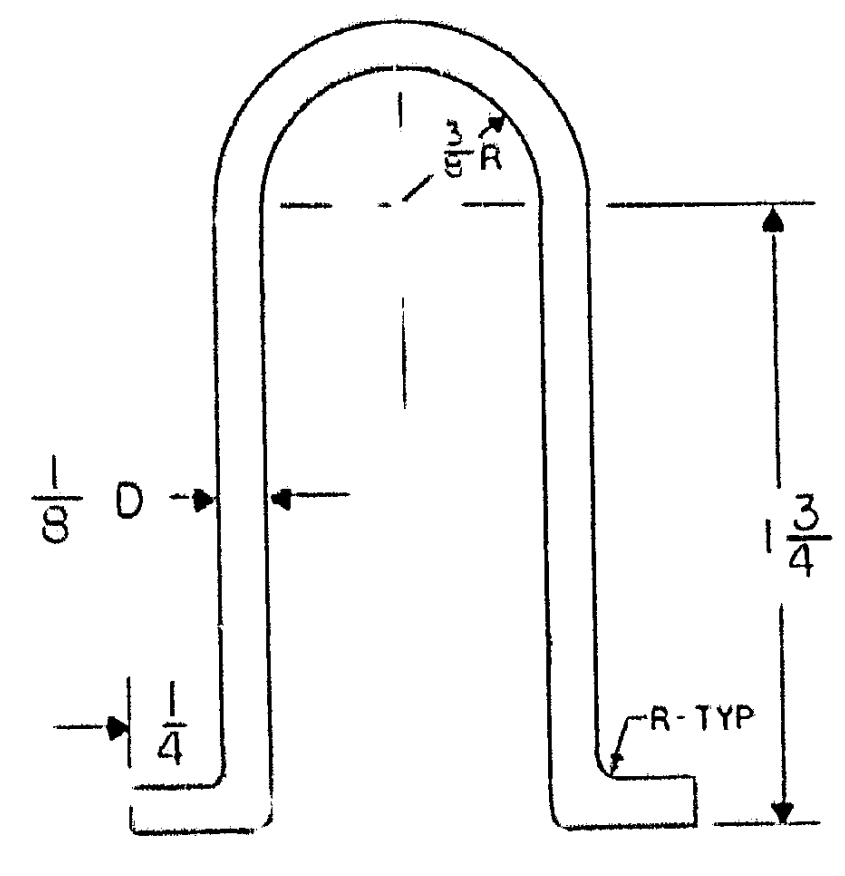
REVISIONS			
REV	DESCRIPTION	DATE	APPROVED



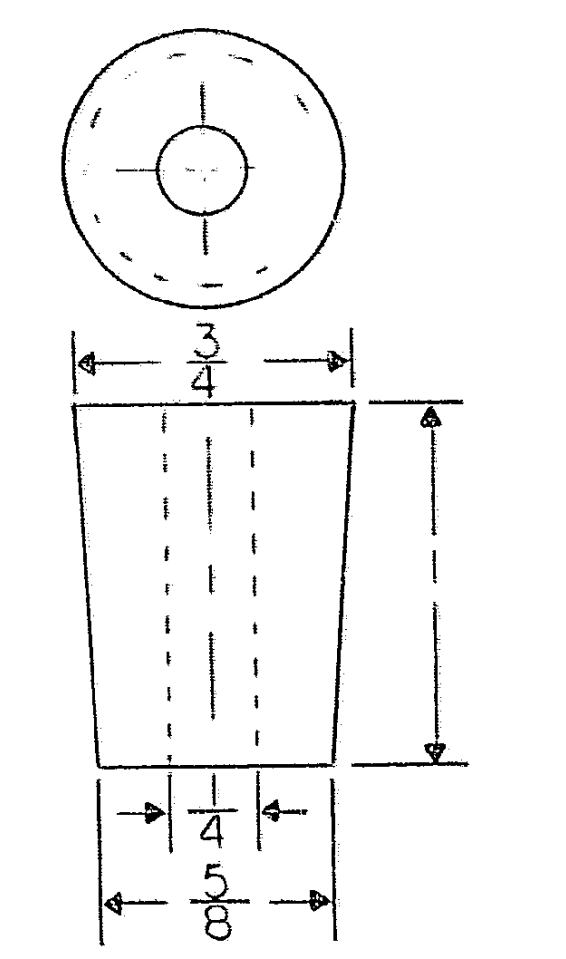
DETAIL 7-E-ROD END
SCALE: 2"=1"



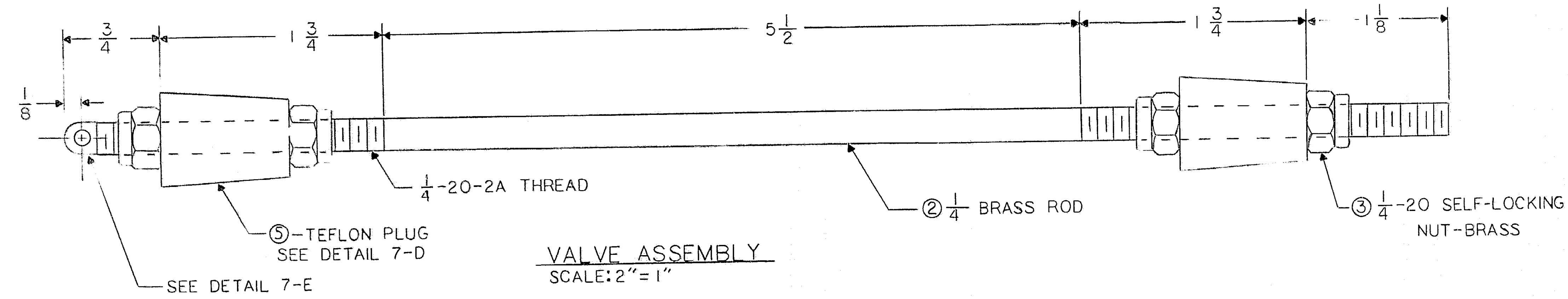
DETAIL 6-E-BRASS SEAT
SCALE: 2"=1"



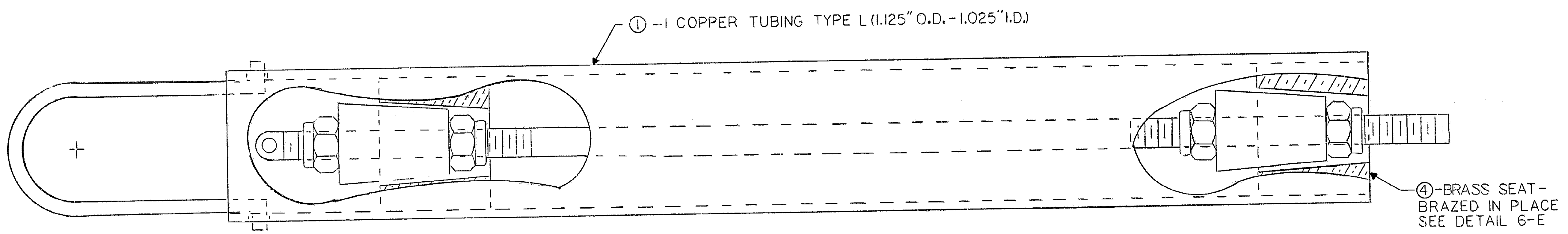
DETAIL 5-E-BAIL
SCALE: 2"=1"



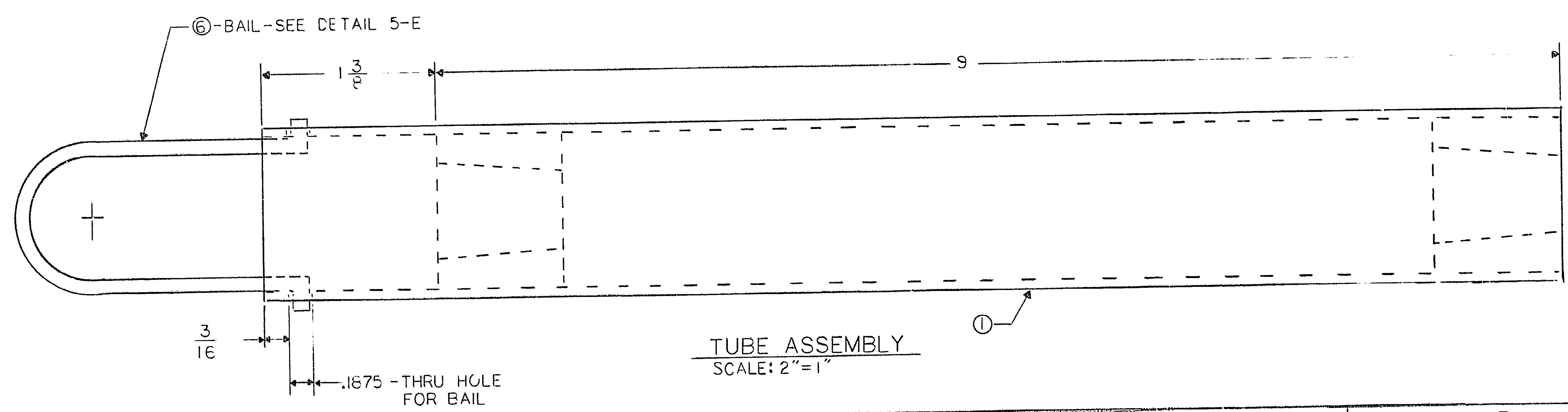
DETAIL 7-D-TEFLON PLUG
SCALE: 2"=1"



VALVE ASSEMBLY
SCALE: 2"=1"



ASSEMBLY
SCALE: 2"=1"



TUBE ASSEMBLY
SCALE: 2"=1"

- GENERAL NOTES
1. THIS DRAWING DEPICTS A SAMPLER-THIEF WHICH IS USED TO TAKE LIQUID SAMPLES FROM THE SOUNDING TUBES OF TANKS.
 2. ALL DIMENSIONS ARE IN INCHES.
 3. ALL MATERIALS MUST BE NON-MAGNETIC, NON-SPARKING AND SAFE FOR USE IN PETROLEUM DISTILLATES
 4. BREAK AND DEBURR ALL SHARP EDGES
 5. THIS DRAWING IS NOT FOR USE BY THE SUPPLY SYSTEM FOR PROCUREMENT PURPOSES.

UNLESS OTHERWISE NOTED, DIMENSIONS ARE IN INCHES		PREPARED	SIGNATURE	DATE	DEPARTMENT OF THE NAVY
TOLERANCES ARE IN ACCORDANCE WITH COMMERCIAL PRACTICE UNLESS OTHERWISE INDICATED ON DRAWING.		CHECKED			WASHINGTON, D.C. 20382
CONTRACT NO.		NAVY APPROVAL		NAVAL SEA SYSTEMS COMMAND	
PRER ACTIVITY		PROJ ENGR		SAMPLER-THIEF FOR DAMAGE CONTROL	
NAVSEA		BR. HD		DRAWING NO.	
FSCM		DIV. DIR		F 53711	
APPRO FOR CDR NAVSEA		GR DEP DIR		DRAWING NO.	
DATE		DATE		804-5959238	
SCALE: AS SHOWN		MATERIAL		2.10 LBS.	
				SHEET 1 OF 1	

5059238 804