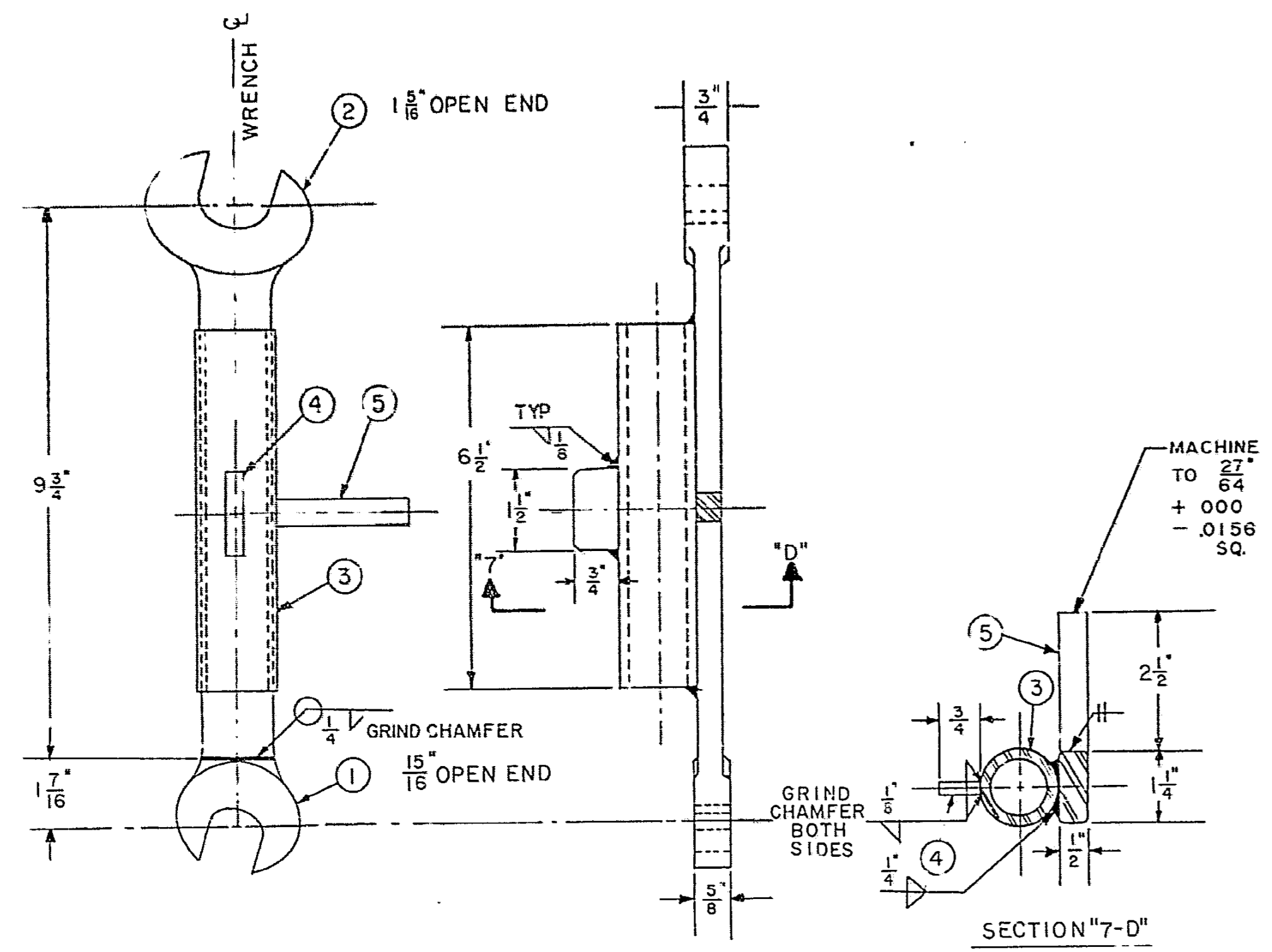


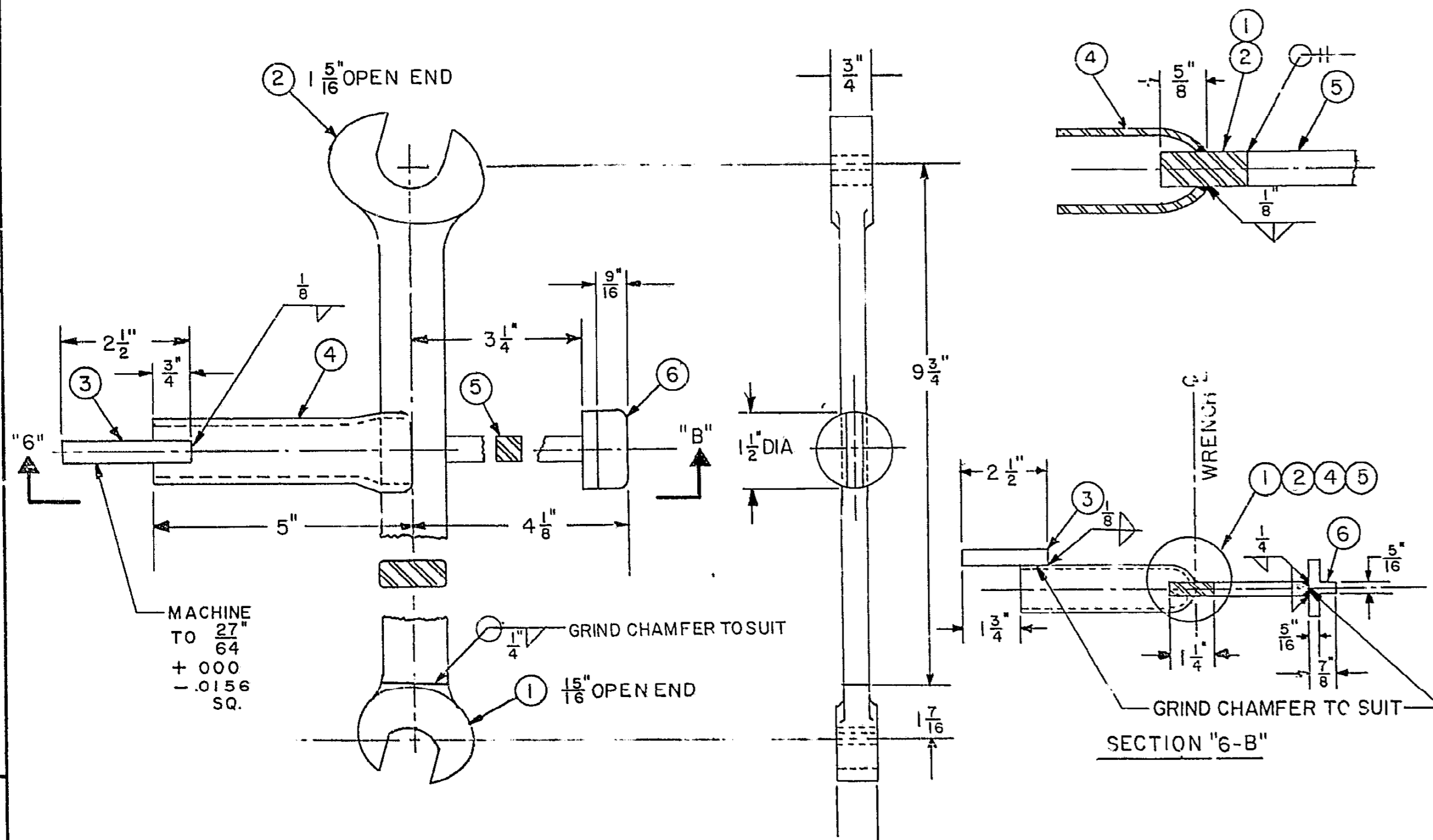
ZONE		REVISIONS		DATE	APPROVED
LTR		DESCRIPTION			

LIST OF MATERIALS

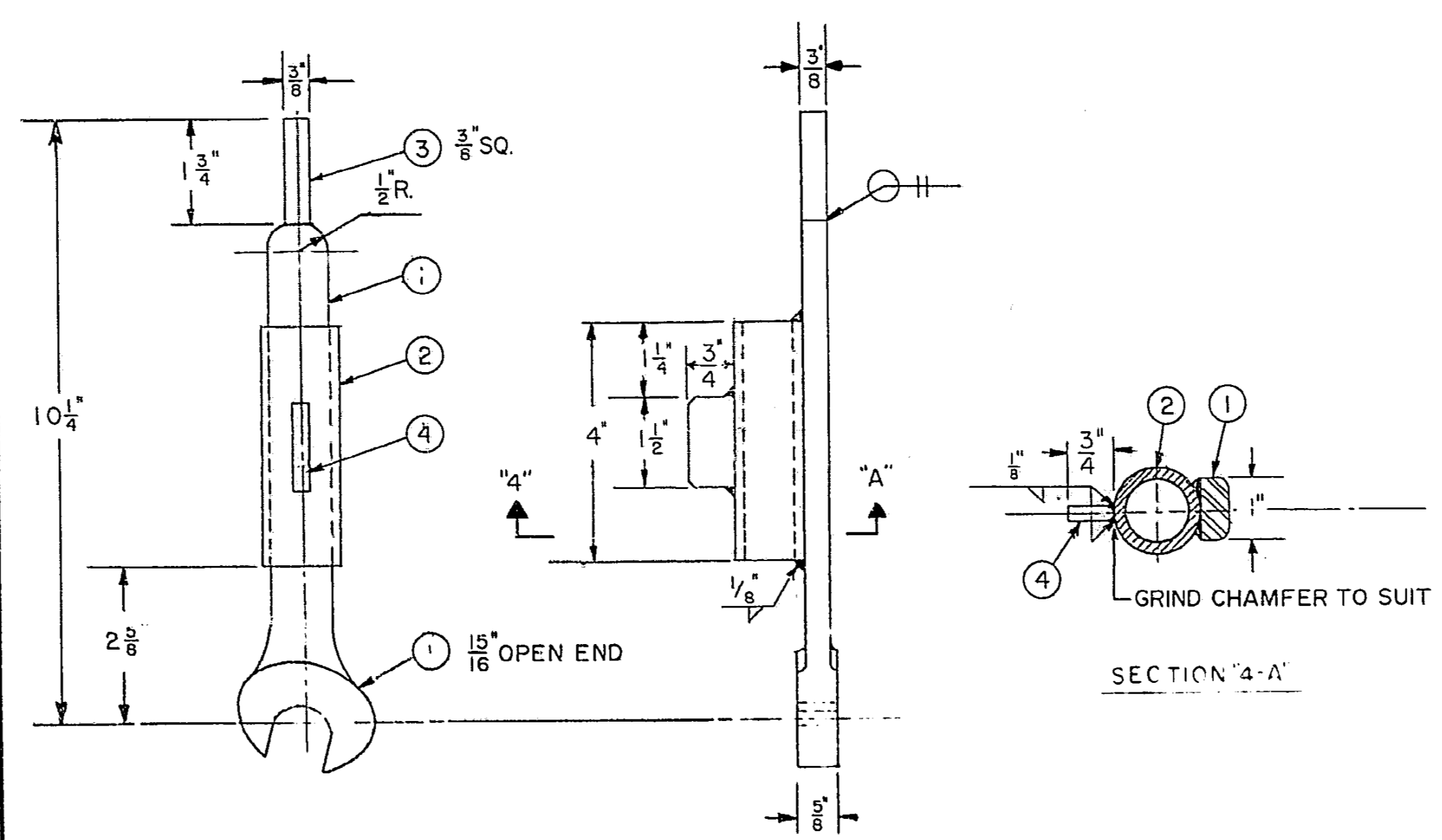
PC. NO.	DESCRIPTION	QTY	MATERIAL	SPECIFICATION	STOCK NO.	REMARKS
1	WRENCH	1	FORGE STEEL			OPEN END (AS PROCURED)
2	WRENCH	1				
3	1" NPS PIPE	1	OS			SCHEDULE 40 L- 6 1/2"
4	12.75 # PLATE 5/16 TK	2	OS			3/4" WIDE L- 1 1/2"
5	SQUARE STOCK, KEY	2	CR			1/2" X 1/2" L- 2 1/2"
TYPE 1						
1	WRENCH	1	FORGE STEEL			OPEN END (AS PROCURED)
2	WRENCH	1				
3	SQUARE STOCK, KEY	2	CR			1/2" X 1/2" L- 2 1/2"
4	1" NPS PIPE	1	OS			SCHEDULE 40 L- 5"
5	SQUARE STOCK, KEY	1	OS			1/2" X 1/2" L- 2 3/8"
6	ROUND STOCK	1	OS			1 1/2" DIA L- 7/8"
TYPE 2						
1	WRENCH SINGLE	1	FORGE STEEL			OPEN END (AS PROCURED)
2	1" NPS PIPE	1	OS			SCHEDULE 40 L- 4"
3	SQUARE STOCK, KEY	1	CR			3/8" X 3/8" L- 1 3/4"
4	12.75 # PLATE 5/16 TK	2	OS			3/4" WIDE L- 1 1/2"
TYPE 3						



INVESTIGATOR WRENCH TYPE 1



INVESTIGATOR WRENCH TYPE 2



INVESTIGATOR WRENCH TYPE 3

GENERAL NOTES

- THIS DRAWING DEPICTS (3) THREE TYPES OF DAMAGE CONTROL INVESTIGATOR WRENCHES WHICH CAN BE USED BY SOUNDING AND SECURITY WATCH PERSONNEL AND EMERGENCY REPAIR PARTY PERSONNEL. ANYONE OF THE THREE TYPE OF WRENCHES SHOWN CAN BE FABRICATED AT THE OPTION OF SHIPS FORCE. EACH WRENCH IS DESIGNED TO CONSOLIDATE THE FUNCTIONS OF A PIPE DOGGING WRENCH, T-DECK DRAIN WRENCH, SCUTTLE-T-WRENCH, AND A 1 5/16" DOGGING WRENCH. THE TYPES 1 AND 2 WRENCHES HAVE THE ADDITIONAL FUNCTION OF A 1 5/16" DOGGING WRENCH.
- ALL WELDS ARE TO BE VISUALLY INSPECTED. SPECIAL ATTENTION SHOULD BE GIVEN TO ASSURE THERE ARE NO CRACKS, SEVERE UNDERCUTTING OR GAPS IN THE WELD. WRENCHES ARE TO BE PAINTED AFTER INSPECTION IS COMPLETED.

STANDARD DRAWING

DEPARTMENT OF THE NAVY WASHINGTON, D.C. 20362
NAVAL SEA SYSTEMS COMMAND

**WRENCH
DAMAGE CONTROL
INVESTIGATOR
TYPES 1, 2, AND 3**

PREPARED	SIGNATURE	DATE
CHECKED		
HD ENGR		
NAVY APPROVAL		
PROJ ENGR		
BR HD		
DIV DIR		
GR DEP DIR		
APPROV FOR CDG NAVSEA	DATE	

SIZE	FSCM NO	SWBS	NAVSEA DRAWING NO	REV.
F	53711	803	5184290	—
SCALE				SH 1 OF 1