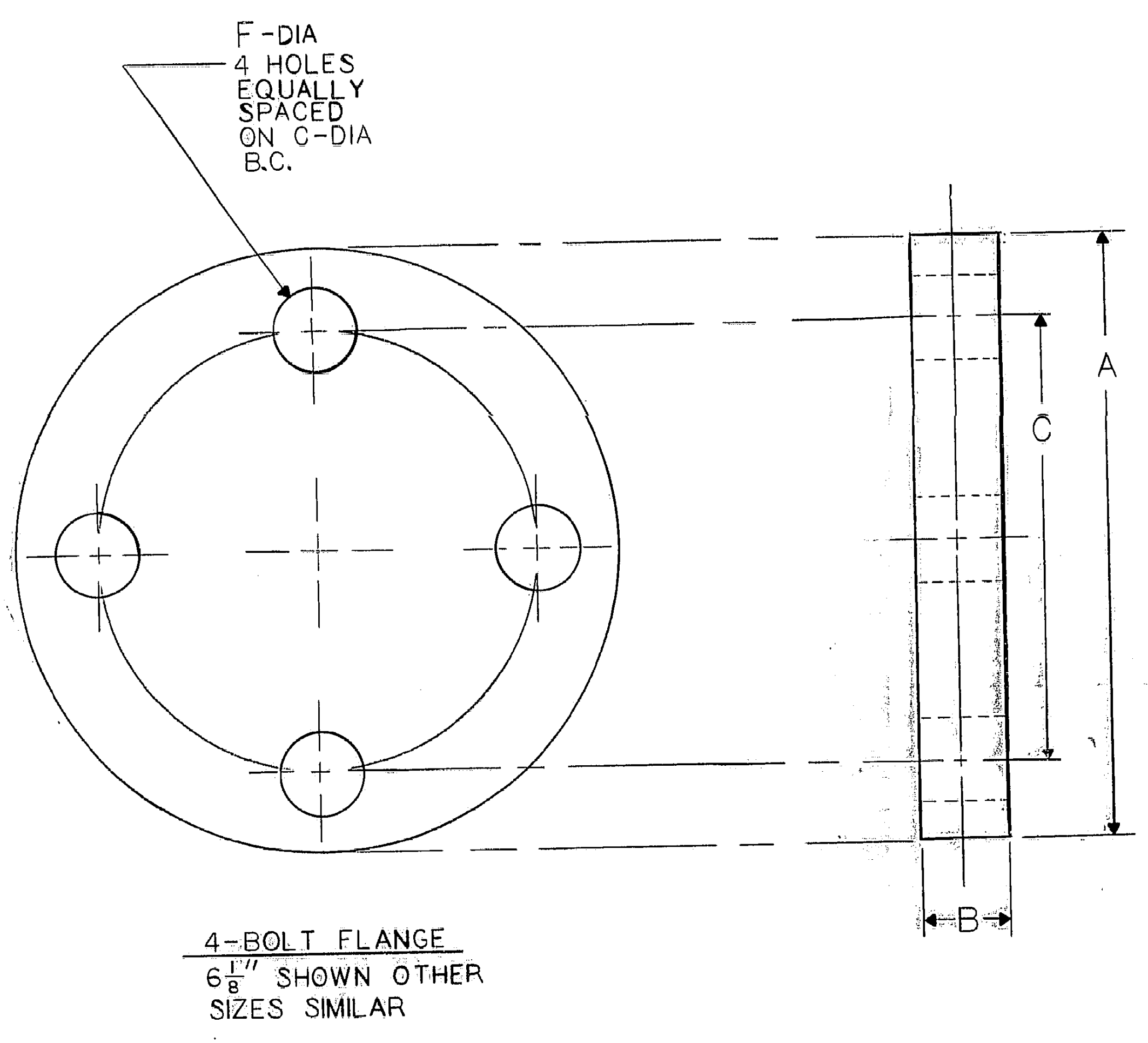


LIST OF MATERIAL			
DESCRIPTION	MATERIAL	MATL. SPEC.	REMARKS
FLANGE	ORDINARY STEEL	MIL-S-22698	GRADE DH-36

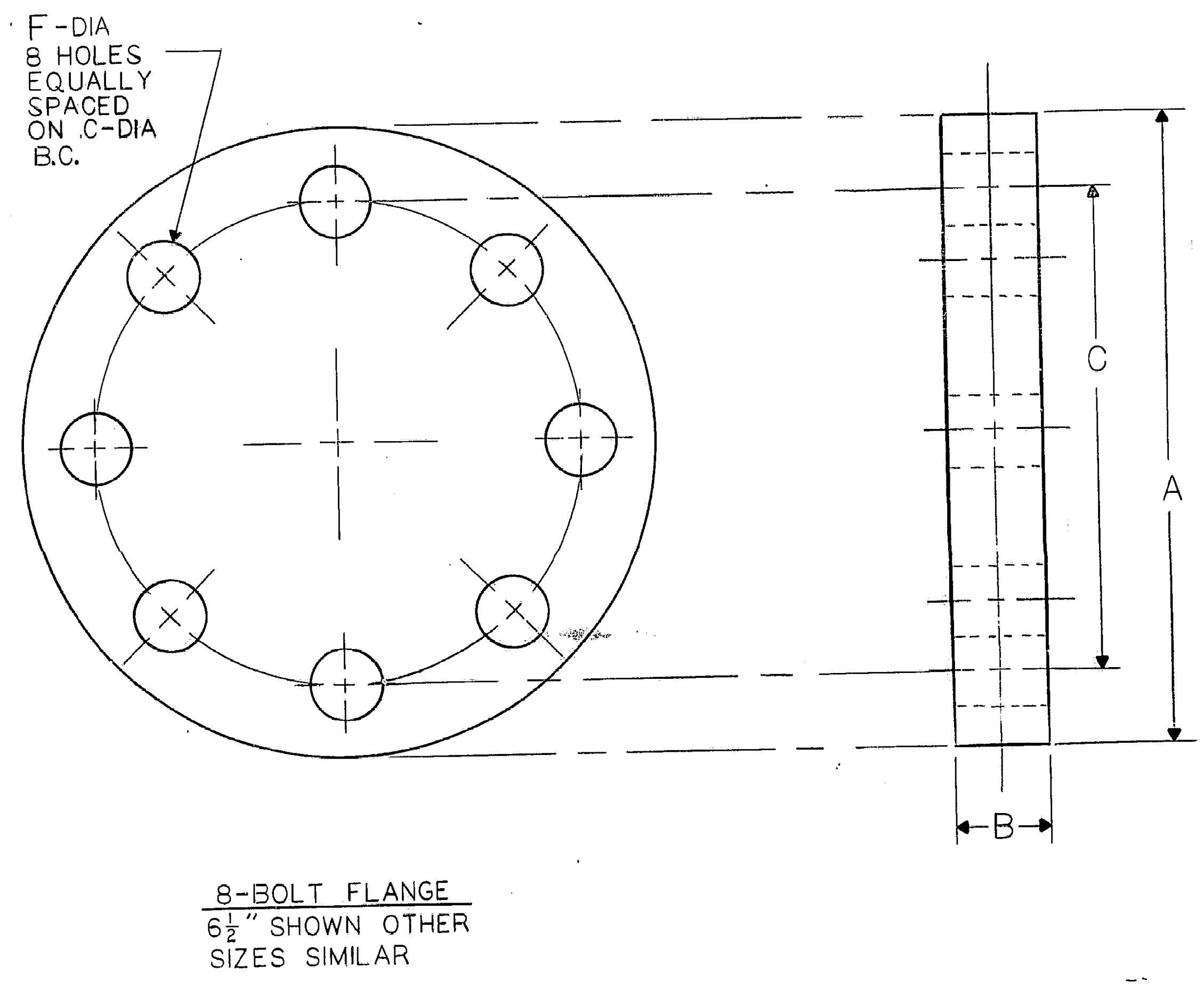
REVISIONS			
REV	DESCRIPTION	DATE	APPROVED



PIPE SIZE	TABLE OF DIMENSIONS						APPROXIMATE WEIGHT-LBS.
	A	B	C	D	E	F	
1	4 1/2	1 1/8	3 1/2	4	.625	.75	3.3
1 1/4	5 1/4	1 1/8	3 7/8	4	.625	.75	4.6
1 1/2	6 1/8	7/8	4 1/2	4	.75	.875	6.3
2	6 1/2	1	5	8	.75	.875	8.4
2 1/2	7 1/2	1 1/8	5 7/8	8	.75	.875	12.5
3	8 1/4	1 1/4	6 3/8	8	.75	.875	17.2
3 1/2	9	1 3/8	7 1/4	8	.875	1	22.3
4	10	1 3/8	7 7/8	8	.875	1	28.2

A-OUTSIDE DIAMETER
B-THICKNESS
C-BOLT CIRCLE DIAMETER
D-NUMBER OF BOLTS
E-BOLT SIZE
F-BOLT HOLE DIAMETER

- GENERAL NOTES
- THIS DRAWING DEPICTS BLANK FLANGES WHICH ARE USED TO BLANK PIPE LINES FOR REPAIR.
 - ALL DIMENSIONS ARE IN INCHES.
 - BREAK AND DEBURR ALL SHARP EDGES.
 - NOT FOR USE IN LINES EXCEEDING 400 PSI.
 - AFTER MACHINING CLEAN TO BARE METAL AND FLAME SPRAY WITH ALUMINUM IN ACCORDANCE WITH DOD-STD-2138.
 - THIS DRAWING IS NOT FOR USE BY THE SUPPLY SYSTEM FOR PROCUREMENT PURPOSES.



UNLESS OTHERWISE NOTED, DIMENSIONS ARE IN INCHES		PREPARED	SIGNATURE	DATE	DEPARTMENT OF THE NAVY	WASHINGTON, D.C. 20382
TOLERANCES ARE IN ACCORDANCE WITH COMMERCIAL PRACTICE UNLESS OTHERWISE INDICATED ON DRAWING.		CHECKED			NAVAL SEA SYSTEMS COMMAND	
CONTRACT NO.		DIV. DIR.	SIZE	PCCH NO.	SWBS	DRAWING NO.
PREP. ACTIVITY		OR. DEP. DIR.	SCALE	1"	804-5959235	804-5959235
DRAWING NO.		FLANGES - BLANK 1" TO 4" FOR DAMAGE CONTROL				

5959235 804